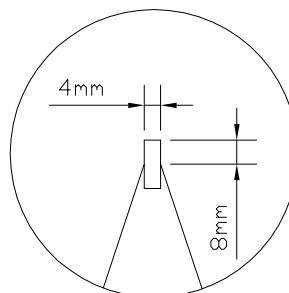
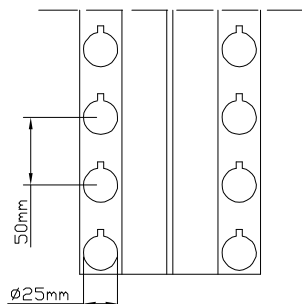
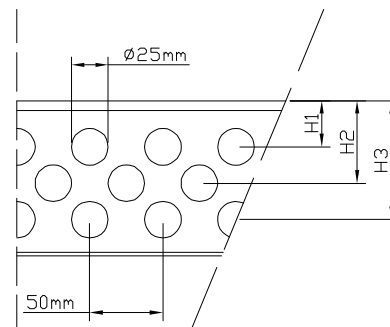
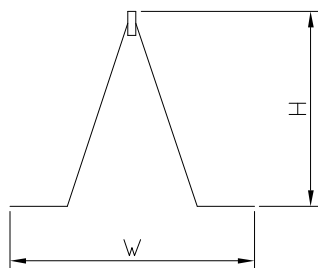


Technical Information

Combiform is available in 2,2m.
Tolerances: Length +/- 10mm, Height +/- 5mm

| Product | Article nr | H (mm) | W (mm) | H1 (mm) | H2 (mm) | H3 (mm) | Weight (kg) / 2,2m Rail |
|---------|------------|--------|--------|---------|---------|---------|----------------------------|
| C25 | 23C2522 | 25 | 80 | --- | --- | --- | 1,8 |
| C45 | 23C4522 | 45 | 90 | 30 | --- | --- | 2,0 |
| C65 | 23C6522 | 65 | 105 | 28 | 47 | --- | 2,3 |
| C85 | 23C8522 | 85 | 115 | 31 | 49 | 67 | 2,8 |
| C105 | 23C10522 | 105 | 130 | 32 | 53 | 88 | 3,5 |
| C125 | 23C12522 | 125 | 135 | 32 | 64 | 109 | 4,2 |
| C145 | 23C14522 | 145 | 160 | 32 | 75 | 127 | 5,0 |

Material: Rail - Coldrolled DC01 , Top strip – Polyethylene



Important! Combiform have no load bearing function
Important to read manual before using Combiform
All Combiform products are patented