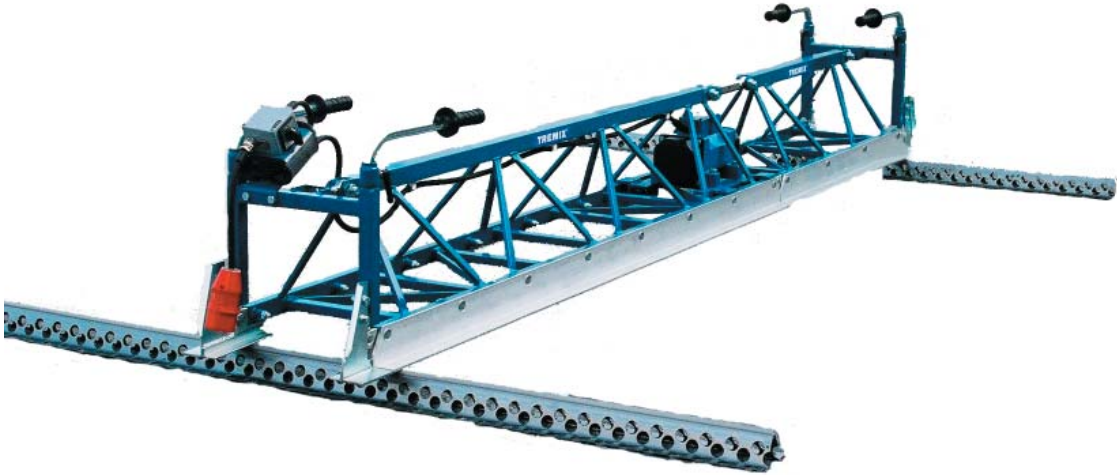


Tremix VIBROFLEX



SPARE PART LIST

TREMIX VIBROFLEX

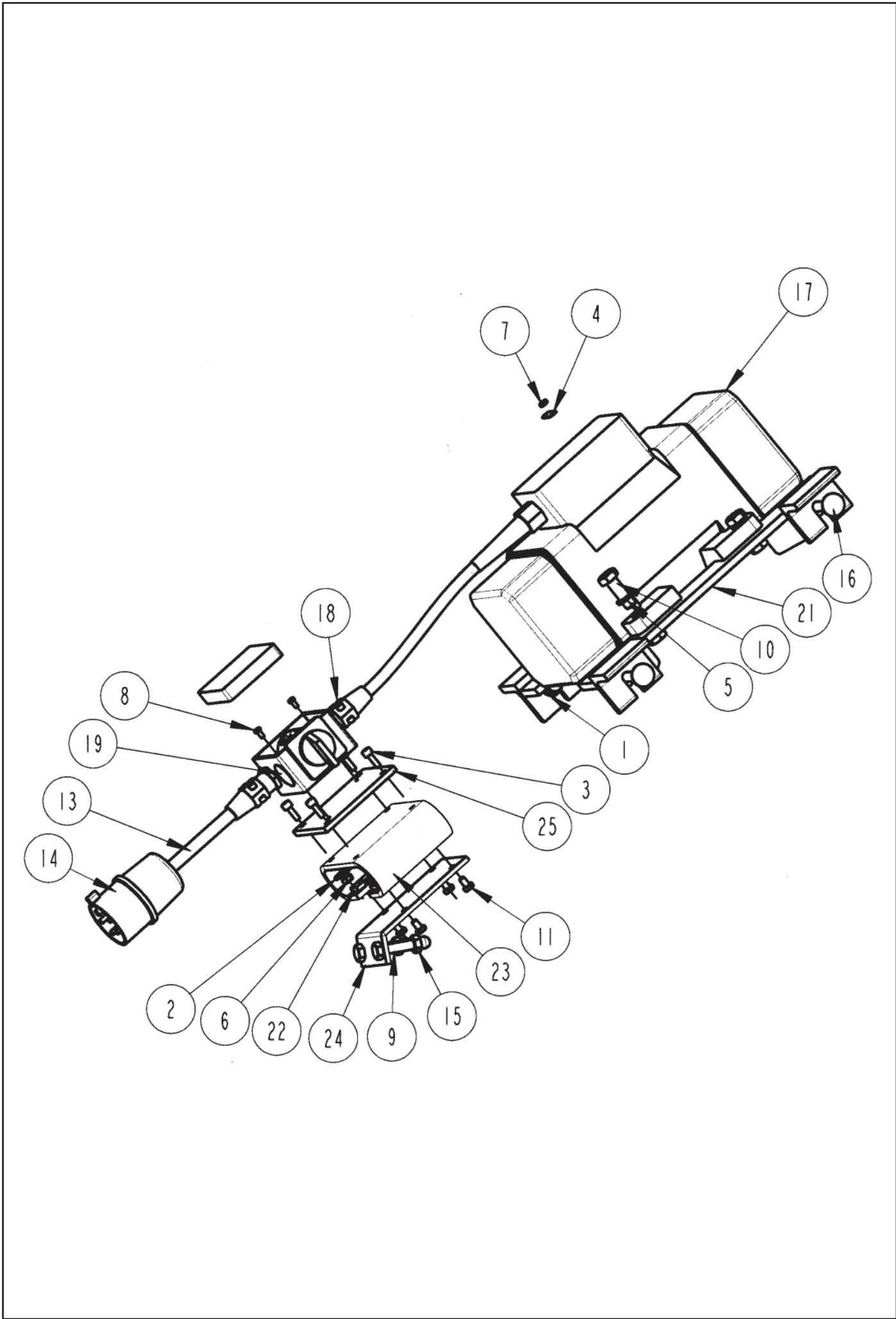
Date 0505

Contents

Page 4-5	Motorvibrator
Page 6-7	Vibroflex 2m, 1m
Page 8-9	End Piece
Page 10-11	Outrigger

SPARE PART LIST

Date 0505		TREMIX VIBROFLEX		
Pos	NO	DENOMINATION	Qty	
1		Washer	BRB 10.5x21x2 fzb	4
2		Washer	SRKB 6.4x20x1.5 fzb	4
3		Screw	MC6S 6x16 fzb	4
4		Connection plate	Included in 003705	3
5		Locking washer	Nordlock M12	4
6		Locking nut	M6M 6 NYLOC DIN	4
7		Nut	M6M 4 fzb	6
8		Screw	ECS 4x8 fzb	3
9		Screw	M6S 10x45 fzb	2
10		Screw	M6S 12x35 fzb ISO	4
11		Screw	M6S 6x10 fzb	4
12	000959	Crimp ring M4		4
13	001015	Cable		1
14	001151	Socket		1
15	002773	Locking nut	M6M 10 DIN986	6
16	002805	Carriage bolt	MVBF 10x65 fzb 8.8	4
17	003705	Motor vibrator		1
18	003706	Cable gland		2
19	003740	Plug		2
20	003741	Forward-revers switch		2
21	033049	Motor bracket		2
22	048890	Flat bar		2
23	048891	Rubber mat		1
24	048956	Switch bracket		1
25	049055	Middle plate		1



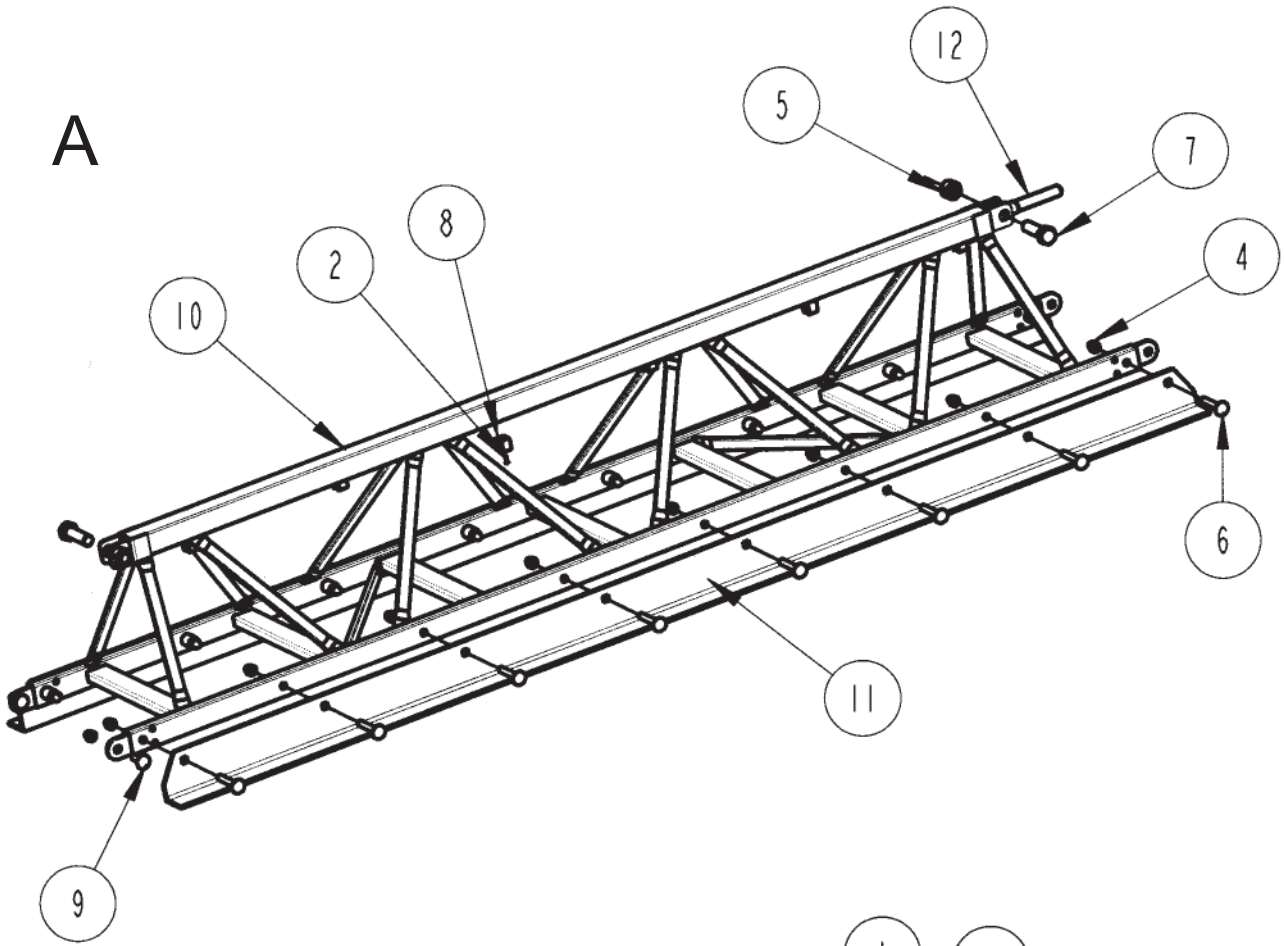
SPARE PART LIST

TREMIX VIBROFLEX

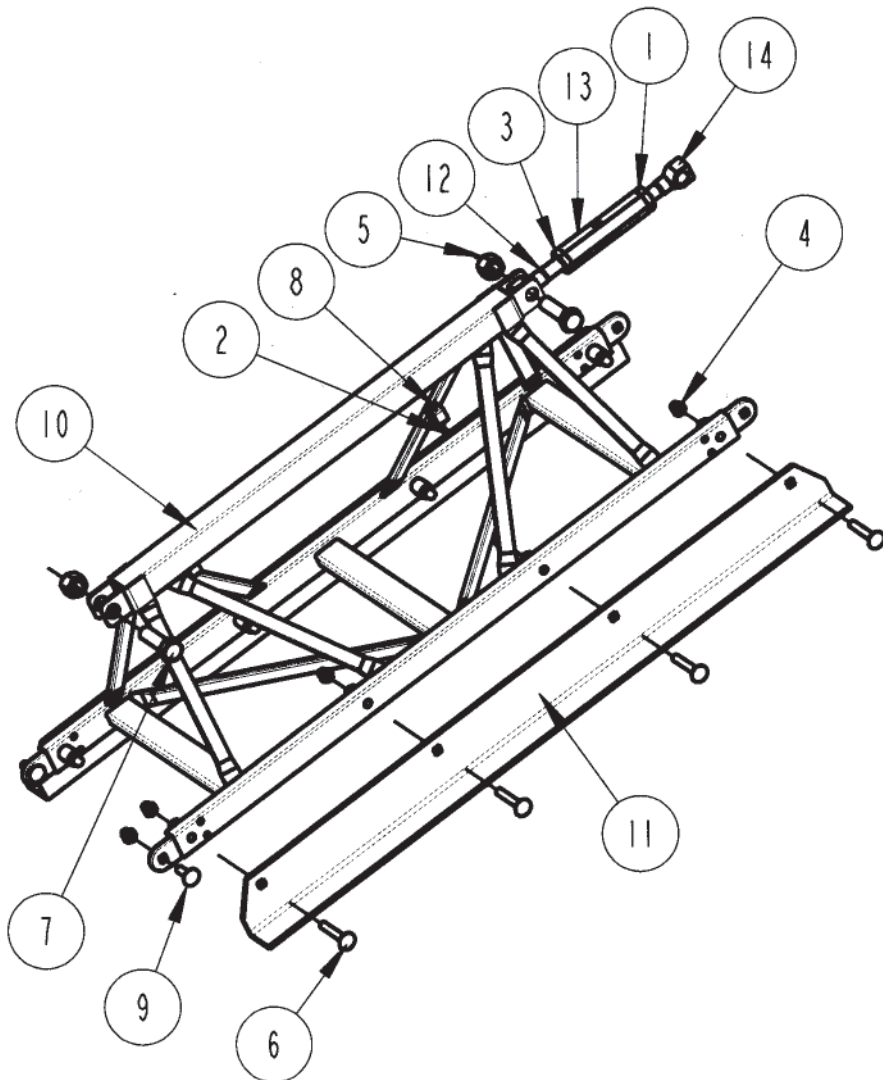
Date 0505

Pos	NO	DENOMINATION	Qty	
A				
1		Nut	ML6M 20 fzb	1
2		Screw	TeksRXB 2.9x13	6
3	002248	Nut	M6M 20 V fzb	1
4	002773	Cap lock nut	M6M 10 DIN986	18
5	002774	Locking nut	M6M 18 NYLOC	2
6	002775	Carriage bolt	MVBF 10x60 fzb	16
7	002776	Screw	M6S 18x60 fzb	2
8	002793	Clamp		6
9	002806	Carriage bolt	MVBF 10x30 fzb	2
10	011875	Section 2 m		1
11	022284	Bar		2
12	047200	Turnbuckle screw left		1
13	047209	Turnbuckle nut		1
14	047217	Turnbuckle screw		1
B				
1		Nut	ML6M 20 fzb	1
2		Screw	TeksRXB 2.9x13	2
3	002248	Nut	M6M 20 V fzb	1
4	002773	Cap lock nut	M6M 10 DIN986	10
5	002774	Locking nut	M6M 18 NYLOC	2
6	002775	Carriage bolt	MVBF 10x60 fzb	8
7	002776	Screw	M6S 18x60 fzb	2
8	002793	Clamp		2
9	002806	Carriage bolt	MVBF 10x30 fzb	2
10	011876	Section 1 m		1
11	022293	Bar		2
12	047200	Turnbuckle screw left		1
13	047209	Turnbuckle nut		1
14	047217	Turnbuckle screw		1

A



B

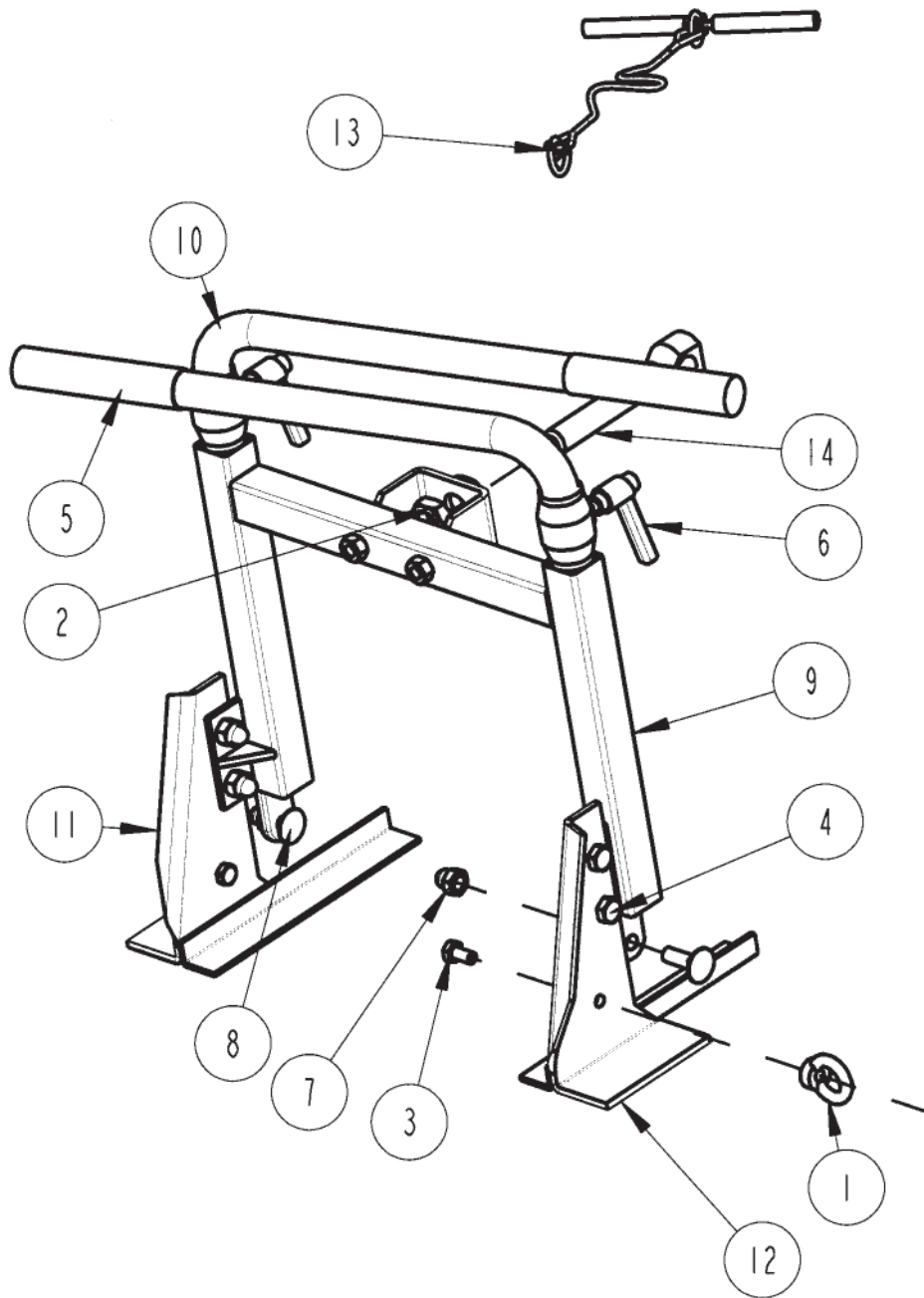


SPARE PART LIST

TREMIX VIBROFLEX

Date 0505

Pos	NO	DENOMINATION	Qty
1		Lifting eye	2
2		Nut	2
3		Screw	2
4		Screw	4
5	001552	Handle	2
6	002237	Locking lever	2
7	002773	Cap lock nut	6
8	002806	Carriage bolt	2
9	022167	End piece	1
10	032844	Handle tube	2
11	033012	Slide way, right	1
12	033013	Slide way, left	1
13	043428	Pulling rope	1
14	047217	Turnbuckle screw	1

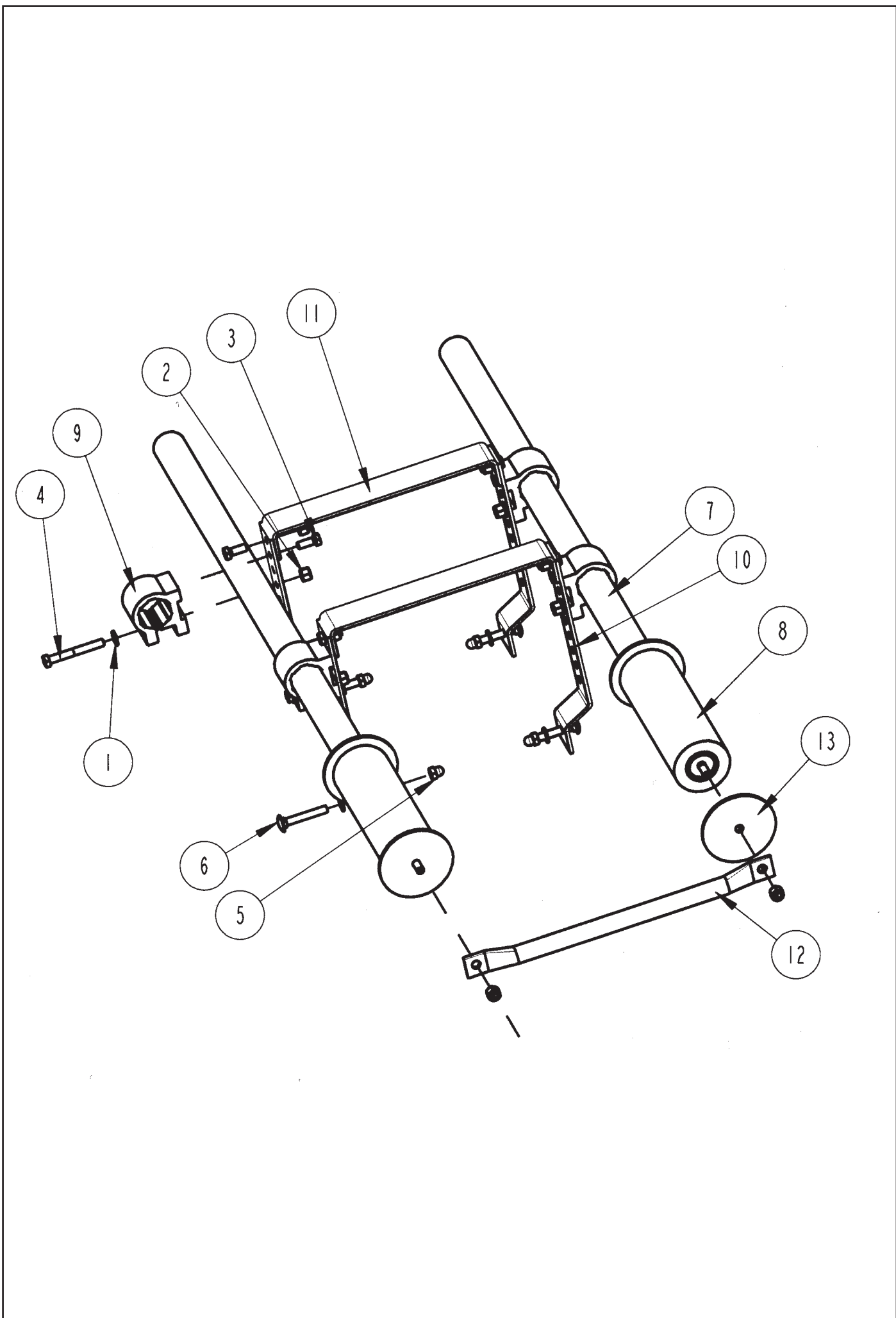


SPARE PART LIST

TREMIX VIBROFLEX

Date 0505

Pos	NO	DENOMINATION	Qty
1		Lifting eye	2
2		Nut	2
3		Screw	2
4		Screw	4
5	001552	Handle	2
6	002237	Locking lever	2
7	002773	Cap lock nut	6
8	002806	Carriage bolt	2
9	022167	End piece	1
10	032844	Handle tube	2
11	033012	Slide way, right	1
12	033013	Slide way, left	1
13	043428	Pulling rope	1
14	047217	Turnbuckle screw	1



RESERVDELSBESTÄLLNING

För att undvika felleveranser vid reservdelsbeställning är det angeläget att produkttyp och tillverkningsnummer såväl som pos., antal, benämning och detaljnummer anges.

SPARE PARTS ORDERING

To prevent wrong deliveries, your orders should specify type of product, serial number as well as item No., quantity, denomination and part No.

ERSATZTEILBESTELLUNG

Um fehlerhafte Lieferungen bei Ersatzteilbestellung zu vermeiden, ist es wichtig, daß Typ und Herstellungsnummer sowie Position, Anzahl, Benennung und Teil-Nr. angegeben werden.

