

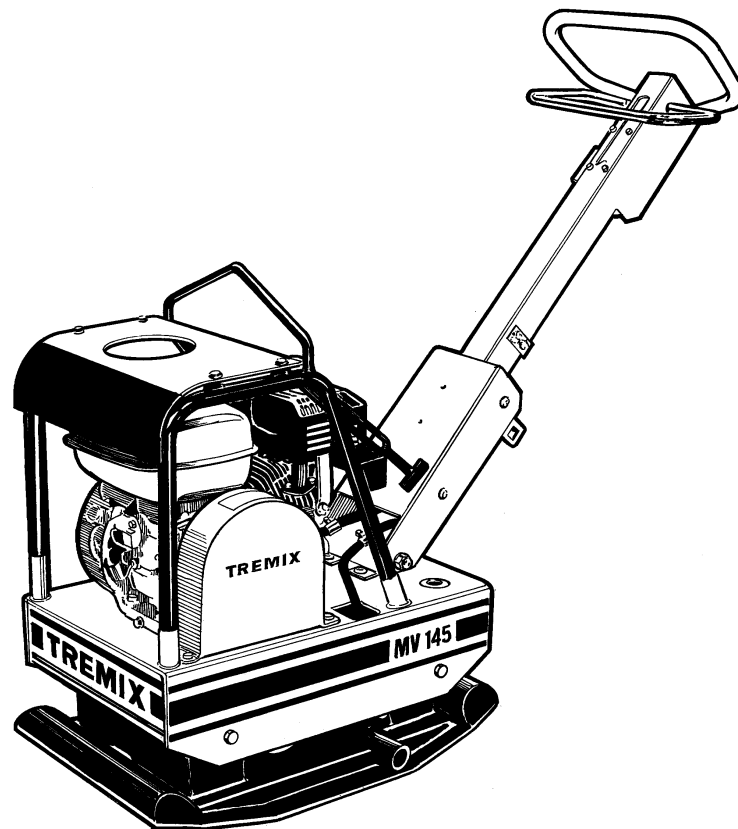
TREMIX

Forward and reverse soil compactor

MV 145

SPARE PARTS CATALOGUE

SMV145-1EN1



TREMIX®

Metso Construction Equipment AB
Stensättravägen 9, Box226
SE- 127 24 Skärholmen, Sweden
Tel: +46 8 603 32 00 Telefax: +46 8 646 72 61

Forward and reverse soil compactor MV 145

Spare Parts Catalogue

SMV145 -1EN1

Engines:

Yanmar L40AE

Honda GX200SX

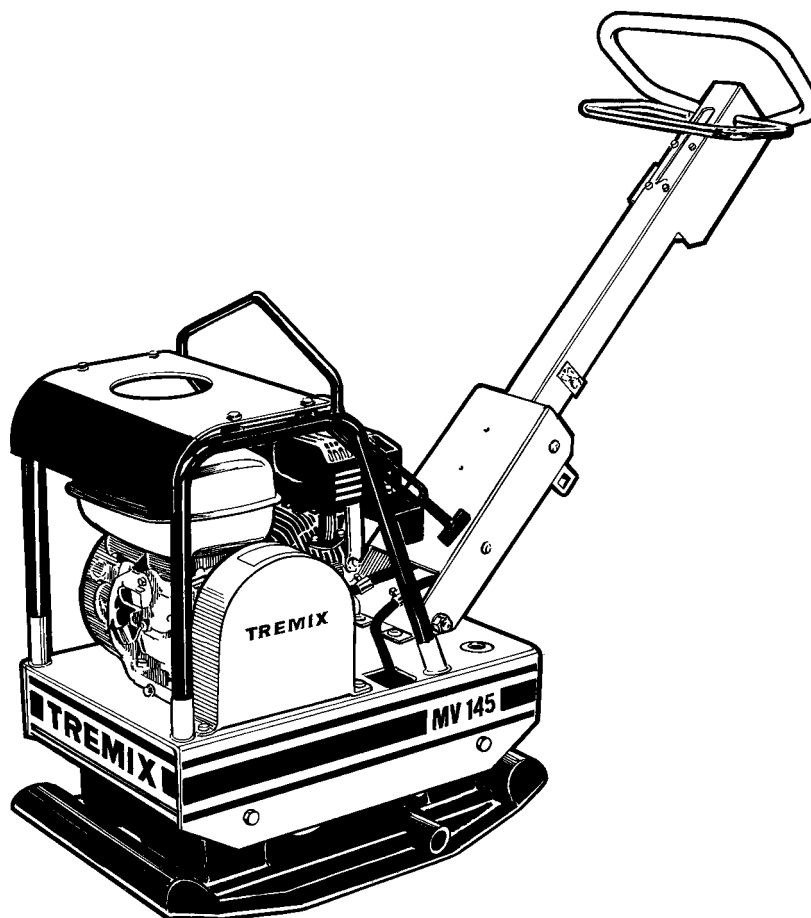
Honda GX160

Robin EY20

Robin EY30D

Published catalogue issues valid for these compactors:
Catalogue Issue date

SMV145-1EN1 2002-03



RESERVDLSBESTÄLLNING

Följande uppgifter ska lämnas vid beställning av reservdelar för att undvika leveransfel:

1. Maskintyp.
2. Vältensserienummer.
3. Antal av önskad reservdel.
4. Reserdelens artikelnummer.
5. Reservdelens benämning.
6. Måttuppgifter vid beställning av metervara.

ERSATZTEILBESTELLUNG

Zur Vermeidung von Fehllieferungen sind bei der Bestellung von Ersatzteilen folgende Angaben zu machen:

1. Maschinentyp.
2. Herstellungsnummer.
3. Bestellmenge. (Quantity)
4. Ersatzteilnummer. (Part N°)
5. Ersatzteilbenennung. (Denomination)
6. Massangaben bei Bestellung von Meterware.

PEDIDO DE RECAMBIOS

Para evitar errores en las entregas, deberán indicarse los siguientes datos al hacer un pedido de recambios:

1. Tipo de máquina.
2. Número de serie.
3. Cantidad de piezas deseadas. (Quantity)
4. Número de artículo de la pieza de recambio. (Part N°)
5. Denominación de la pieza. (Denomination)
6. Indíquese la medida al solicitar un artículo que se expide por metros.

ORDERING SPARE PARTS

To avoid errors in delivery, please give the following information when ordering spare parts:

1. Type of machine.
2. Roller serial number.
3. Quantity required.
4. Part number.
5. Parts denomination.
6. Dimensions when ordering per length.

ORDINI DI RICAMBI

Per evitare errori nelle consegne di ricambi, Vi preghiamo di comunicarci le seguenti informazioni al momento dell'ordinazione:

1. Tipo di macchina.
2. Numero di serie della macchina.
3. Quantità dei pezzi desiderati. (Quantity)
4. Numero di codice del pezzo. (Part N°)
5. Descrizione del pezzo di ricambio. (Denomination)
6. Misura, in caso di ordine per metro.

COMMANDE DE PIÈCES DE RECHANGE

Les indications suivantes doivent être fournies lors de la commande de pièces de rechange, afin d'éviter toute erreur de livraison:

1. Type de machine.
2. Numéro de série.
3. Quantité désirée de pièce de rechange. (Quantity)
4. Numéro de la pièce de rechange. (Part N°)
5. Dénomination de la pièce de rechange. (Denomination)
6. Longueur en cas de commande au mètre.

YOUR AGENT/DEALER:

PÄRMETIKETT

För att undvika fel vid reservdelsbeställning finns här nedan två etiketter som passar i fickorna på pärmarnas ryggar. På dessa kan man se från vilket vältnummer av aktuell maskin reservdelskatalogen gäller. Gör så här:

1. Tag denna sida ur pärmen.
2. Klipp ut etiketten till VÄNSTER (1) och sätt in den i fickan på DENNA pärmens rygg.
3. Finns det en etikett till HÖGER (2), kan denna användas på pärmen för FÖREGÅENDE utgåva av denna katalog.
4. Kasta detta papper.

KATALOG-BESCHRIFTUNG

Zur Vermeidung von Fehlern bei der Ersatzteilbestellung benutzen Sie bitte die unteren Beschriftungen, um die Kataloge auf der Rückseite zu kennzeichnen. Auf der Beschriftung ist angegeben, für welche Maschinennummern der jeweilige Katalog gültig ist. Ablauf:

1. Nehmen Sie dieses Blatt aus dem Katalog.
2. Schneiden Sie die LINKE Beschriftung (1) aus. Schieben Sie die Beschriftung in die tasche auf DEM Katalogrücke.
3. Sollte die Beschriftung unten RECHTS (2) mitgeliefert werden, kennzeichnen Sie damit bitte die ÄLTERE Ausführung dieses Kataloges.
4. Den Rest dieses Blattes bitte vernichten.

ETIQUETA PARA LA CARPETA

Para evitar errores al pedir repuestos utilicen las etiquetas abajo descritas para identificar los catálogos en la parte trasera de la carpeta. En la etiqueta se ven los números de referencia de la serie para la cual es válido el catálogo. Instrucciones:

1. Quitar esta página de la carpeta.
2. Corta la etiqueta IZQUIERDA (1) y ponerla en esta carpeta en la parte trasera.
3. Si hay una etiqueta en la parte DERECHA (2) se puede utilizar en la carpeta para el catálogo que PRECEDE a esta.
4. Tirar esta hoja.

BINDER LABEL

To avoid errors when ordering spare parts use the labels below to identify the catalogues on the back of the binder. The label contain the serial number range for which the catalogue is valid. Do like this:

1. Remove this page from the binder.
2. Cut out the LEFT label (1) and put it on THIS binders back.
3. If there is a label to the RIGHT (2), it can be used on the binder for PRECEDING issue of this catalogue.
4. Throw away this paper.

ETICHETTA POSTA SUL RACCOGLITORE

Per evitare errori quando ordinate pezzi di ricambio, usate le etichette in calce che servono ad identificare i cataloghi sul retro del raccoglitore. L'etichetta indica il numero di matricola delle macchine prese in considerazione nel catalogo.

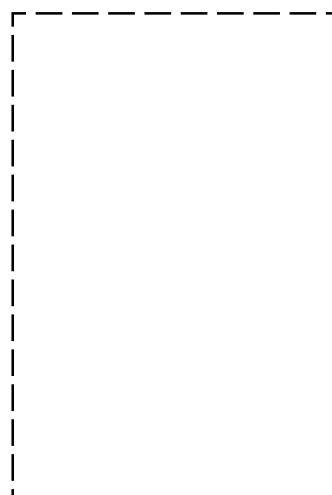
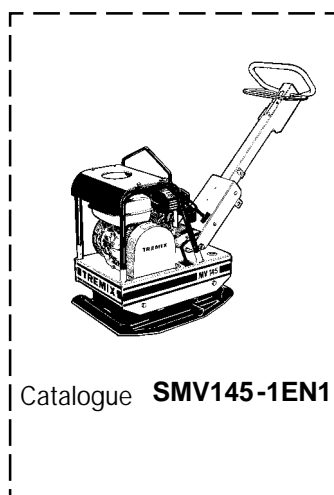
1. Rimuovete questa pagina dal raccoglitore.
2. Ritagliate l'etichetta posta a SINISTRA (1) e ponetela sul retro DEL raccoglitore.
3. Se trovate anche un'etichetta sulla DESTRA (2), ritagliatela e ponetela sul raccoglitore relativo alla PRECEDENTE edizione del catalogo.
4. Distruggete questo foglio.

ETIQUETAGE DU CATALOGUE

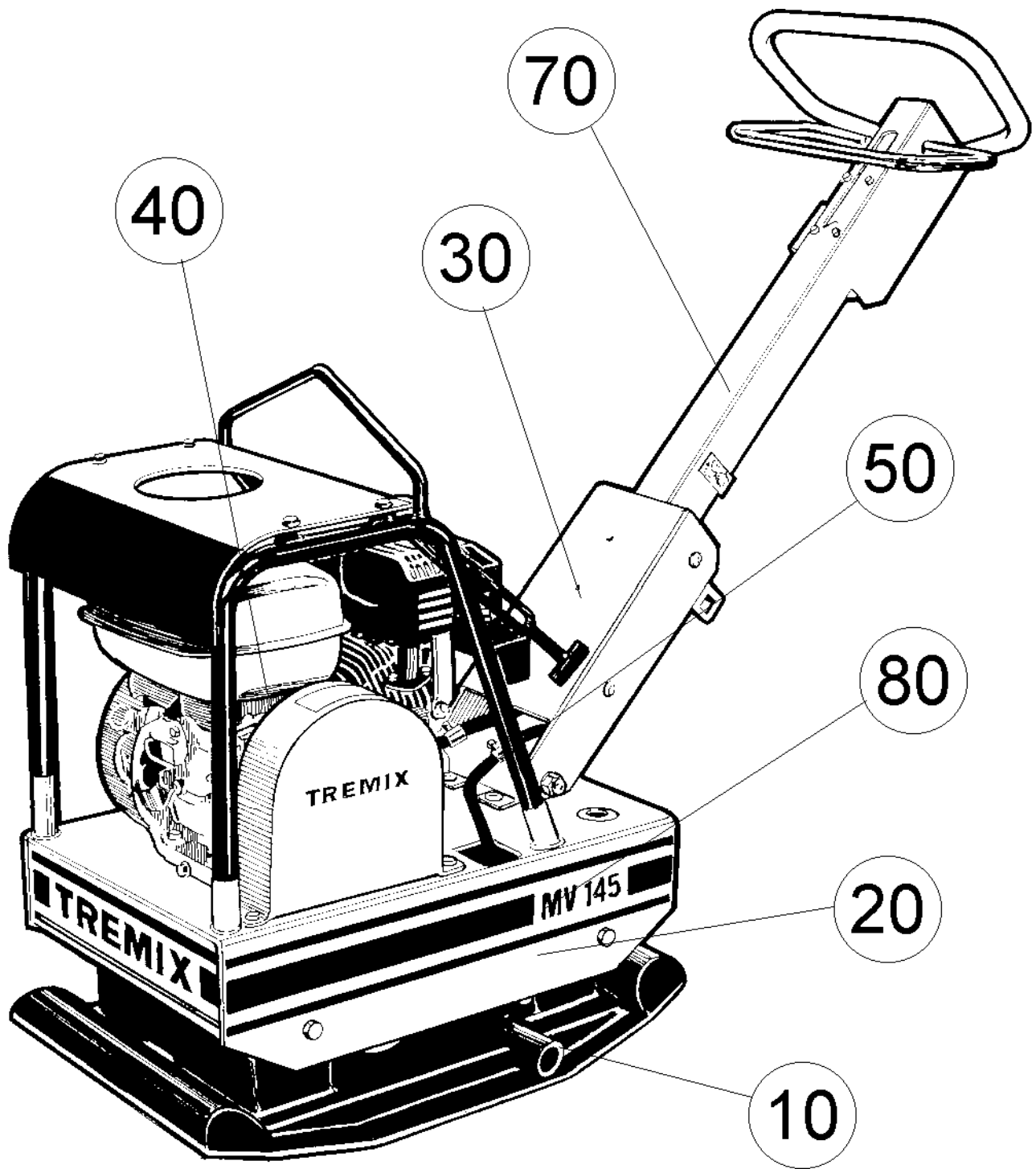
Afin d'éviter des erreurs lors de commandes de pièces de rechange, nous vous conseillons d'apposer les marquages ci-dessous à l'arrière du classeur, pour identifier les catalogues. Ce marquage indique les numéros de série pour lesquels le catalogue est adapté. Il convient de procéder de la façon suivante:

1. Retirez cette page du classeur.
2. Découpez l'étiquette de GAUCHE (1), et apposez-la à l'arrière de CE catalogue.
3. Si il y a une étiquette à DROITE (2), vous pourrez l'apposer sur le classeur de l'édition PRECEDENTE du catalogue.
4. Détruire cette feuille.

1.



MV145	2
Ground plate and engine plate	4
Ground plate and engine plate	6
Eccentric element	8
Eccentric element	10
Engine	12
Engine Honda GX200SX	14
Engine Honda GX160	16
Engine Robin EY20D	18
Engine Yanmar L40	20
Engine Robin EY30D	22
Transmission	24
Centrifugal clutch	26
Hydraulic system	28
Hydraulic system	30
Handle	32
Handle	34
Decals and documentation	38
Decals and documentation	40

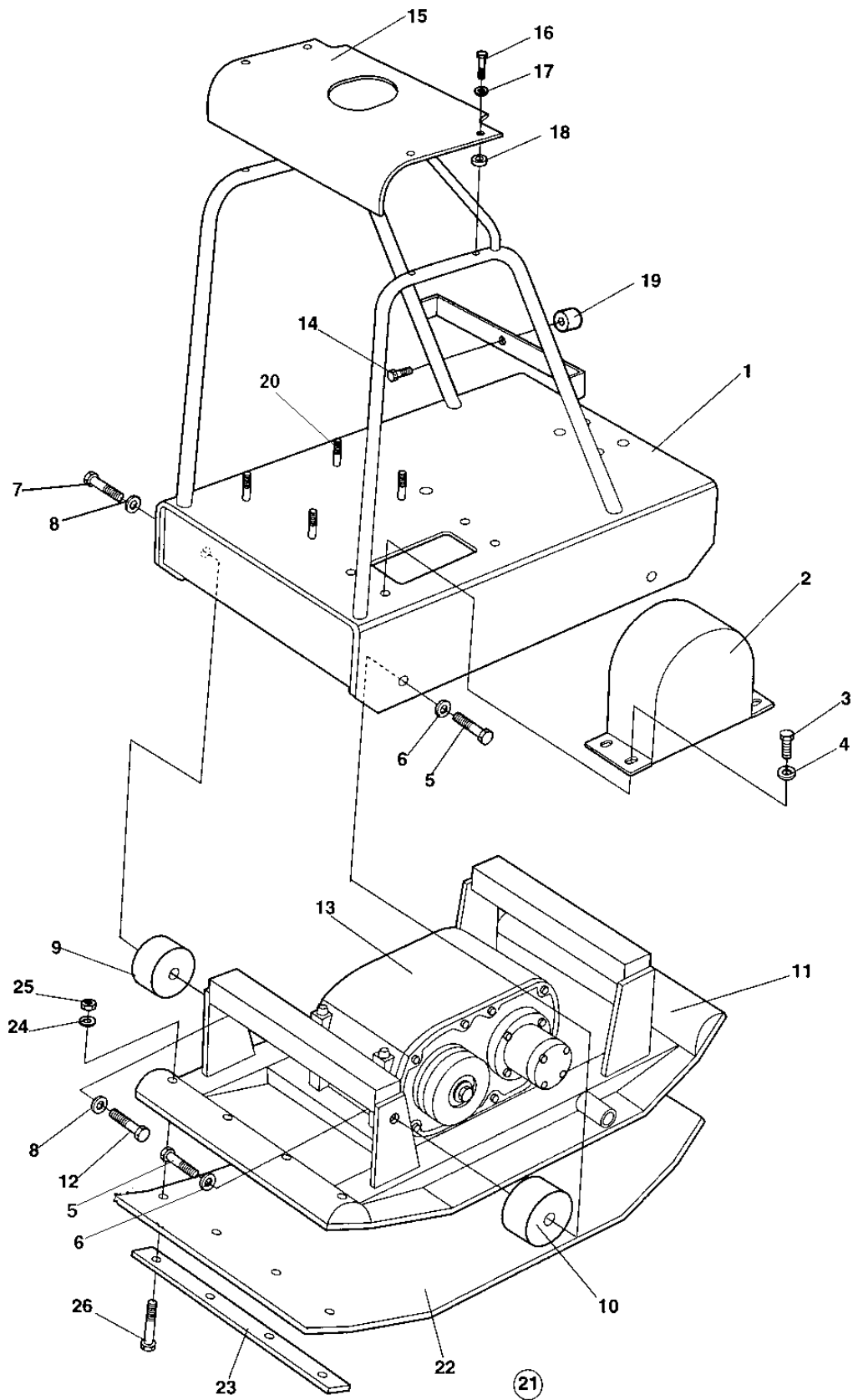


Ref. No.	Part No.	Rem.	Qty	Description	Code
10				Ground plate and engine plate (Page 4)	
20				Eccentric element (Page 8)	
30				Engine (Page 12)	
40				Transmission (Page 24)	
50				Hydraulic system (Page 28)	
70				Handle (Page 32)	
80				Decals and documentation (Page 38)	



Ground plate and engine plate

Ref. No.	Part No.	Rem.	Qty	Description	Code
10				Ground plate and engine plate (Page 6)	



Ground plate and engine plate

Ref. No.	Part No.	Rem.	Qty	Description	Code
1	100508049	A	1	Upper part	
	100508039	B	1	Upper part	
2	100507040		1	Belt guard	
3	500042		4	Screw	
4	904229		4	Washer 8,4x16x1,5	
5	500035		2	Screw	
6	904231		2	Washer 13x24x2	
7	100910146		6	Screw	
8	904230		6	Washer 10,5x22x2	
9	100900807		3	Shock absorber	
10	100900811		1	Shock absorber	
11	100508036		1	Ground plate	
12	500048		3	Screw M10-1,5x20 8,8	
13		D	1	Eccentric element, cpl	
14	513003		1	Screw	
15	150805700		1	Protective plate	
16	500018		4	Screw M8-1,25x12 8,8	
17	904229		4	Washer 8,4x16x1,5	
18	100508058		4	Spacer	
19	282152		1	Shock absorber	B
20	500048	C	4	Screw M10-1,5x20 8,8	
21			1	Polyurethane plate, cpl	
22	100508055		1	.Polyurethane plate	
23	280897		1	.Bracket	
24	615045		4	.Conical spring washer	
25	570007		4	.Nut	
26	500117		4	.Screw	

A) Engine Honda/Robin

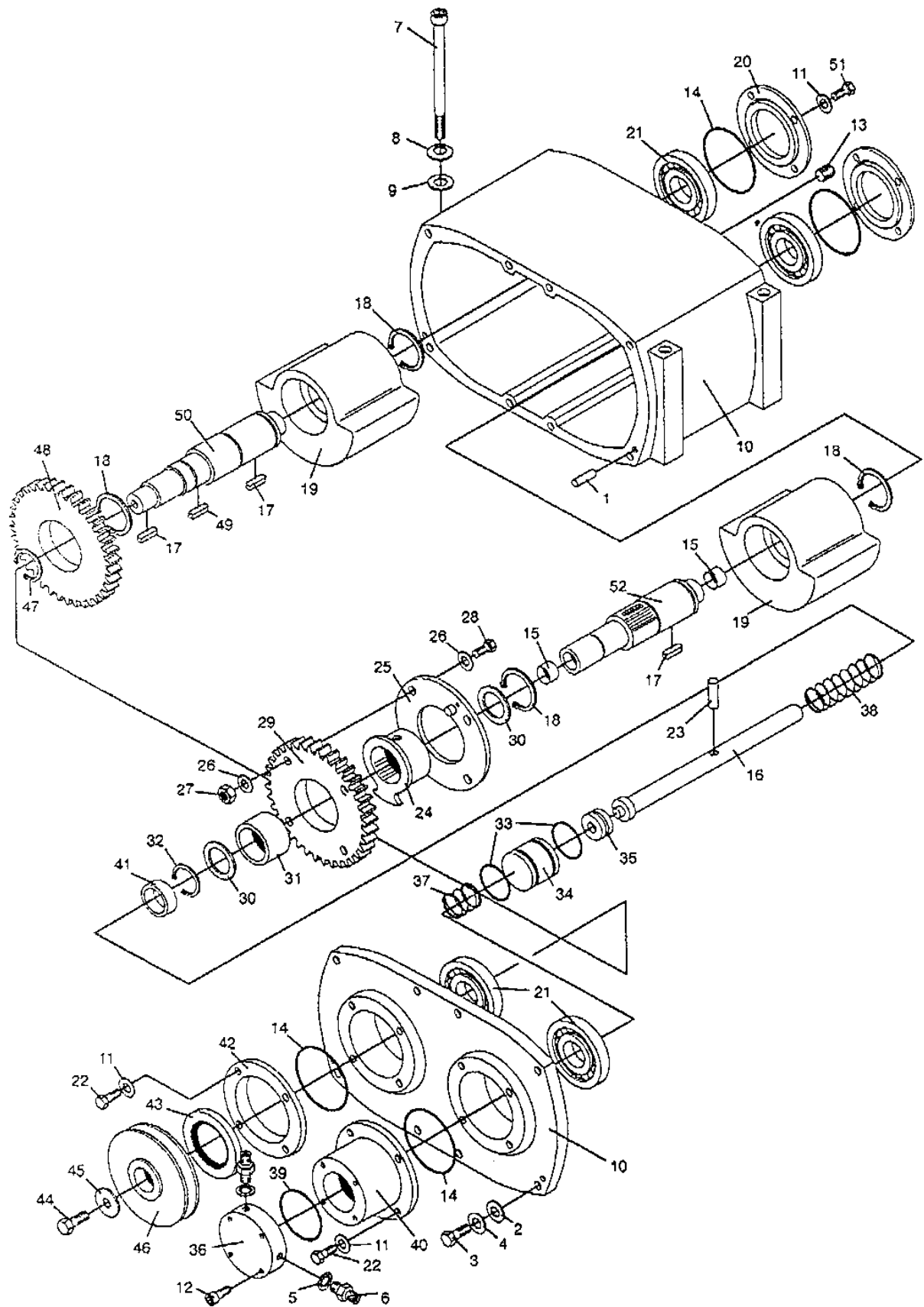
B) Engine Yanmar

C) Welved with engine plate

D) See section eccentric element

Ref. No.	Part No.	Rem.	Qty	Description	Code
10				Eccentric element (Page 10)	

TREMIX
Eccentric element
T10030

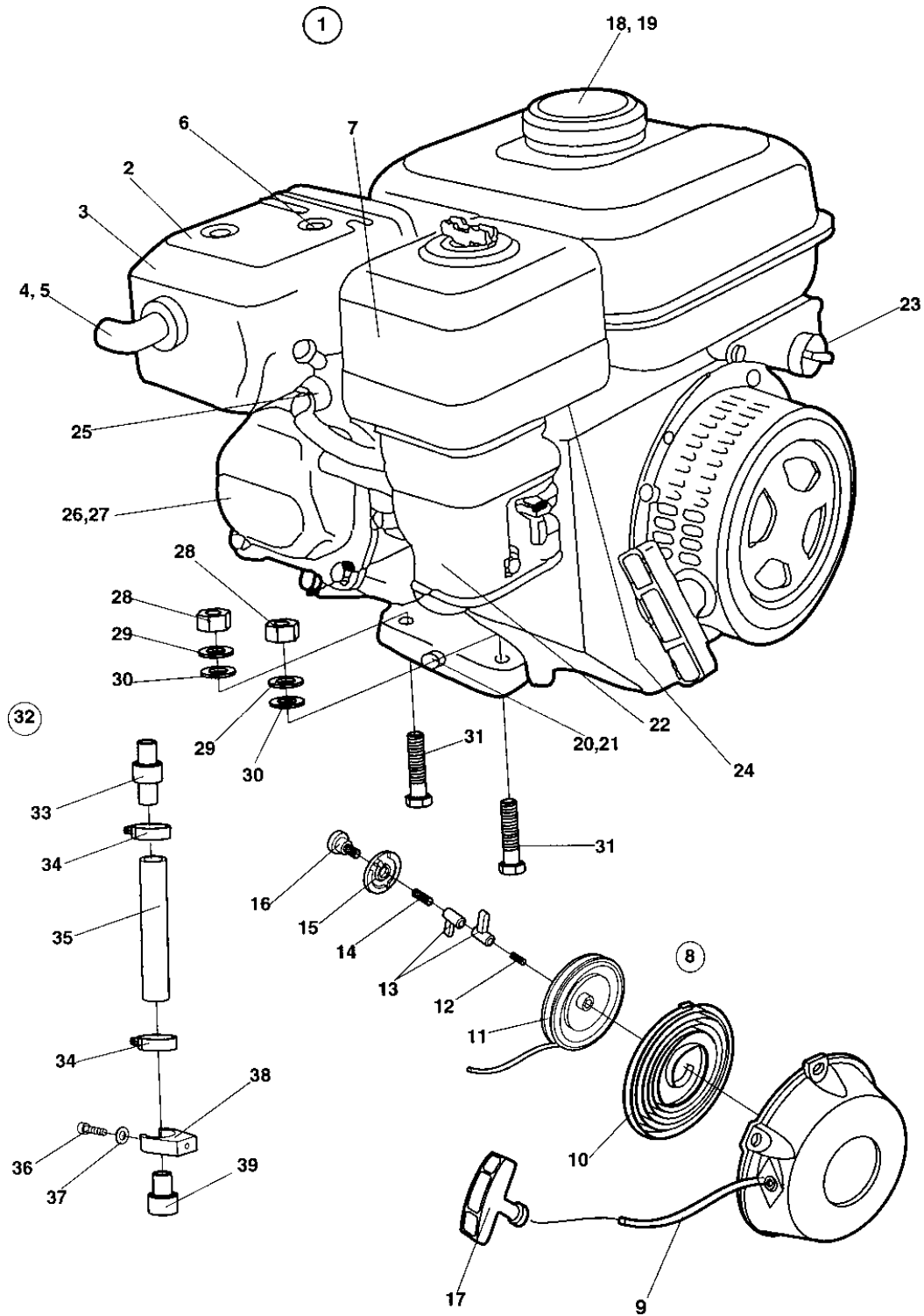


Ref. No.	Part No.	Rem.	Qty	Description	Code
1	100900331		2	Cylinder pin	
2	600008		8	Washer	
3	904385		8	Screw	
4	100900311		8	Washer	
5		B	2	Washer	
6		B	2	Connector	
7	100910169		4	Screw	
8	100900312		4	Washer	
9	904231		4	Washer 13x24x2	
10	100507001		1	Eccentric housing	
11	600004		16	Washer	
12	100910155		4	Screw	
13	100901522		1	Plug	
14	100900721		4	O-ring	
15	100900629		2	Bushing	
16	100507021		1	Control rod	
17	100900507		4	Key	
18	150015		4	Snap ring	
19	100507004		2	Eccentric	
20	100507024		2	Cover	
21	100900628		4	Bearing	
22	500040		8	Screw M6-1x20 8,8	
23	100900332		1	Cylinder pin	
24	100507012		1	Retainer	
25	100507017		1	Disc	
26	600006		8	Washer	
27	100900203		4	Nut	
28	500047		4	Screw M8-1,25x35 8,8	
29	100507015		1	Gear	
30	100507013		2	Washer	
31	100901011		1	Roller clutch	
32	150012		1	Snap ring	D
33	100900722		2	O-ring	
34	100507020		1	Piston	
35	100900630		1	Bearing	
36	100507019		1	Cover	
37	100900902		1	Spring	
38	100900901		1	Spring	
39	100900723		1	O-ring	
40	100507018		1	Cylinder	
41	100507014		1	Spacer ring	
42	100507022		1	Cover	
43	100900727		1	Sealing	
44	100900123		1	Screw	
45	100502016		1	Washer	
46	100508005		1	V-belt disk	
47	100900437		1	Retaining ring	
48	100507023		1	Gear	
49	100900507		1	Key	
50	100507010		1	Shaft	
51	500015		8	Screw M6-1x30 8,8	
52	100507011		1	Shaft	

B) See section hydraulic system

Engine

Ref. No.	Part No.	Rem.	Qty	Description	Code
10				Engine Honda GX200SX (Page 14)	
20				Engine Honda GX160 (Page 16)	
30				Engine Robin EY20D (Page 18)	
40				Engine Yanmar L40 (Page 20)	
50				Engine Robin EY30D (Page 22)	



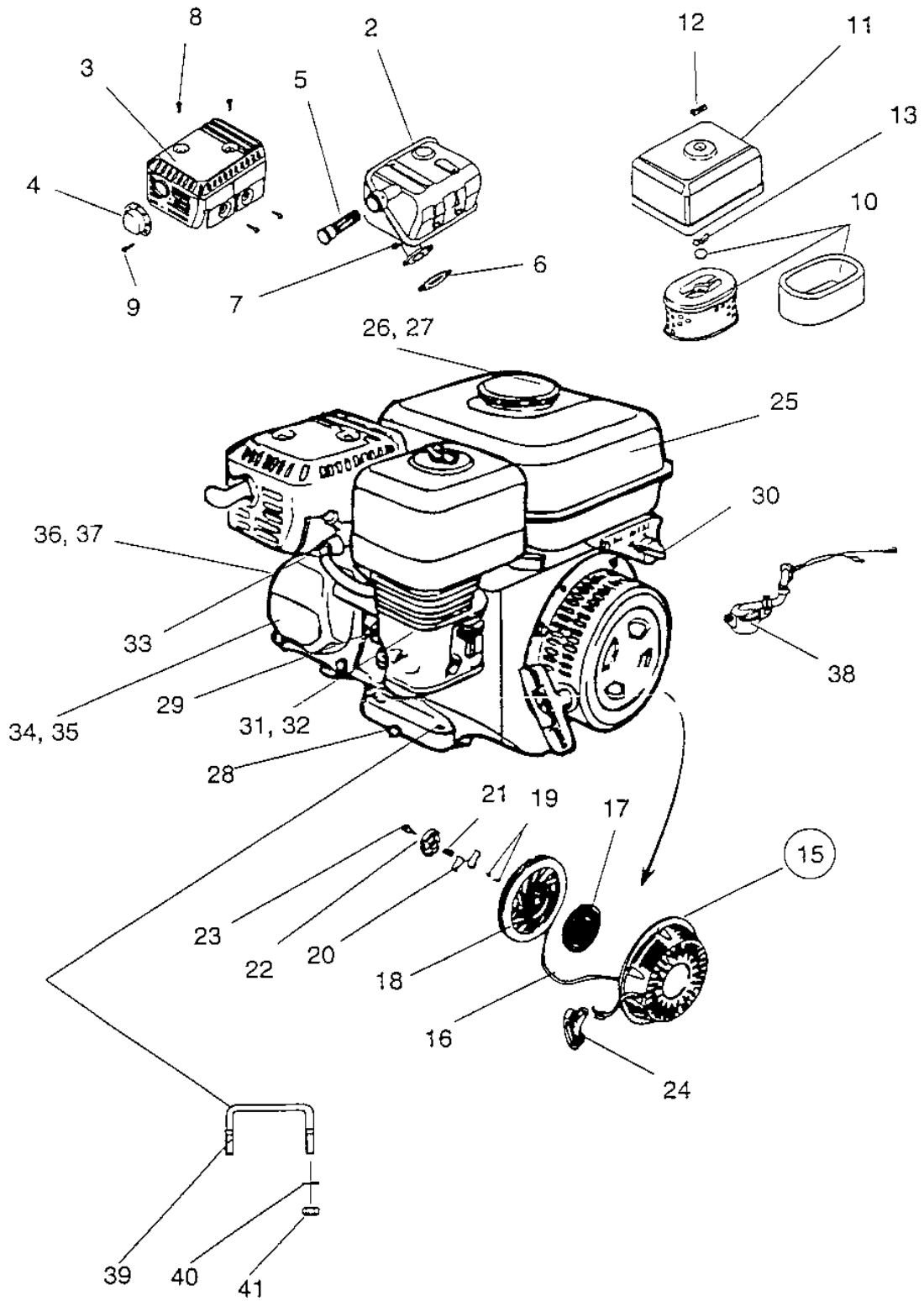
Ref. No.	Part No.	Rem.	Qty	Description	Code
1			1	Petrol engine	
2	239889		1	.Muffler	
	002518	C	1	Catalyzer	
3	239890		1	.Muffler cover	
4	239062		1	.Exhaust pipe	
5	239892		1	.Arrester, spark	
6	239063		1	.Gasket, muffler	
7	239323		1	.Air filter, cpl	A
8	239065		1	.Recoil starter, cpl	D
9	239374		1	..Starter rope	B
10	239375		1	..Spring	B
11	239376		1	..Reel	
12	239377		2	..Spring	
13	239378		2	..Ratchet	
14	239379		1	..Friction spring	
15	239380		1	..Guide	
16	239381		1	..Screw	
17	239391		1	..Handle	B
18	239321		1	.Fuel tank	
19	239324		1	.Fuel tank cap	D
20	239682		2	.Plug	D
21	238303		2	.Gasket	D
22	935802		1	.Oil level plug	
23	239067		1	.Oil alert	
24	239894		1	.Carburettor, cpl.	
25	239565		1	.Spark plug	A
26	238301		1	.Gasket	D
27	238309		1	.Gasket, cylinder head	B
28	100900203		4	Nut	
29	904229		4	Washer 8,4x16x1,5	
30	904230		12	Washer 10,5x22x2	
31	508057	A	4	Screw	
32			1	Oil drain, cpl	
33	100504811		1	.Hose connection	
34	313001		2	.Hose clamp	
35	100901382		1	.Hose	
36	281115		1	.Screw	
37		B	1	Washer	
38	281234		1	.Ryw-clips	
39	100504609		1	.Plug	

A) Welved with engine

B) Not used in this model

C) Option

1



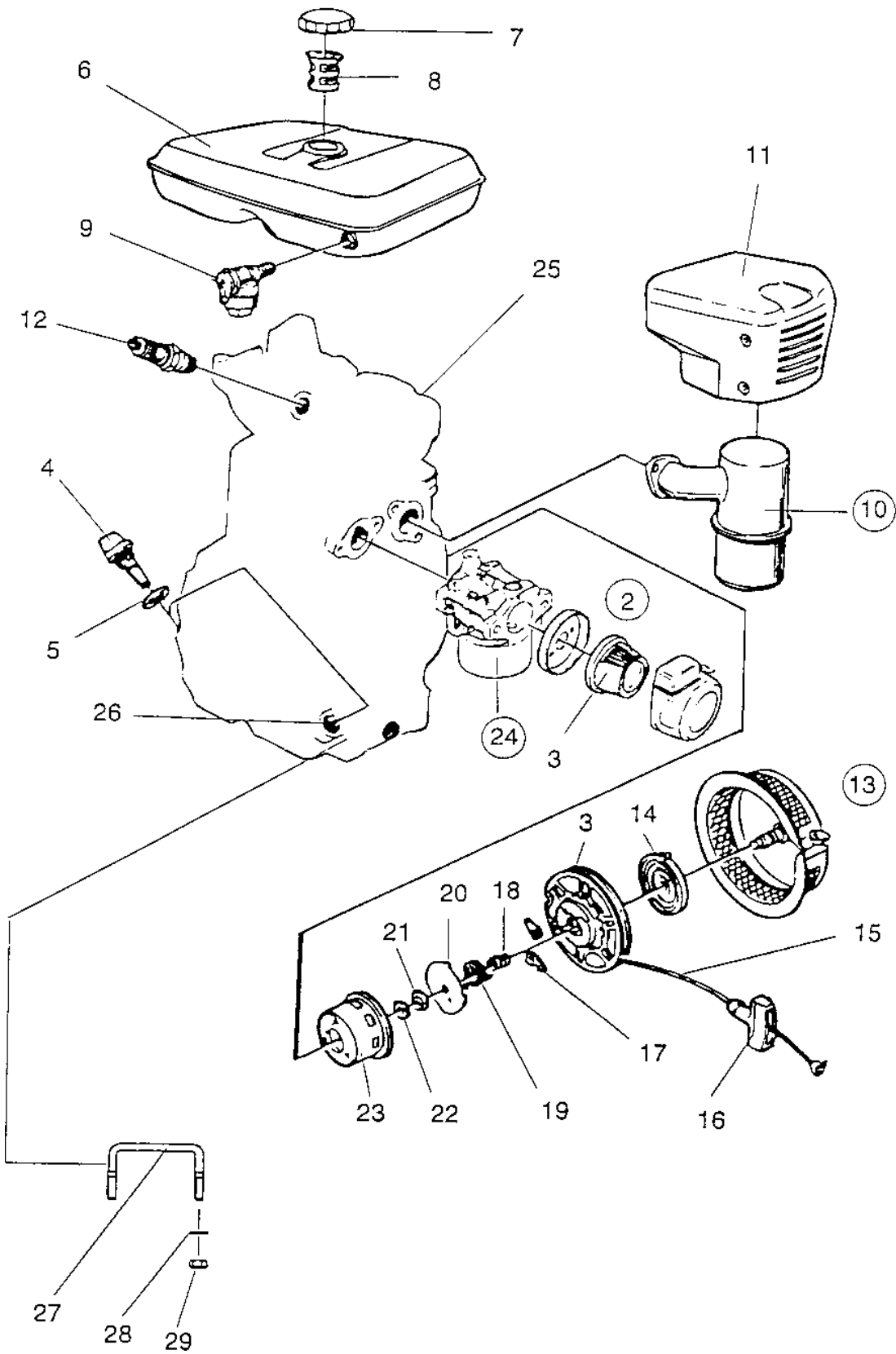
Ref. No.	Part No.	Rem.	Qty	Description	Code
1	700404581	C	1	Engine cpl	
2	700362515		1	Muffler	
	382879	A,B	1	Catalyser	
3	700362516		1	Protector	
4	700362518		1	Deflector	
5	700361778		1	Arrestor spark	
6	700362519		1	Gasket	
7	700693461		2	Nut	
8	700656479		4	Screw	
9	100900105		2	Screw	
10	700362779		1	Air filter element	
11	700363141		1	Cover	
12	700361770		1	Nut	
13	700363227		1	Nut	
15	700362521		1	Reciol starter cpl	
16	700362830		1	.Starter rope	
17	700362831		1	.Return spring	
18	700362832		1	.Reel	
19	700362833		1	.Spring	
20	700362834		1	.Ratchet	
21	700362835		1	.Friction spring	
22	700362836		1	.Slider	
23	700362837		1	.Screw	
24	700362847		1	.Handle	
25	700362777		1	Tank	
26	700362780		1	Filler cap	
27	700361718		1	Strainer	
28	700361759		1	Gasket	
29	700361762		1	Oil level plig	
30	700361754		1	Stop button	
31	700362781		1	Carburettor	
32	700361766		1	Valve needle	
33	700363021		1	Sparkplug	
34	700361757		1	Gasket	
35	700363120		1	Gasket cylinder head	
36	700361872		1	Valve spring	
37	700361873		1	Lock washer	
38	700363136		1	Switch oil level	
39	700405534		2	U-bolt	
40	700738499		4	Washer	
41	700709459		4	Lock nut	

A) Option

B) Replaceable with muffler

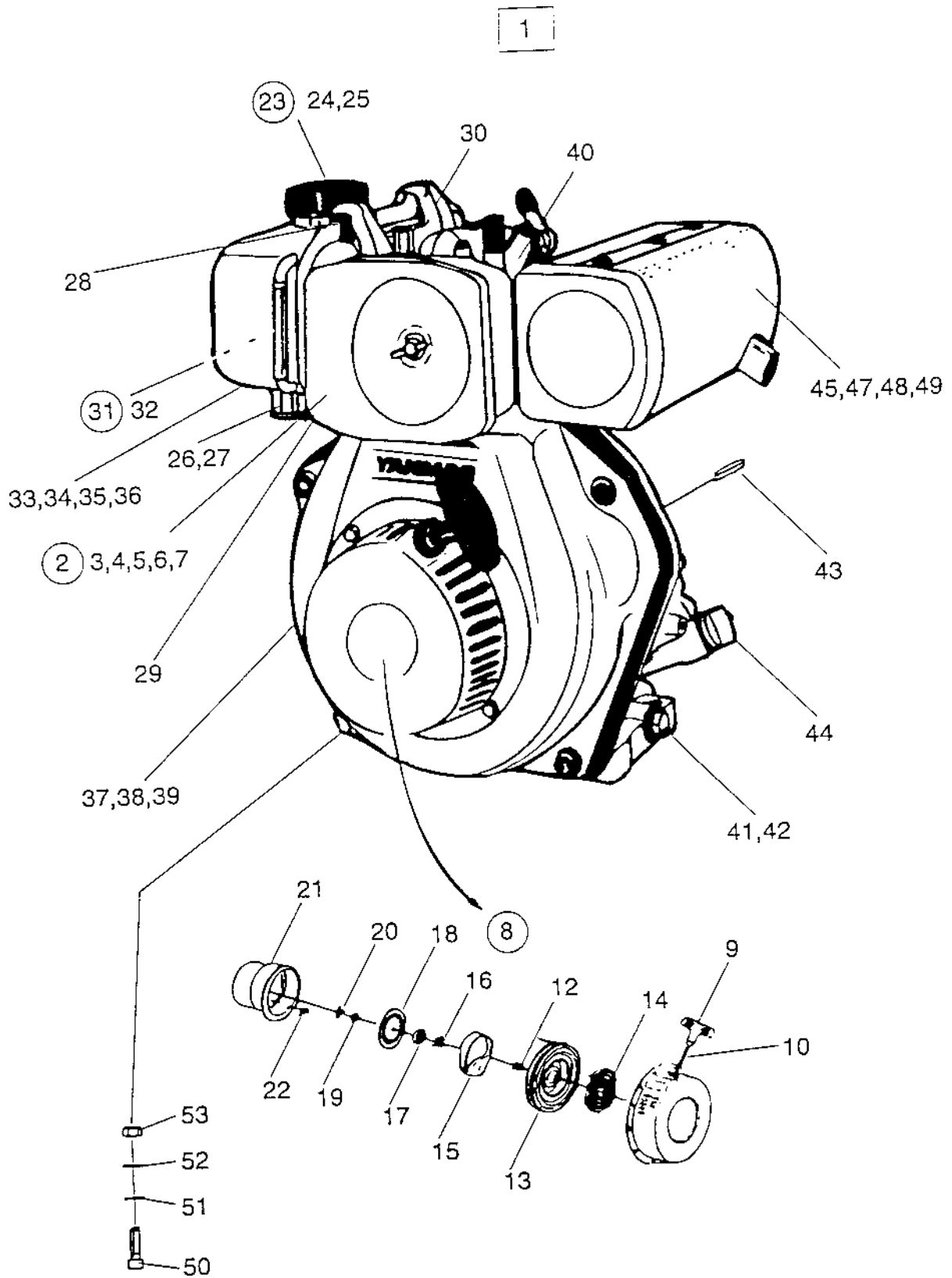
C) Not used any more

1



Ref. No.	Part No.	Rem.	Qty	Description	Code
1	700404706	A	1	Engine cpl	
2	701045342		1	Air cleaner cpl	
3	701045343		1	.Air filter element	
4	701045336		2	Oil plug	
5	701033723		2	Gasket	
6	700361731		1	Fuel tank cpl	
7	701045574		1	.Filler cap	
8	701033726		1	.Fuel strainer	
9	701052813		1	.Fuel cock	
10	701052934		1	Muffler	
11	701052935		1	Protector	
12	700594459		1	Sparkplug	
13	701052442		1	Recoil starter cpl	
14	701043861		1	.Spring	
15	701043860		1	.Starter rope	
16	701045750		1	.Handle	
17	100920406		1	.Ratchet	
18	701043863		1	.Spring	
19	701043864		1	.Spring	
20	701043865		1	.Friction plate	
21	701045598		1	.Washer	
22	701043868		1	.Lock ring	
23	700361782		1	.Carrier	
24	700361885		1	Carburettor, cpl.	
25	700833555		1	Stop button	
26	700363229		1	Oil alert	
27	700405534		2	U-bolt	
28	700738499		4	Washer	
29	700709459		4	Lock nut	

A) Not used any more



Ref. No.	Part No.	Rem.	Qty	Description	Code
1	700405604	A	1	Engine cpl	
2	700363178		1	Air cleaner cpl	
3	100901722		1	.Filter element	
4	700363230		1	.Cover	
5	700362751		1	.Gasket	
6	700362732		1	.Nut	
7	700362752		1	.Gasket	
8	700362461		1	Recoil starter cpl	
9	700361906		1	.Handle	
10	700361905		1	.Starter rope	
12	700361909		1	.Spring	
13	700362808		1	.Reel	
14	700361907		1	.Return spring	
15	700361908		1	.Ratchet	
16	700362809		1	.Spring	
17	700362810		1	.Cover	
18	700362811		1	.Plate	
19	700362812		1	.Washer	
20	700362813		1	.Lock ring	
21	700362814		1	.Carrier	
22	700362817		3	.Screw	
23	700362654		1	Fuel tank cpl	
24	700361913		1	.Filler cap	
25	700361914		1	.Fuel strainer	
26	700362763		1	.Gasket	
27	700362764		1	.Drain screw	
28	700362612		4	.Rubber	
29	700362652		1	Stay lower	
30	700362643		1	Stay upper	
31	700361915		1	Fuel filter cpl	
32	700362816		1	.Gasket	
33	700362649		1	Fuel cock	
34	700361916		1	O-ring	
35	700362650		1	Nut	
36	700362815		1	Nut	
37	700361910		1	Oil filter	
38	700361911		1	O-ring	
39	700361912		1	Screw	
40	700361902		1	Gasket	
41	700361903		1	Plug	
42	700361904		1	Washer	
43	700362754		1	Key	
44	700362818		2	Oil dip stick	
45	700363179		1	Muffler	
47	700362821		6	Screw	
48	700362822		1	Gasket	
49	700363180		1	Deflector	
50	700623547		4	Screw	
51	700738528		4	Washer	
52	700738500		4	Washer	
53	700709474		4	Lock nut	

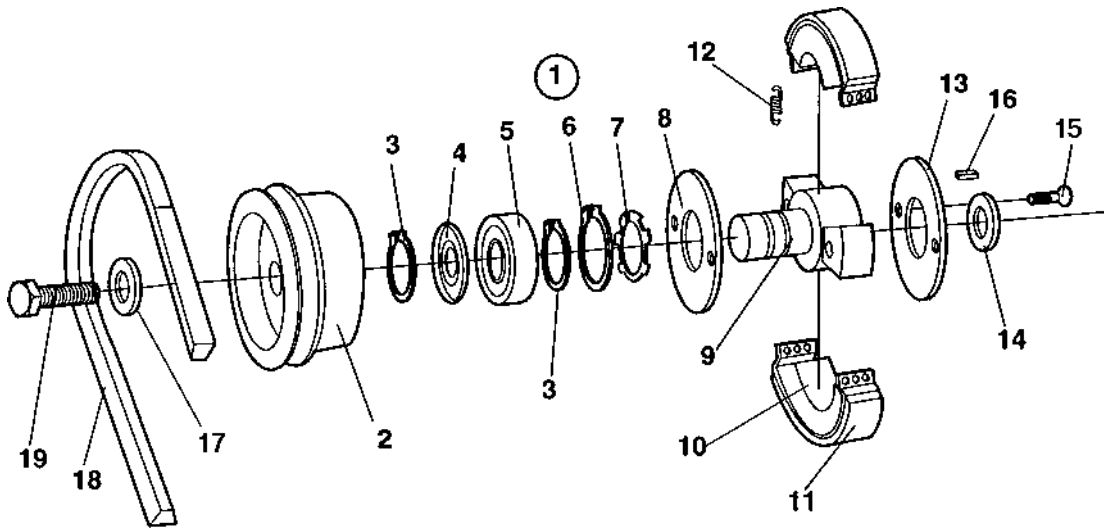
A) Not used any more

Ref. No.	Part No.	Rem.	Qty	Description	Code
		A	1	Engine	
1	100901745		1	Tank cap	
2	100901763		1	Fuel strainer	
3	100901754		1	Fuel filter	
4	100901768		1	Air filter element	
4-A	700363156		1	Gasket	
5	100901753		1	Oil filter	
6	100901769		1	Recoil starter cpl	
6-A	100911714		1	Spring	
6-B	100901766		1	Starter rope	
6-C	100901767		1	Handle	
6-D	100911715		2	Ratchet	
6-E	701043863		1	Spring	
6-F	701043864		1	Spring	
6-G	701043865		1	Friction plate	
7	100901770		1	Oil dip stick	
8-A	700363154		1	Muffler	
8-B	700363155		1	Protector	
8-C	700363156		1	Gasket	

A) Not used any more

Ref. No.	Part No.	Rem.	Qty	Description	Code
10				Centrifugal clutch (Page 26)	

TREMIX®
Centrifugal clutch
T0044



Centrifugal clutch

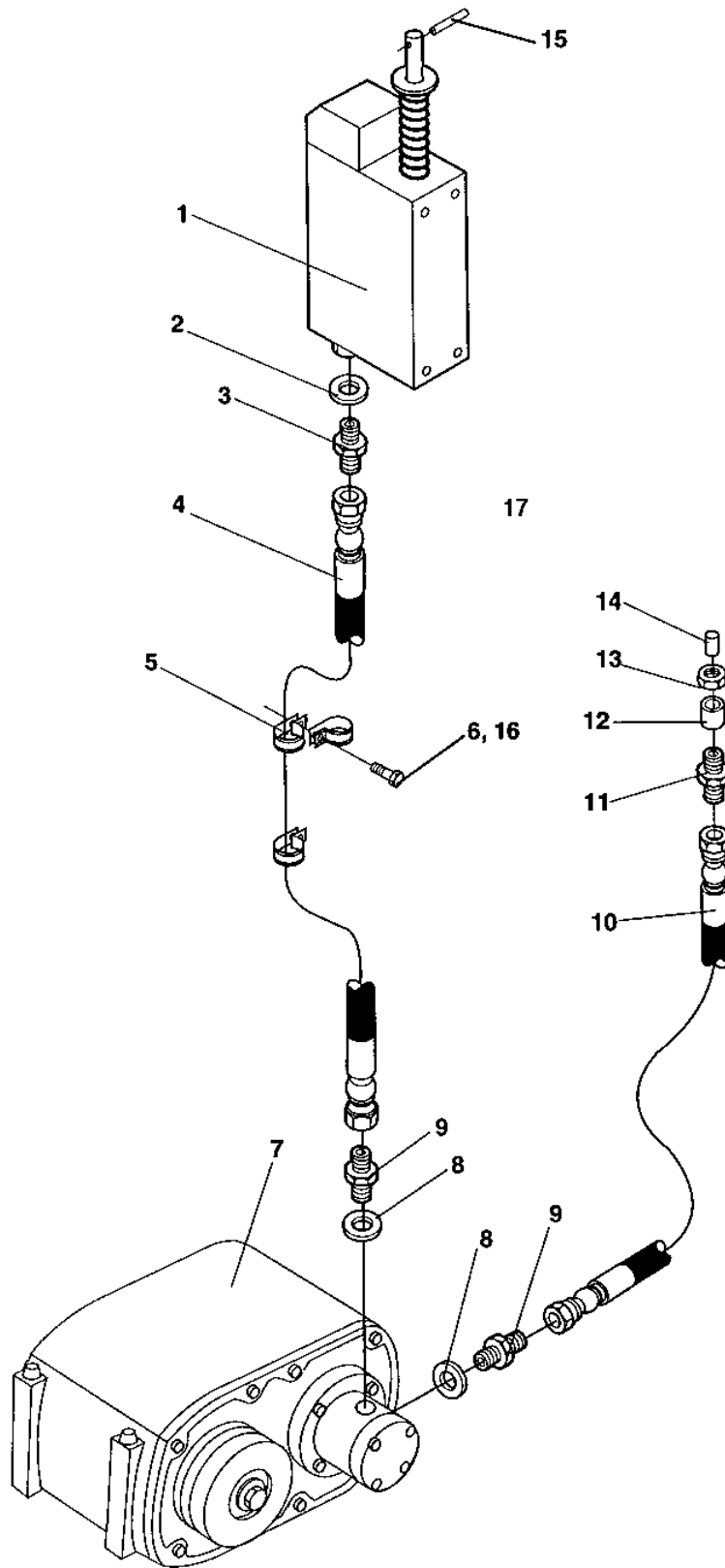
Ref. No.	Part No.	Rem.	Qty	Description	Code
1	100901010		1	Centrifugal clutch cpl	
2	939081		1	.V-belt pulley	
3	150015		2	.Snap ring	
4	938727		1	.Nilos ring	
5	938724		1	.Ball bearing	
6	938725		1	.Snap ring	
7	938532		1	.Retaining ring	
8	100901024		1	.Cover	
9	239856		1	.Hub	
10	100901032		2	.Centrifugal weight	
11	100901018		2	.Clutch lining	
12	936902		4	.Spring	
13	239857		1	.Cover	
14		A	1	Washer	
15	535002		2	Screw	
16	350015		1	Flat key	
17	100501029		1	Washer	
18	100901004	B	1	V-belt	
	100901015	C	1	V-belt	
19	513003		1	Screw	

A) Not used in this model

B) Engine Honda/Robin

C) Engine Yanmar

Ref. No.	Part No.	Rem.	Qty	Description	Code
10				Hydraulic system (Page 30)	



Ref. No.	Part No.	Rem.	Qty	Description	Code
1		A	1	Hydraulic control	
2	100901524		1	Washer	
3	100901525		1	Connector	
4	100507043		1	Hydraulic hose	
5	921039		2	Pipe clamp	
6	100900147		2	Screw	
7		B	1	Eccentric element	
8	100901524		2	Washer	
9	100901525		2	Connector	
10	100507039		1	Hydraulic hose	
11	100507033		1	Adapter	
12	100901523		1	Nipple	
13	100900218		1	Nut	
14	100901522		1	Plug	
15		A	1	Tension pin	
16	100900300		2	Washer	
17	100901431		1	Handle pump	

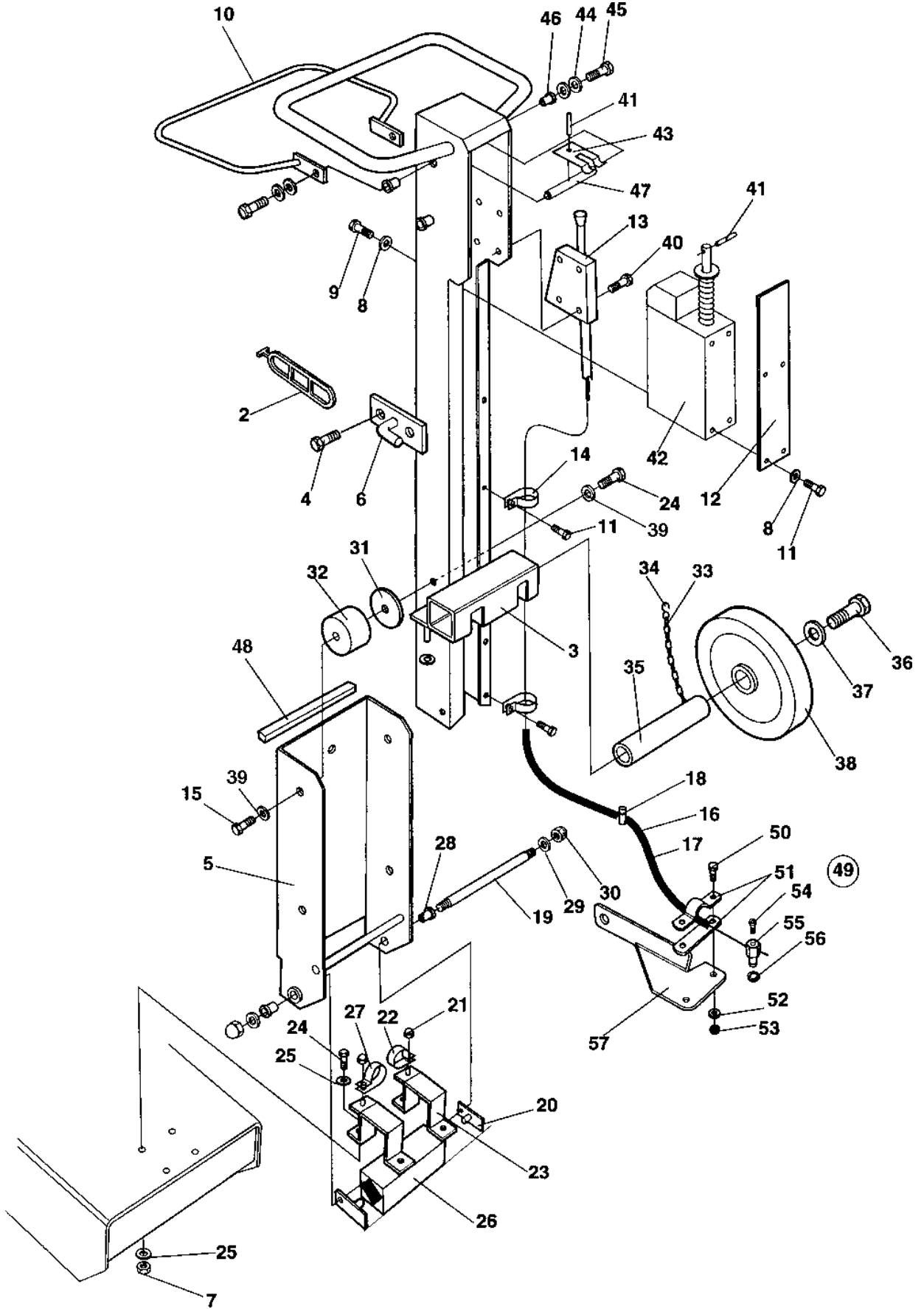
A) See section handle

B) See section eccentric element



Handle

Ref. No.	Part No.	Rem.	Qty	Description	Code
10				Handle (Page 34)	



Handle

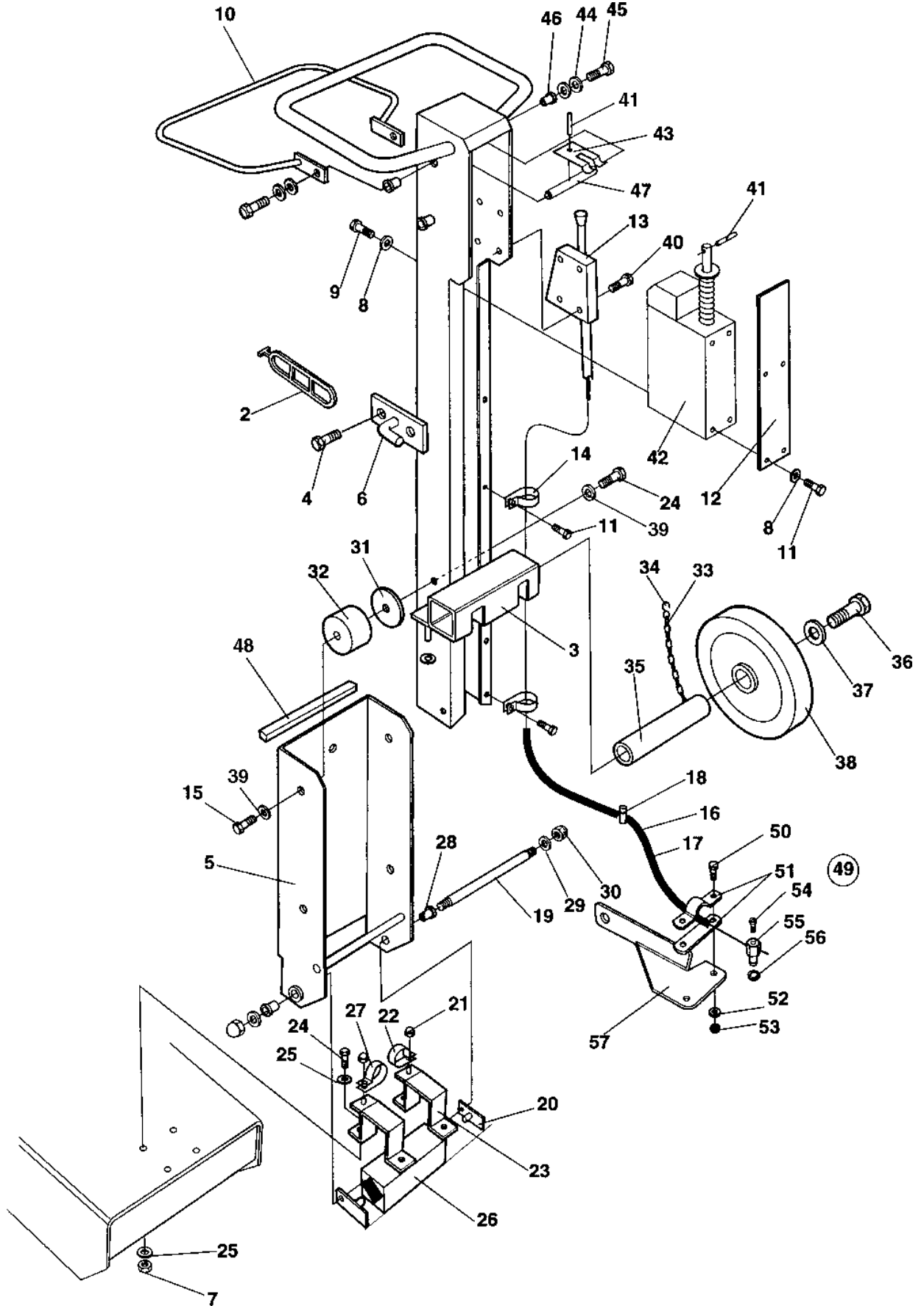
Ref. No.	Part No.	Rem.	Qty	Description	Code
1	100507026		1	Operating handle	
2	100901622		1	Strap	
3	100508032	D	1	Wheel stand	
	100508034	A	2	Locking screw	
	100508035	A	2	Clamp	
	100900302	A	2	Washer	
	100900323	A	2	Split pin	
4	513008		2	Screw	
5	100507034		1	Handle bracket	
6	100508060		1	Fixing hook	
7	570006		4	Nut M10	
8	100900300		9	Washer	
9	100900148		4	Screw	
10	100507031		1	Retainer	
11	100900147		6	Screw	
12	100507046		1	Cover plate	
13	100901610		1	Control	
14	100900400		2	Clamp	
15	500043		4	Screw M10x16H 8,8	
16	929109		1	Hose	D
17	100901611		1	Control cable	
18	100507049		1	Nipple	
19	100507038		1	Stud	
20	100507036		2	Retainer	
21	581018		2	Nut	
22	100900445		1	Clamp	
23	100507042		2	Clamp	
24	500048		4	Screw M10-1,5x20 8,8	
25	904229		8	Washer 8,4x16x1,5	
26	100900812		1	Shock absorber	
27	100900435		1	Clamp	
28	100507037		2	Sleeve	
29	100900330		2	Washer	
30	100900211		2	Nut	
31	100507029		4	Washer	
32	100900808		4	Shock absorber	
33	100901338	B	2	Plastic hose	
34	100900426	B	2	S-hook	
35	100501316	B	2	Shaft	
36	910159	B	2	Screw	
37	100501347	B	2	Washer	
38	100901607	B	2	Wheel	
39	904230		8	Washer 10,5x22x2	
40	100910107		4	Screw	
41	100800328		2	Tension pin	
42	100901429		1	Hydraulic control	
	100901430		1	.Gasket kit	
43	100507028		1	Fork	
44	100900329		2	Washer	
45	100900151		2	Screw	
46	100900632		2	Slide bearing	
47	100507030		1	Shaft	
48	100507055		1	Rubber protection	
49	465013		1	Clamp	D
50		C	1	.Screw	D
51		C	1	.Bracket	D
52		C	1	.Washer	D
53		C	1	.Nut	D
54	239315		1	Screw	
55	239313		1	Nipple	
56	239314		1	Clamp	

A) Old version

B) Option

C) Included in 465013

D) Welved with handle





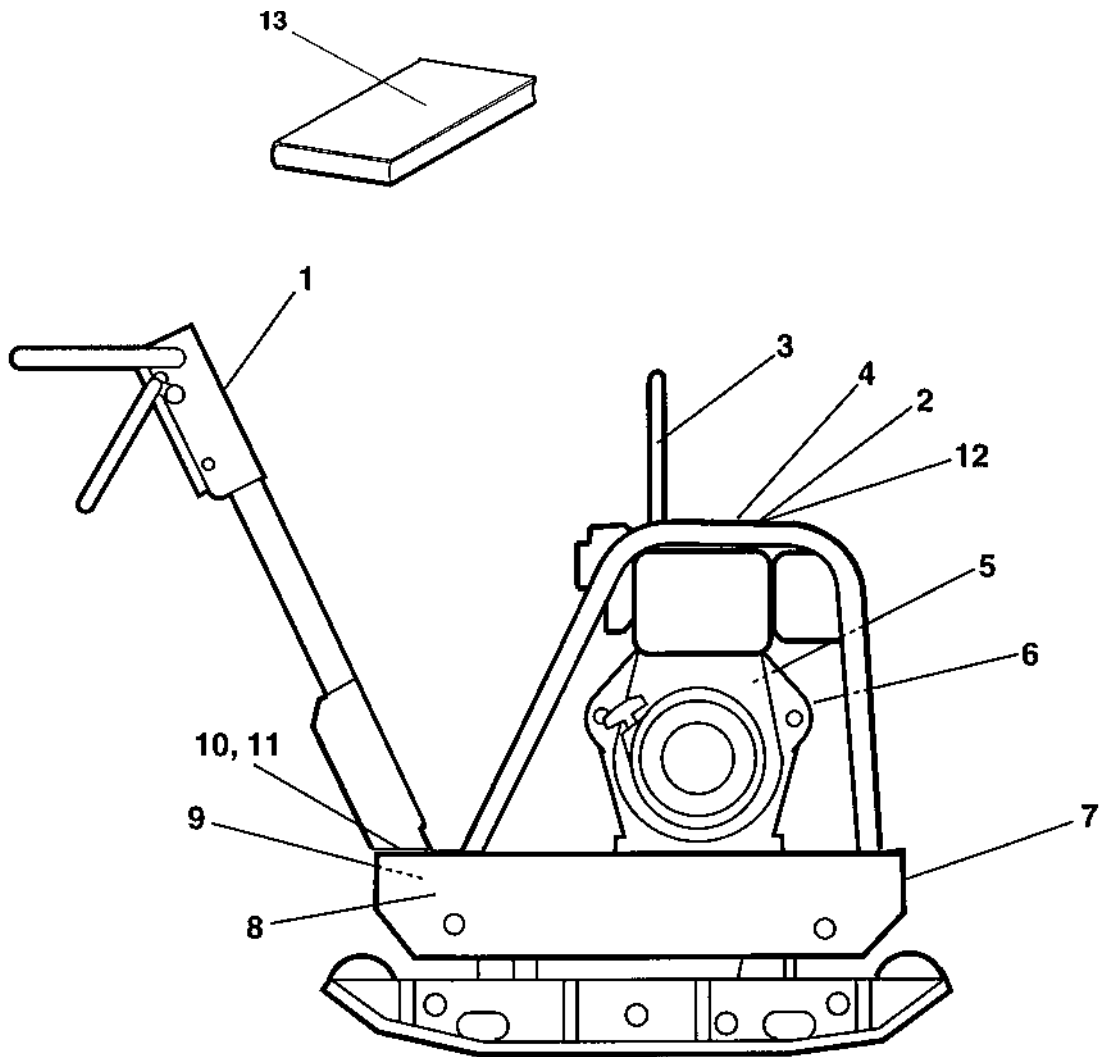
Handle

Ref. No.	Part No.	Rem.	Qty	Description	Code
57	100508059		1	Bracket	



Decals and documentation

Ref. No.	Part No.	Rem.	Qty	Description	Code
10				Decals and documentation (Page 40)	



Decals and documentation

Ref. No.	Part No.	Rem.	Qty	Description	Code
1	100504272		1	Decal, driving direction	
2	904680	A	1	Decal "Read instruction manual"	
3	281269		2	Decal "LIFT"	
4	281898		1	Decal, ear protection	
5	100501275		1	Decal, Tremix	
6	903832	A	1	Safety decal	
	100500548	B,C	1	Decal "SAFETY"	
7	100501276		1	Decal, Tremix	
8	100508063		1	Decal	
9	100508064		1	Decal	
10	385135SE	A	1	Identification plate	
	100504810	B,C	1	Identification plate	
11	527002	A	4	Drive screw	
	527002	B,C	4	Drive screw	
12	791295	A	1	.Decal "Sound power level"	
13		A	1	Documentation	
			1	.Instruction book, engine	
			1	.Operation IMV145	
			1	.Spareparts catalogue SMV145	

- A) Engine Honda
- B) Engine Yanmar
- C) Engine Robin

NUMERICAL INDEX

Part Number	Page	Part Number	Page	Part Number	Page
002518	15	100900426	35	239379	15
100500548	41	100900435	35	239380	15
100501029	27	100900437	11	239381	15
100501275	41	100900445	35	239391	15
100501276	41	100900507	11	239565	15
100501316	35	100900628	11	239682	15
100501347	35	100900629	11	239856	27
100502016	11	100900630	11	239857	27
100504272	41	100900632	35	239889	15
100504609	15	100900721	11	239890	15
100504810	41	100900722	11	239892	15
100504811	15	100900723	11	239894	15
100507001	11	100900727	11	280897	7
100507004	11	100900807	7	281115	15
100507010	11	100900808	35	281234	15
100507011	11	100900811	7	281269	41
100507012	11	100900812	35	281898	41
100507013	11	100900901	11	282152	7
100507014	11	100900902	11	313001	15
100507015	11	100901004	27	350015	27
100507017	11	100901010	27	382879	17
100507018	11	100901011	11	385135SE	41
100507019	11	100901015	27	465013	35
100507020	11	100901018	27	500015	11
100507021	11	100901024	27	500018	7
100507022	11	100901032	27	500035	7
100507023	11	100901338	35	500040	11
100507024	11	100901382	15	500042	7
100507026	35	100901429	35	500043	35
100507028	35	100901430	35	500047	11
100507029	35	100901431	31	500048	7,35
100507030	35	100901522	11,31	500117	7
100507031	35	100901523	31	508057	15
100507033	31	100901524	31	513003	7,27
100507034	35	100901525	31	513008	35
100507036	35	100901607	35	527002	41
100507037	35	100901610	35	535002	27
100507038	35	100901611	35	570006	35
100507039	31	100901622	35	570007	7
100507040	7	100901722	21	581018	35
100507042	35	100901745	23	600004	11
100507043	31	100901753	23	600006	11
100507046	35	100901754	23	600008	11
100507049	35	100901763	23	615045	7
100507055	35	100901766	23	700361718	17
100508005	11	100901767	23	700361731	19
100508032	35	100901768	23	700361754	17
100508034	35	100901769	23	700361757	17
100508035	35	100901770	23	700361759	17
100508036	7	100910107	35	700361762	17
100508039	7	100910146	7	700361766	17
100508049	7	100910155	11	700361770	17
100508055	7	100910169	11	700361778	17
100508058	7	100911714	23	700361782	19
100508059	35,37	100911715	23	700361872	17
100508060	35	100920406	19	700361873	17
100508063	41	150012	11	700361885	19
100508064	41	150015	11,27	700361902	21
100800328	35	150805700	7	700361903	21
100900105	17	238301	15	700361904	21
100900123	11	238303	15	700361905	21
100900147	31,35	238309	15	700361906	21
100900148	35	239062	15	700361907	21
100900151	35	239063	15	700361908	21
100900203	11,15	239065	15	700361909	21
100900211	35	239067	15	700361910	21
100900218	31	239313	35	700361911	21
100900300	31,35	239314	35	700361912	21
100900302	35	239315	35	700361913	21
100900311	11	239321	15	700361914	21
100900312	11	239323	15	700361915	21
100900323	35	239324	15	700361916	21
100900329	35	239374	15	700362461	21
100900330	35	239375	15	700362515	17
100900331	11	239376	15	700362516	17
100900332	11	239377	15	700362518	17
100900400	35	239378	15	700362519	17

SMV145-1EN1

NUMERICAL INDEX

Part Number	Page	Part Number	Page	Part Number	Page
700362521	17	701045574	19		
700362612	21	701045598	19		
700362643	21	701045750	19		
700362649	21	701052442	19		
700362650	21	701052813	19		
700362652	21	701052934	19		
700362654	21	701052935	19		
700362732	21	791295	41		
700362751	21	903832	41		
700362752	21	904229	7,15,35		
700362754	21	904230	7,15,35		
700362763	21	904231	7,11		
700362764	21	904385	11		
700362777	17	904680	41		
700362779	17	910159	35		
700362780	17	921039	31		
700362781	17	929109	35		
700362808	21	935802	15		
700362809	21	936902	27		
700362810	21	938532	27		
700362811	21	938724	27		
700362812	21	938725	27		
700362813	21	938727	27		
700362814	21	939081	27		
700362815	21				
700362816	21				
700362817	21				
700362818	21				
700362821	21				
700362822	21				
700362830	17				
700362831	17				
700362832	17				
700362833	17				
700362834	17				
700362835	17				
700362836	17				
700362837	17				
700362847	17				
700363021	17				
700363120	17				
700363136	17				
700363141	17				
700363154	23				
700363155	23				
700363156	23				
700363178	21				
700363179	21				
700363180	21				
700363227	17				
700363229	19				
700363230	21				
700404581	17				
700404706	19				
700405534	17,19				
700405604	21				
700594459	19				
700623547	21				
700656479	17				
700693461	17				
700709459	17,19				
700709474	21				
700738499	17,19				
700738500	21				
700738528	21				
700833555	19				
701033723	19				
701033726	19				
701043860	19				
701043861	19				
701043863	19,23				
701043864	19,23				
701043865	19,23				
701043868	19				
701045336	19				
701045342	19				
701045343	19				

