

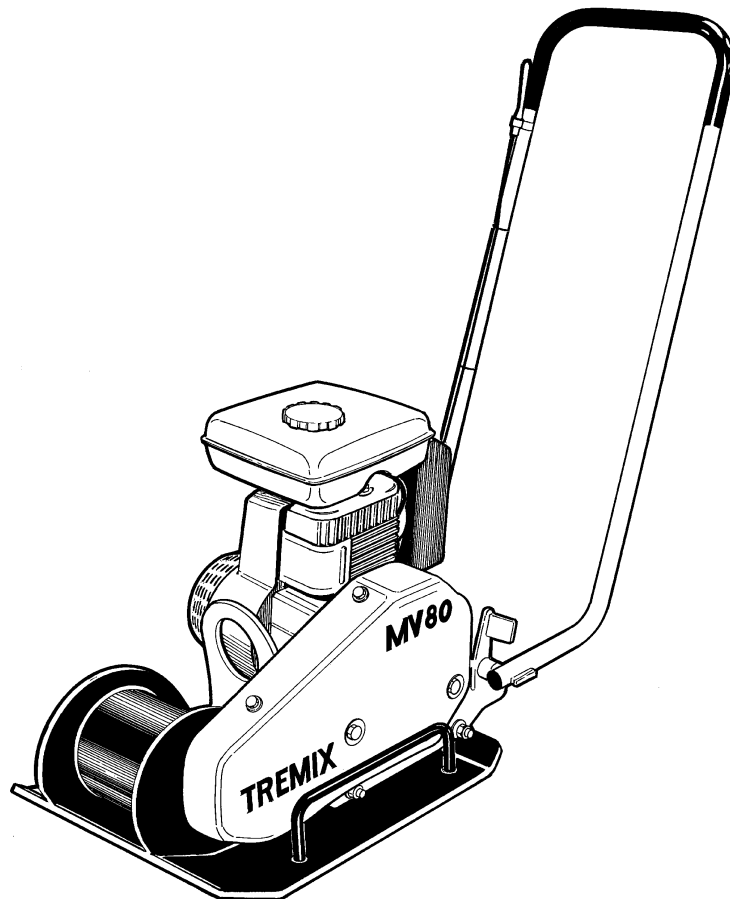
# TREMIX

## Soil compactor

### MV 80

## SPARE PARTS CATALOGUE

SMV080-1EN1



**TREMIX®**

Metso Construction Equipment AB  
Stensåtravägen 9, Box226  
SE- 127 24 Skärholmen, Sweden  
Tel: +46 8 603 32 00    Telefax: +46 8 646 72 61



**Soil compactor  
MV 80  
Spare Parts Catalogue  
SMV080 -1EN1**

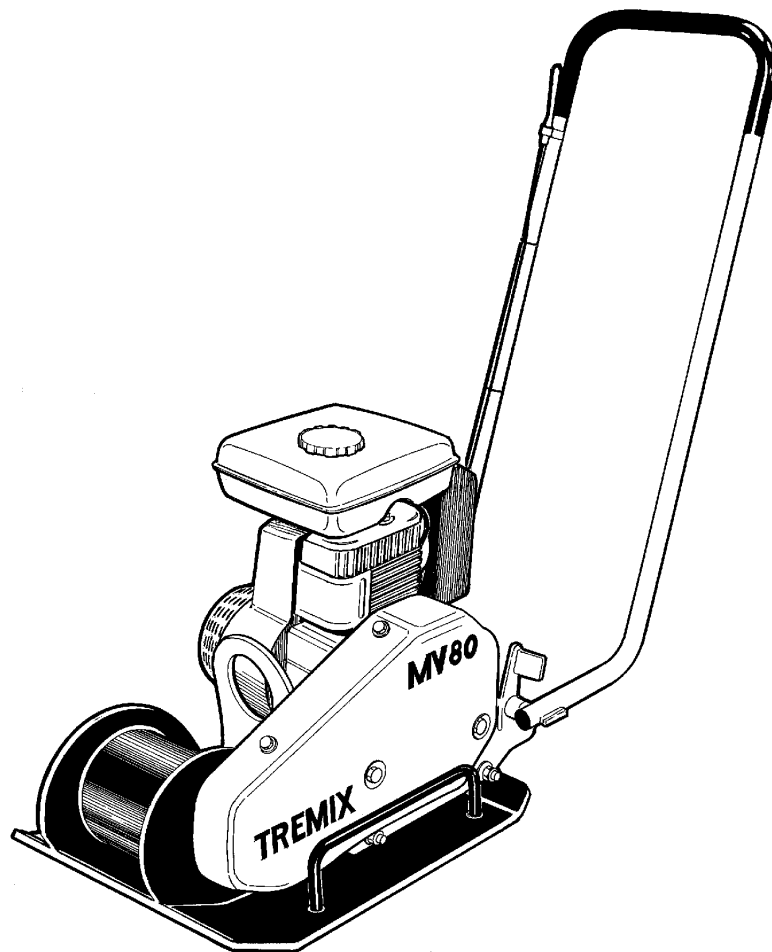
*Engines:*

*Honda G200*

*Honda GX160*

*Published catalogue issues valid for these compactors*

<i>Catalogue</i>	<i>Issue date</i>
SMV080-1EN1	2002-02



## RESERVDLSBESTÄLLNING

Följande uppgifter ska lämnas vid beställning av reservdelar för att undvika leveransfel:

1. Maskintyp.
2. Vältensserienummer.
3. Antal av önskad reservdel.
4. Reserdelens artikelnummer.
5. Reservdelens benämning.
6. Måttuppgifter vid beställning av metervara.

## ERSATZTEILBESTELLUNG

Zur Vermeidung von Fehllieferungen sind bei der Bestellung von Ersatzteilen folgende Angaben zu machen:

1. Maschinentyp.
2. Herstellungsnummer.
3. Bestellmenge. (Quantity)
4. Ersatzteilnummer. (Part N°)
5. Ersatzteilbenennung. (Denomination)
6. Massangaben bei Bestellung von Meterware.

## PEDIDO DE RECAMBIOS

Para evitar errores en las entregas, deberán indicarse los siguientes datos al hacer un pedido de recambios:

1. Tipo de máquina.
2. Número de serie.
3. Cantidad de piezas deseadas. (Quantity)
4. Número de artículo de la pieza de recambio. (Part N°)
5. Denominación de la pieza. (Denomination)
6. Indíquese la medida al solicitar un artículo que se expide por metros.

## ORDERING SPARE PARTS

To avoid errors in delivery, please give the following information when ordering spare parts:

1. Type of machine.
2. Roller serial number.
3. Quantity required.
4. Part number.
5. Parts denomination.
6. Dimensions when ordering per length.

## ORDINI DI RICAMBI

Per evitare errori nelle consegne di ricambi, Vi preghiamo di comunicarci le seguenti informazioni al momento dell'ordinazione:

1. Tipo di macchina.
2. Numero di serie della macchina.
3. Quantità dei pezzi desiderati. (Quantity)
4. Numero di codice del pezzo. (Part N°)
5. Descrizione del pezzo di ricambio. (Denomination)
6. Misura, in caso di ordine per metro.

## COMMANDE DE PIÉCES DE RECHANGE

Les indications suivantes doivent être fournies lors de la commande de pièces de rechange, afin d'éviter toute erreur de livraison:

1. Type de machine.
2. Numéro de série.
3. Quantité désirée de pièce de rechange. (Quantity)
4. Numéro de la pièce de rechange. (Part N°)
5. Dénomination de la pièce de rechange. (Denomination)
6. Longueur en cas de commande au mètre.

**YOUR AGENT/DEALER:**





## PÄRMETIKETT

För att undvika fel vid reservdelsbeställning finns här nedan två etiketter som passar i fickorna på pärmarnas ryggar. På dessa kan man se från vilket vältnummer av aktuell maskin reservdelskatalogen gäller. Gör så här:

1. Tag denna sida ur pärmern.
2. Klipp ut etiketten till VÄNSTER (1) och sätt in den i fickan på DENNA pärmens rygg.
3. Finns det en etikett till HÖGER (2), kan denna användas på pärmern för FÖREGÅENDE utgåva av denna katalog.
4. Kasta detta papper.

## KATALOG-BESCHRIFTUNG

Zur Vermeidung von Fehlern bei der Ersatzteilbestellung benutzen Sie bitte die unteren Beschriftungen, um die Kataloge auf der Rückseite zu kennzeichnen. Auf der Beschriftung ist angegeben, für welche Maschinennummern der jeweilige Katalog gültig ist. Ablauf:

1. Nehmen Sie dieses Blatt aus dem Katalog.
2. Schneiden Sie die LINKE Beschriftung (1) aus. Schieben Sie die Beschriftung in die tasche auf DEM Katalogrücke.
3. Sollte die Beschriftung unten RECHTS (2) mitgeliefert werden, kennzeichnen Sie damit bitte die ÄLTERE Ausführung dieses Kataloges.
4. Den Rest dieses Blattes bitte vernichten.

## ETIQUETA PARA LA CARPETA

Para evitar errores al pedir repuestos utilicen las etiquetas abajo descritas para identificar los catálogos en la parte trasera de la carpeta. En la etiqueta se ven los números de referencia de la serie para la cual es válido el catálogo. Instrucciones:

1. Quitar esta página de la carpeta.
2. Corta la etiqueta IZQUIERDA (1) y ponerla en esta carpeta en la parte trasera.
3. Si hay una etiqueta en la parte DERECHA (2) se puede utilizar en la carpeta para el catálogo que PRECEDE a esta.
4. Tirar esta hoja.

## BINDER LABEL

To avoid errors when ordering spare parts use the labels below to identify the catalogues on the back of the binder. The label contain the serial number range for which the catalogue is valid. Do like this:

1. Remove this page from the binder.
2. Cut out the LEFT label (1) and put it on THIS binders back.
3. If there is a label to the RIGHT (2), it can be used on the binder for PRECEDING issue of this catalogue.
4. Throw away this paper.

## ETICHETTA POSTA SUL RACCOGLITORE

Per evitare errori quando ordinate pezzi di ricambio, usate le etichette in calce che servono ad identificare i cataloghi sul retro del raccoglitore. L'etichetta indica il numero di matricola delle macchine prese in considerazione nel catalogo.

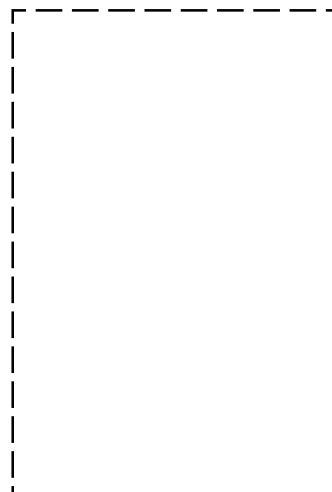
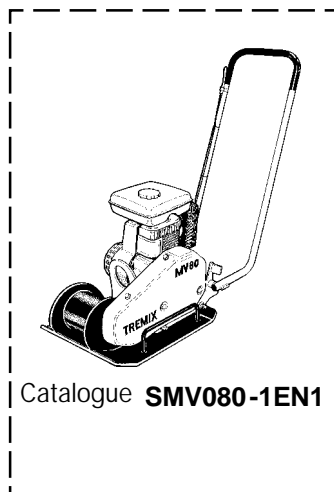
1. Rimuovete questa pagina dal raccoglitore.
2. Ritagliate l'etichetta posta a SINISTRA (1) e ponetela sul retro DEL raccoglitore.
3. Se trovate anche un'etichetta sulla DESTRA (2), ritagliatela e ponetela sul raccoglitore relativo alla PRECEDENTE edizione del catalogo.
4. Distruggete questo foglio.

## ETIQUETAGE DU CATALOGUE

Afin d'éviter des erreurs lors de commandes de pièces de rechange, nous vous conseillons d'apposer les marquages ci-dessous à l'arrière du classeur, pour identifier les catalogues. Ce marquage indique les numéros de série pour lesquels le catalogue est adapté. Il convient de procéder de la façon suivante:

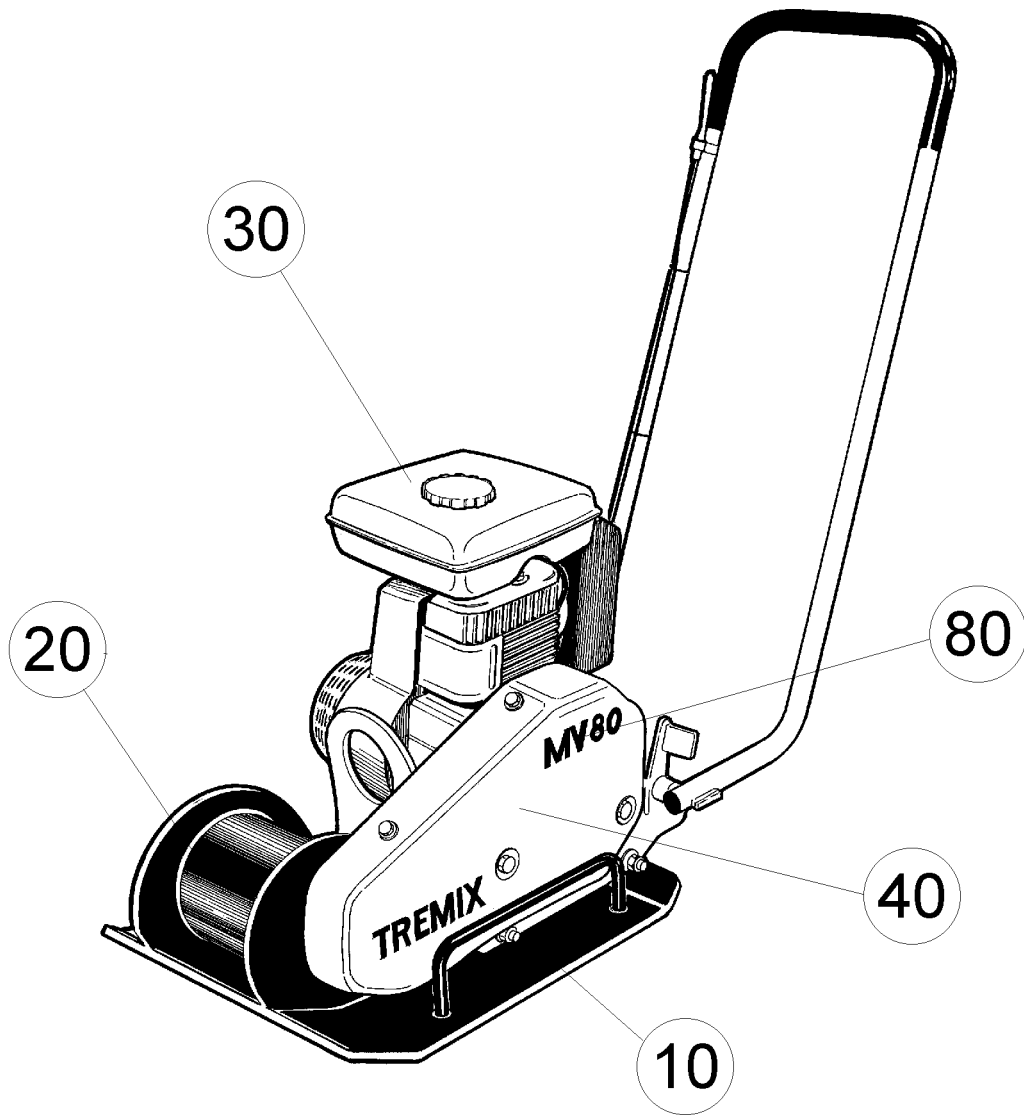
1. Retirez cette page du classeur.
2. Découpez l'étiquette de GAUCHE (1), et apposez-la à l'arrière de CE catalogue.
3. Si il y a une étiquette à DROITE (2), vous pourrez l'apposer sur le classeur de l'édition PRECEDENTE du catalogue.
4. Détruire cette feuille.

1.





	<b>MV80</b> .....	<b>2</b>
	<b>Ground plate and engine plate</b> .....	<b>4</b>
	Ground plate and engine plate .....	6
	Option, sprinkler system .....	8
	Option, transport device .....	10
	<b>Eccentric element</b> .....	<b>12</b>
	Eccentric element .....	14
	<b>Engine</b> .....	<b>16</b>
	Engine Honda G200 SA3T .....	18
380306	Engine Honda G200 SAM4 .....	20
	Petrol engine Honda GX160 K1SX .....	22
	<b>Transmission</b> .....	<b>24</b>
	Power transmission .....	26
	<b>Decals and documentation</b> .....	<b>28</b>
	Decals and documentation .....	30

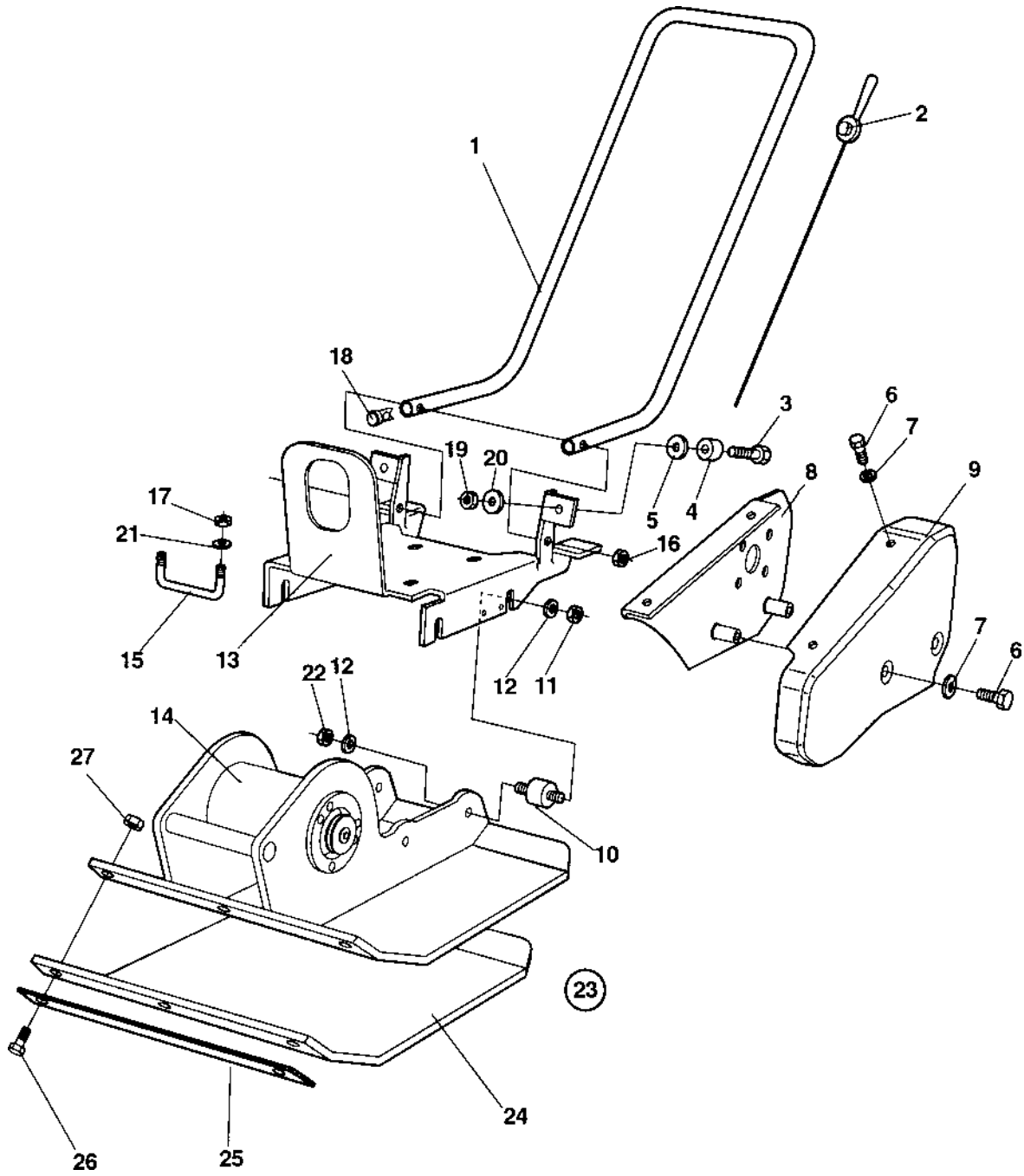


<b>Ref. No.</b>	<b>Part No.</b>	<b>Rem.</b>	<b>Qty</b>	<b>Description</b>	<b>Code</b>
10				Ground plate and engine plate ( Page 4 )	
20				Eccentric element ( Page 12 )	
30				Engine ( Page 16 )	
40				Transmission ( Page 24 )	
80				Decals and documentation ( Page 28 )	



**Ground plate and engine plate**

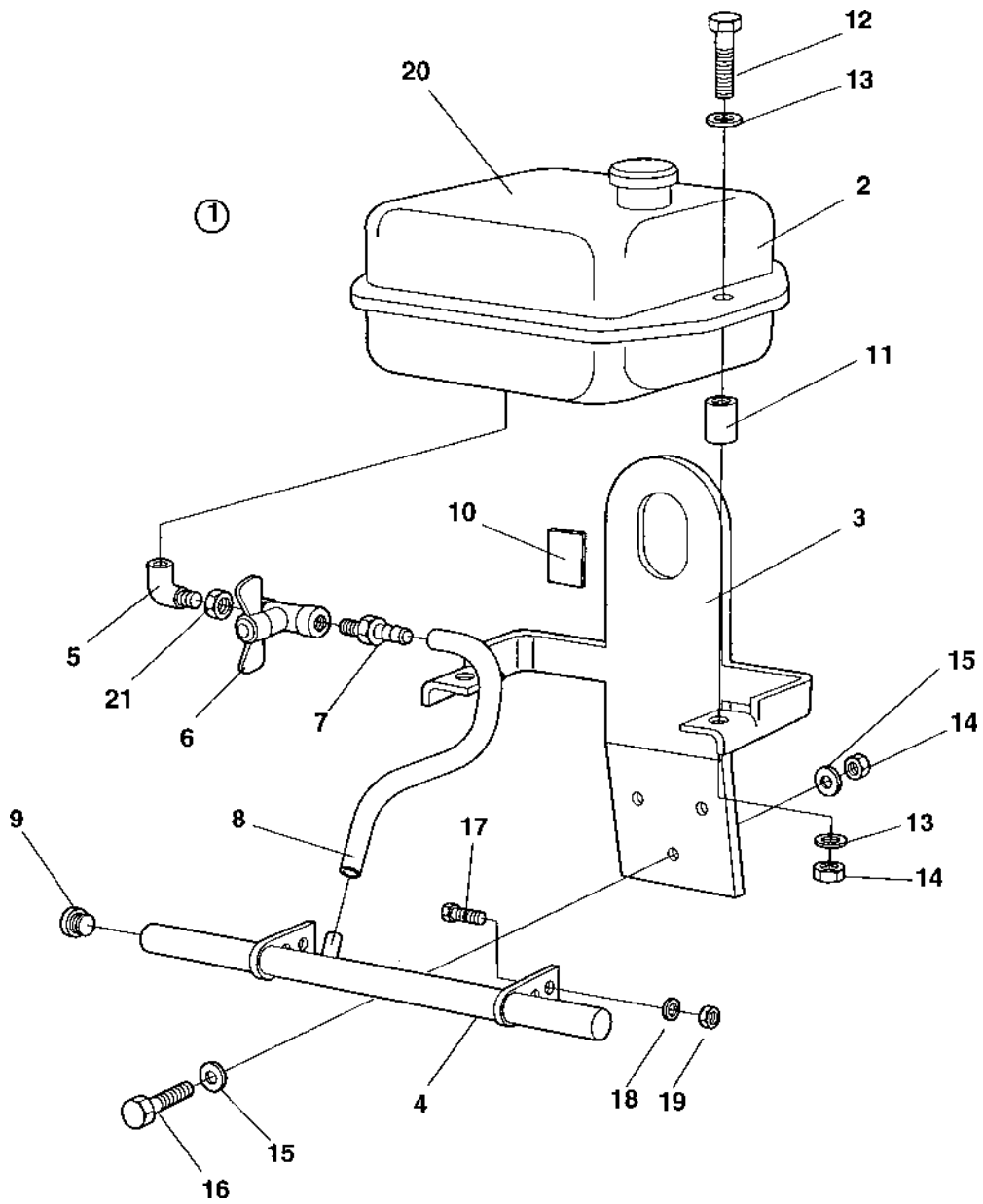
<b>Ref. No.</b>	<b>Part No.</b>	<b>Rem.</b>	<b>Qty</b>	<b>Description</b>	<b>Code</b>
10				Ground plate and engine plate ( Page 6 )	
20				Option, sprinkler system ( Page 8 )	
30				Option, transport device ( Page 10 )	



**Ground plate and engine plate**

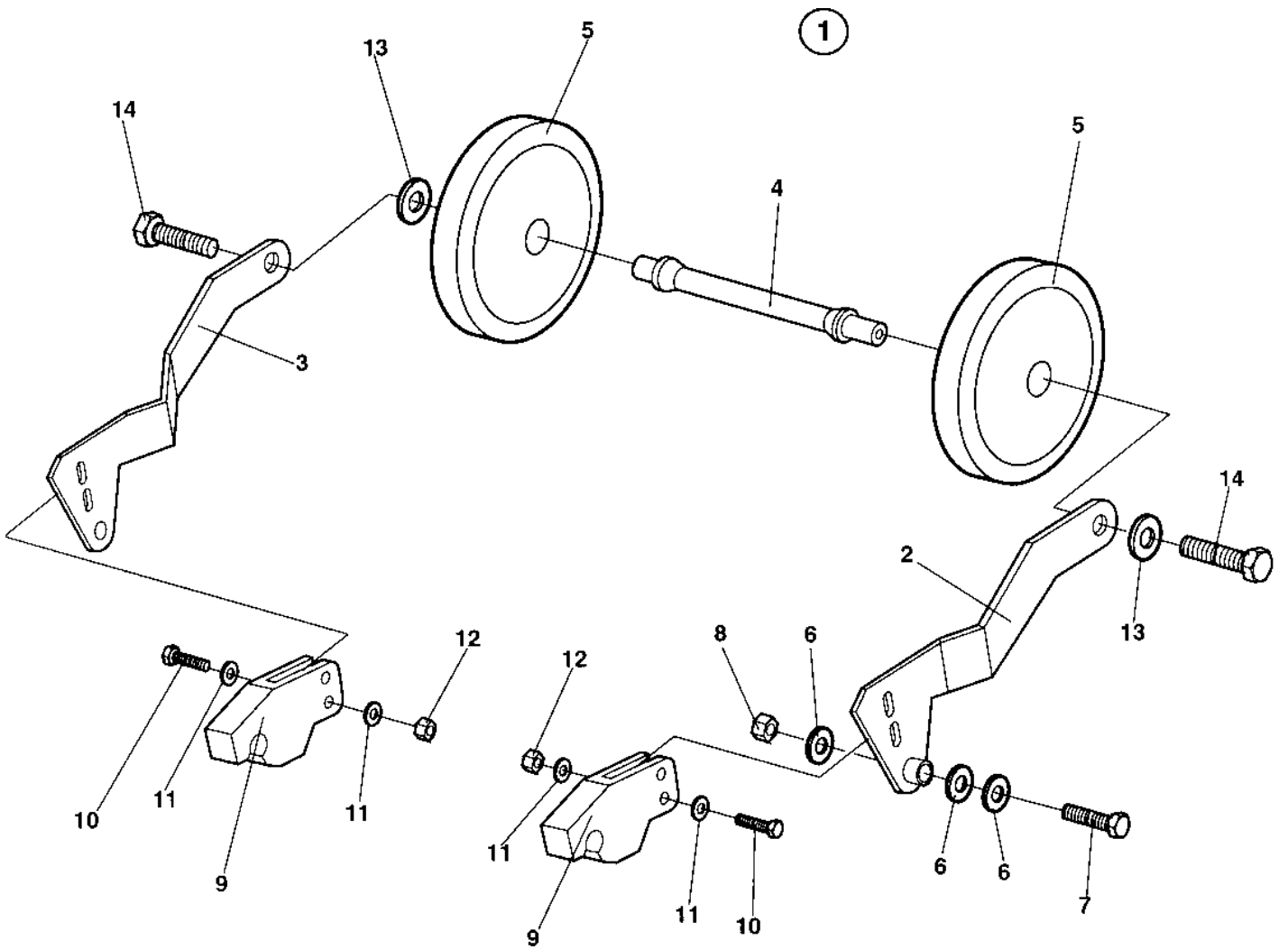
<b>Ref. No.</b>	<b>Part No.</b>	<b>Rem.</b>	<b>Qty</b>	<b>Description</b>	<b>Code</b>
1	282541		1	Handle	
2	284547		1	Throttle control	Up to 28203199
3	791322		2	Screw	
4	282561		2	Spacer	
5	904567		2	Washer 10,5x28x6	
6	500019		4	Screw M8-1,25x16	8,8
7	904229		4	Washer 8,4x16x1,5	
8	282543		1	Belt guard, inner	Up to 28203199
	386147		1	Belt guard, inner	From 28203200
9	284548-10		1	Belt guard, outer	
10	282547		4	Shock absorber	
11	586018		4	Lock nut M10	
12	904230		8	Washer 10,5x22x2	
13	282545-10		1	Engine plate	
14			1	Ground plate, cpl	
15	282078		2	Governor yoke	
16	284544		2	Bushing , nylon	
17	586003		4	Lock nut M8	
18	282079		2	Bushing	
19	586002		2	Lock nut M6	
20	904228		2	Washer 6,4x12x1,5	
21	904229		4	Washer 8,4x16x1,5	
22	791172		4	Nut	
23		C	1	Polyurethane plate, cpl	
24			1	.Polyurethane plate	
25			1	.Bracket	
26			3	.Screw	
27			1	.Nut	

C) Not used in this model



**Option, sprinkler system**

<b>Ref. No.</b>	<b>Part No.</b>	<b>Rem.</b>	<b>Qty</b>	<b>Description</b>	<b>Code</b>
1			1	Sprinkler system	
2	283685		1	.Tank, cpl	
3	282558		1	.Bracket	
4	380413		1	.Sprinkler pipe	
5	282569		1	.Connector	
6	282570		1	.Ball valve	
7	901650		1	.Nipple	
8	902160		1	.Plastic hose	
9	287370		2	.Plug	
10	281269		1	.Decal "LIFT"	
11	380942		2	.Spacer	
12	500026		2	.Screw	
13	904229		4	.Washer 8,4x16x1,5	
14	586003		5	.Lock nut M8	
15	904556		5	.Washer 8,4x16x3,0	
16	500021		3	.Screw M8-1,25x25 8,8	
17	500015		4	.Screw M6-1x30 8,8	
18	904228		8	.Washer 6,4x12x1,5	
19	586002		4	.Lock nut M6	
20	271419		1	.Decal "WATER"	
21	232150		1	.Nut	

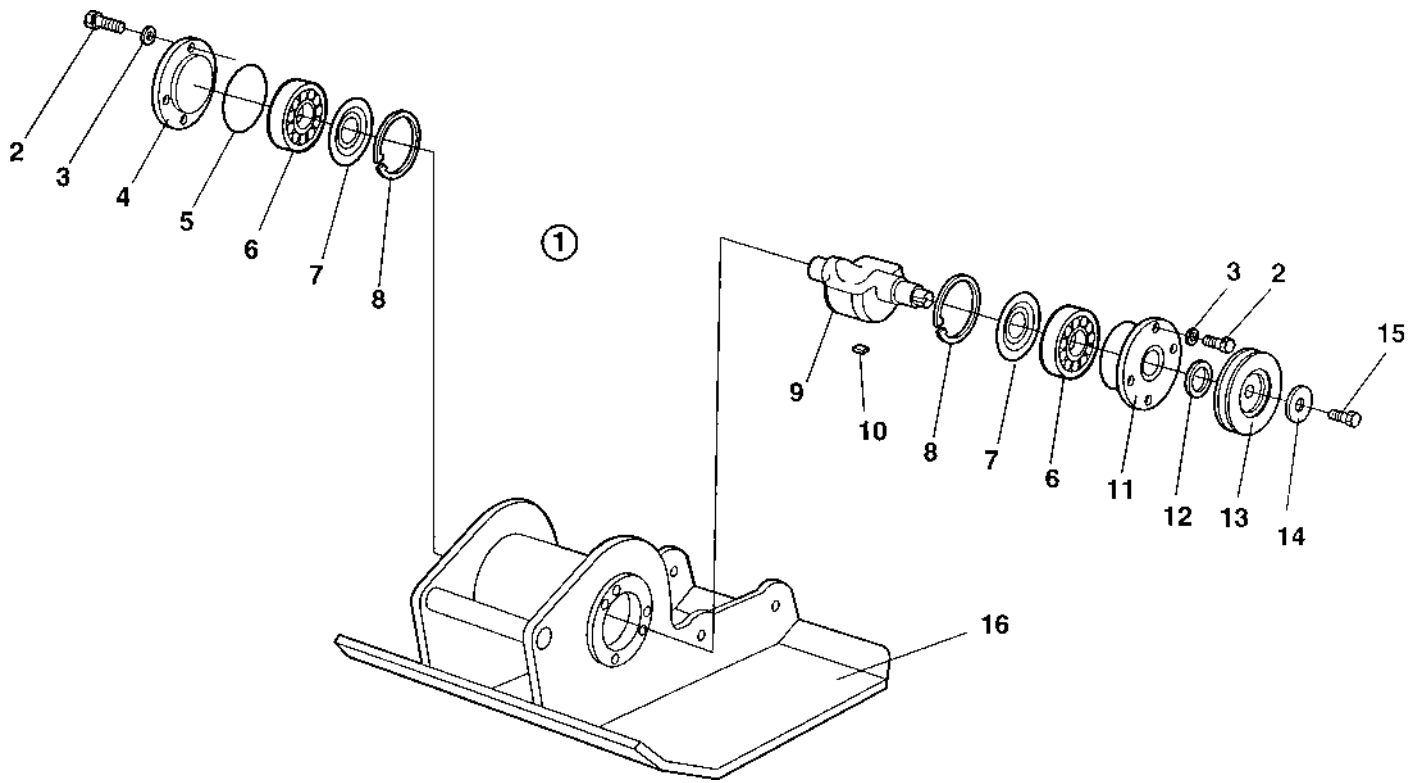


**Option, transport device**

<b>Ref. No.</b>	<b>Part No.</b>	<b>Rem.</b>	<b>Qty</b>	<b>Description</b>	<b>Code</b>
1			1	Transport device, cpl	
2	383578		1	.Arm left	
3	383583		1	.Arm right	
4	384812		1	.Shaft	
5	383582		2	.Wheel	
6	904230		6	.Washer 10,5x22x2	
7	500161		2	.Screw	
8	586018		2	.Lock nut M10	
9	383584		2	.Clip	
10	500087		4	.Screw	
11	904281		8	.Washer	
12	586001		4	.Lock nut M5	
13	904229		2	.Washer 8,4x16x1,5	
14	500021		2	.Screw M8-1,25x25 8,8	



Ref. No.	Part No.	Rem.	Qty	Description	Code
10				Eccentric element ( Page 14 )	

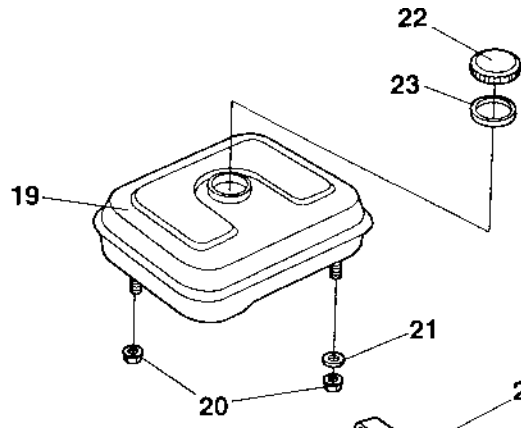
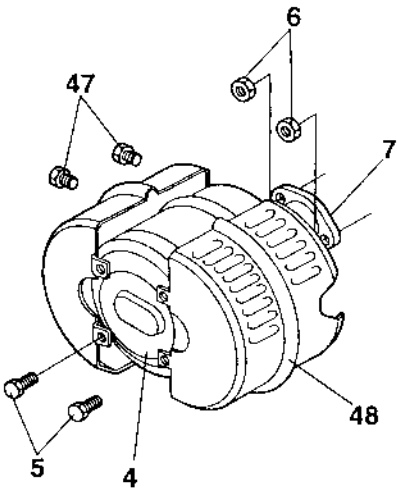


<b>Ref. No.</b>	<b>Part No.</b>	<b>Rem.</b>	<b>Qty</b>	<b>Description</b>	<b>Code</b>
1			1	Gound plate,cpl	
2	500013		8	.Screw M6-1x16 8,8	
3	904228		8	.Washer 6,4x12x1,5	
4	282157		1	.Cover	
5	160033		2	.O-ring	D
6	902005		2	.Bearing	D
7	903360		2	.Nilos ring	
8	151029		2	.Snap ring	D
9	284553		1	.Eccentric shaft	
10	351041		1	.Key	
11	282156		1	.Cover	
12	901654		1	.Seal ring	
13	284526		1	.Pulley	
14	901688		1	.Washer	
15	500053		1	.Screw M8-1,25x20 8,8	
16	384010		1	.Ground plate	

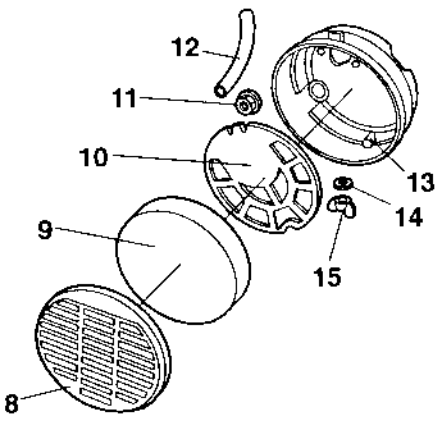
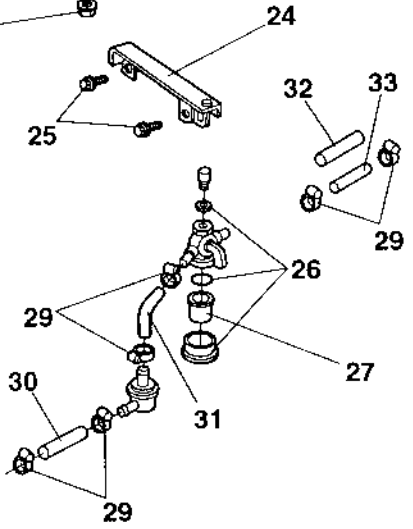
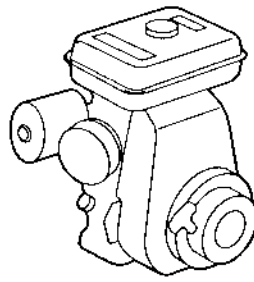


**Engine**

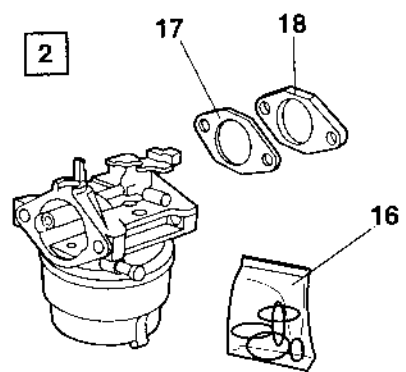
<b>Ref. No.</b>	<b>Part No.</b>	<b>Rem.</b>	<b>Qty</b>	<b>Description</b>	<b>Code</b>
10				Engine Honda G200 SA3T ( Page 18 )	
20	380306			Engine Honda G200 SAM4 ( Page 20 )	
30				Petrol engine Honda GX160 K1SX ( Page 22 )	



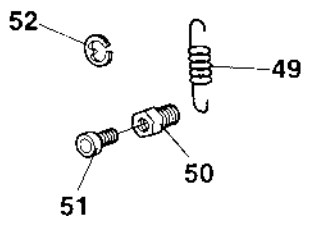
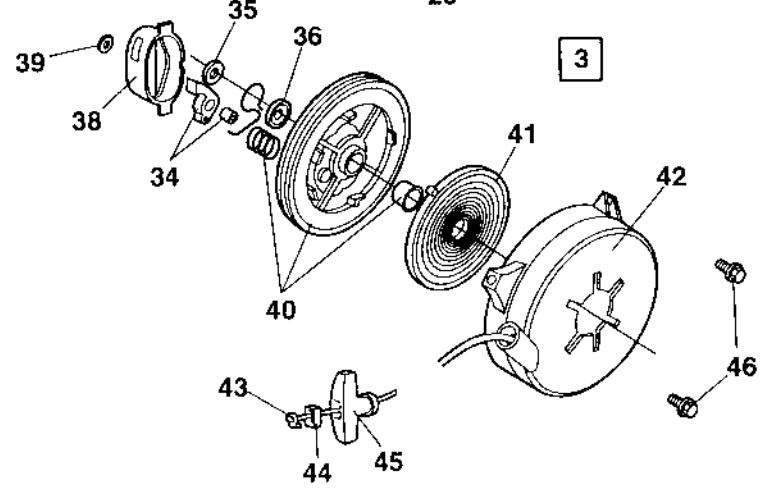
1



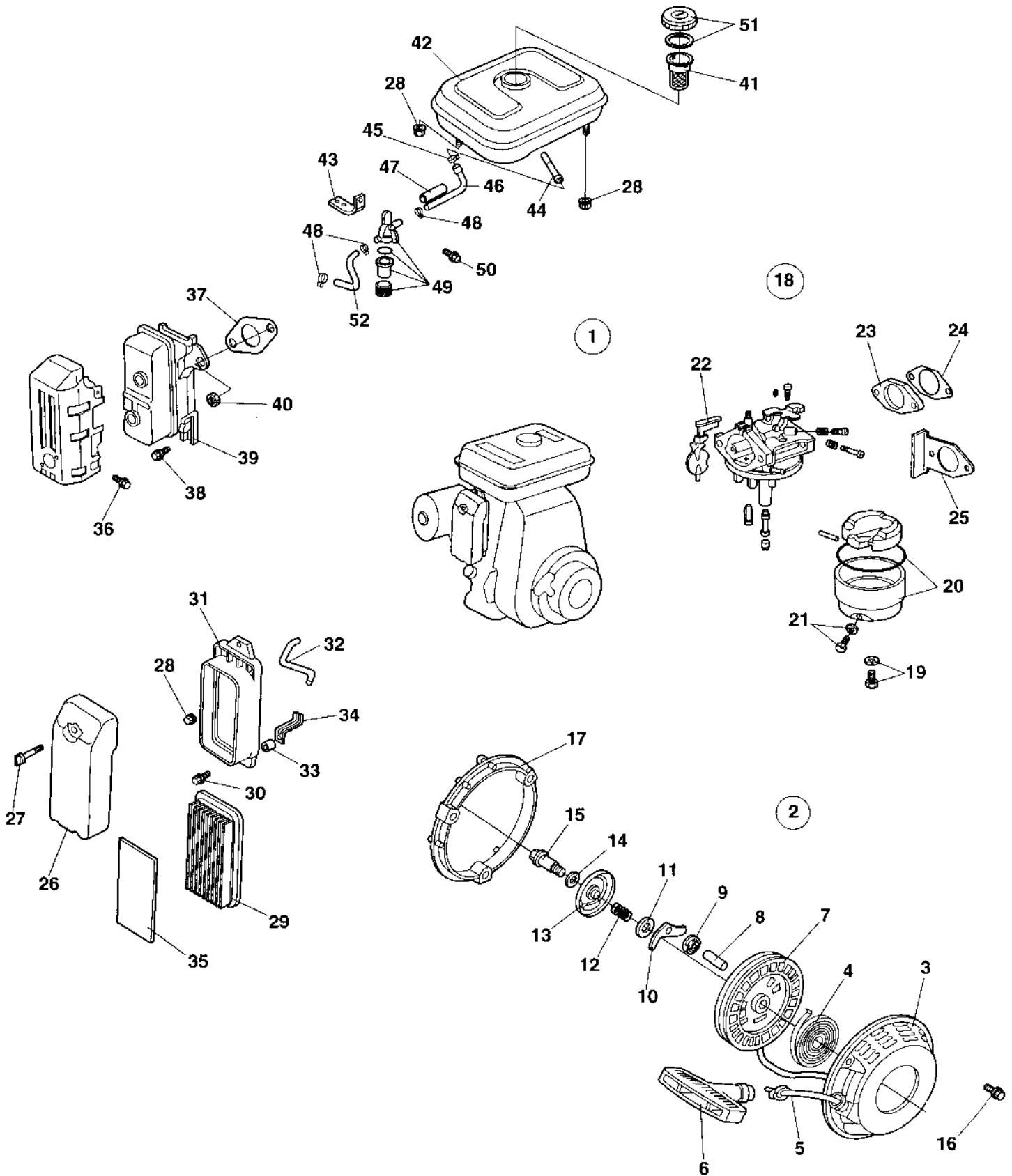
2



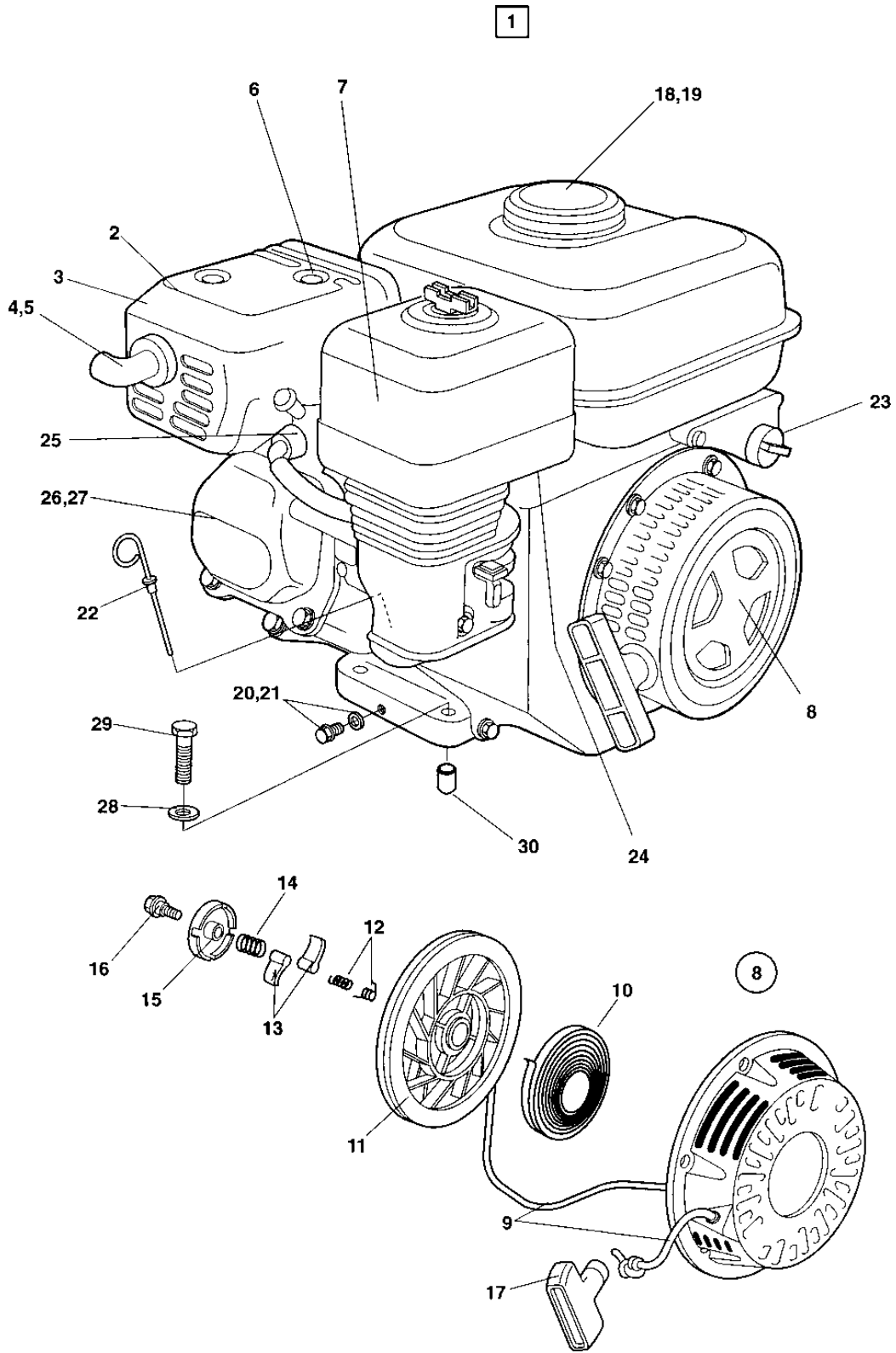
3



<b>Ref. No.</b>	<b>Part No.</b>	<b>Rem.</b>	<b>Qty</b>	<b>Description</b>	<b>Code</b>
1			1	Engine, cpl	
2	936497		1	Carburettor	
3	936498		1	Starter	
4	271986		1	Muffler	
5	936499		2	Screw	
6	936500		2	Nut	
7	936501		1	Gasket	
8	936502		1	Cover	
9	936503		1	Air filter	
10	936504		1	Grid	
11	936505		1	Nut	
12	936506		1	Tube	
13	936507		1	Holder	
14	936508		1	Washer	
15	239771		1	Nut	
16	936584		1	Gasket	
17	936509		1	Gasket	
18	936510		1	Isolation	
19	936511		1	Tank	
20	936512		3	Nut	
21	936513		2	Collar	
22	936514		1	Fuel cap	
23	936515		1	Gasket	
24	936516		1	Support	
25	936517		2	Screw	
26	936518		1	Gasket	
27	936519		1	Fuel strainer	
28	936520		1	Fuel tap	
29	936521		6	Clamp	
30	936522		1	Tube	
31	936523		1	Tube	
32	936524		1	Rubber support	
33	936525		1	Tube	
34	936526		1	Spring	
35	936527		1	Lock nut	
36	936528		1	Friction plate	
37	936529		1	Spring	
38	936530		1	Cover	
39	936531		1	Nut	
40	936532		1	Reel	
41	936533		1	Spring return	
42	936534		1	Cover	
43	936535		1	Rope	
44	936536		1	Holder	
45	936537		1	Knob	
46	936538		3	Screw	
47	936539		2	Clamp	
48	936540		1	Cover	
49	936541		1	Spring	
50	936542		1	Holder	
51	239315		1	Screw	
52	239314		1	Clamp	



<b>Ref. No.</b>	<b>Part No.</b>	<b>Rem.</b>	<b>Qty</b>	<b>Description</b>	<b>Code</b>
1			1	Engine	
2	937757		1	.Recoil starter, cpl	
3	937759		1	..Cover	
4	937767		1	..Spring	
5	937769		1	..Rope	
6	937768		1	..Knob	
7	937760		1	..Reel	
8	937762		1	..Shaft	
9	937763		1	..Grommet	
10	937761		1	..Ratchet	
11	937764		1	..Friction plate	
12	937766		1	..Spring	
13	937770		1	..Cover	
14	937765		1	..Friction plate	
15	937771		1	..Screw	
16	937772		3	.Screw	
17	937758		1	.Spacer	
18	937777		1	.Carburettor, cpl.	
19	937479		1	..Screw	
20	937773		1	..Chamber set	
21	937678		1	...Screw	
22	937776		1	..Choke set	
23	936510		1	.Isolation	
24	937779		1	.Gasket	
25	937780		1	.Gasket	
26	937786		1	.Casing	
27	937788		1	.Screw	
28	936512		2	.Nut	
29	937782		1	.Air filter element	
30	937789		1	.Screw	
31	937784		1	.Holder	
32	937781		1	.Hose	
33	937787		1	.Collar	
34	937785		1	.Bracket	
35	937783		1	.Air filter element	
36	936538		1	.Screw	
37	936501		1	.Gasket	
38	937774		1	.Screw	
39	937775		1	.Screw	
40	936500		2	.Nut	
41	937792		1	.Fuel filter	
42	937778		1	.Fuel tank	
43	937799		1	.Bracket	
44	937798		1	.Fuel strainer	
45	937793		1	.Clamp	
46	937795		1	.Hose	
47	937797		1	.Rubber support	
48	936521		3	.Clamp	
49	937790		1	.Fuel tap	
50	937794		1	.Screw	
51	937791		1	.Fuel cap cpl	
52	937796		1	.Hose	



**Petrol engine Honda GX160 K1SX**

Ref. No.	Part No.	Rem.	Qty	Description	Code
1	281125		1	Petrol engine	
2	383031	B,C	1	Catalyser	
	239059		1	.Muffler	
3	239060		1	.Muffler cover, upper	
4	239062		1	.Exhaust pipe	
5	238322		1	.Arrester, spark	
6	239063		1	.Gasket, muffler	
7	239323		1	.Air filter, cpl	A
8	239065		1	.Recoil starter, cpl	D
9	239374		1	..Starter rope	B
10	239375		1	..Spring	B
11	239376		1	..Reel	
12	239377		2	..Spring	
13	239378		2	..Ratchet	
14	239379		1	..Friction spring	
15	239380		1	..Guide	
16	239381		1	..Screw	
17	239391		1	..Handle	B
18	239321		1	.Fuel tank	
19	239324		1	.Fuel tank cap	D
20	238302		2	.Oil plug	D
21	238303		2	.Gasket	D
22	238306		1	.Oil plug	D
23	239067		1	.Oil alert	
24	239325		1	.Carburettor	
25	924842		1	.Spark plug	
26	238301		1	.Gasket	D
27	239664		1	.Gasket, cylinder head	D
28	901233		4	Washer	
29	500023		4	Screw	
30	281128	A		Spacer Distans	

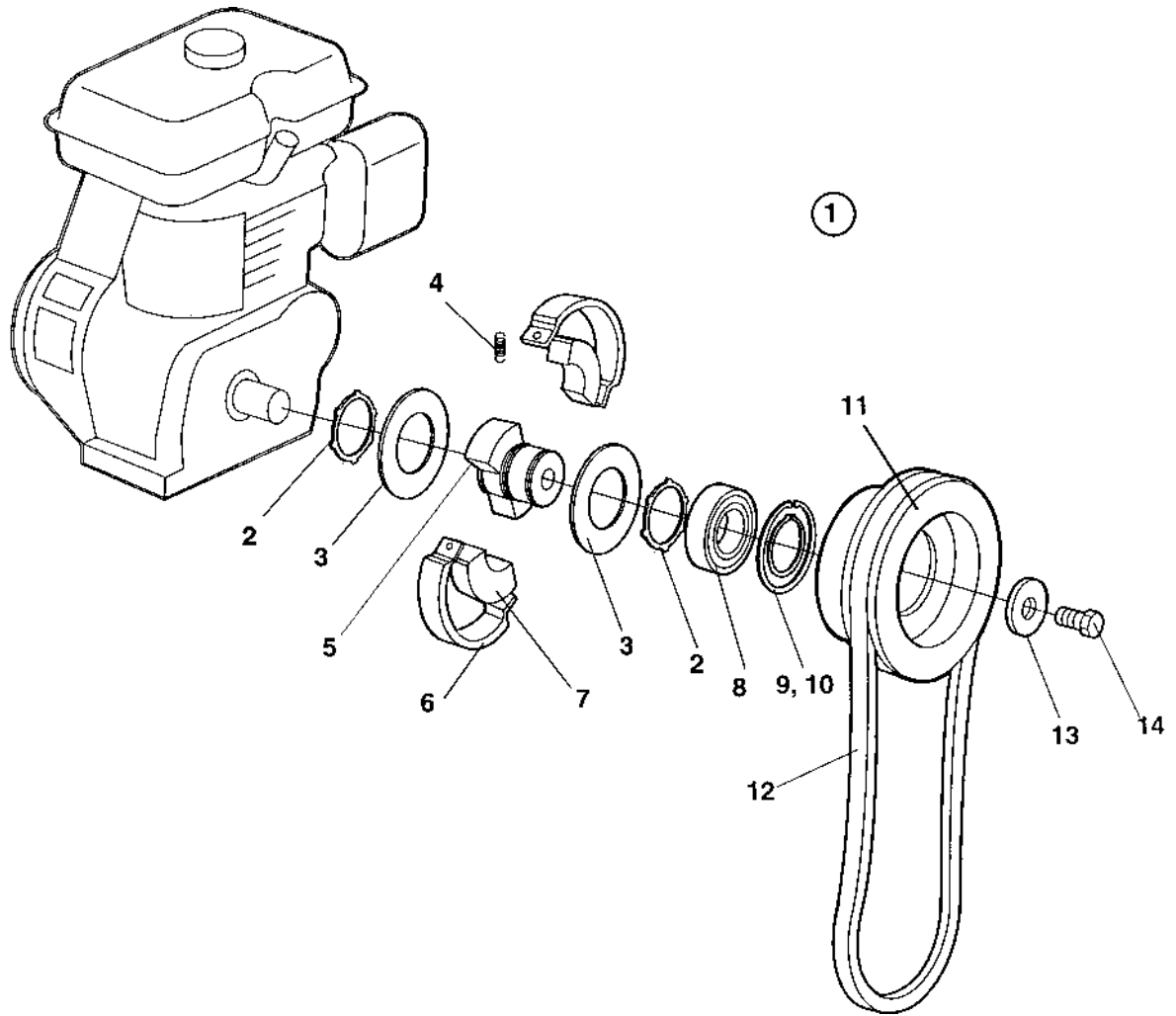
A) Not used in this model

B) Option

C) Replacable with muffler



Ref. No.	Part No.	Rem.	Qty	Description	Code
10				Power transmission ( Page 26 )	



<b>Ref. No.</b>	<b>Part No.</b>	<b>Rem.</b>	<b>Qty</b>	<b>Description</b>	<b>Code</b>
1	282571	A	1	Clutch, cpl	
	385329		1	Centrifugal clutch, cpl	
2	239734		2	.Retaining ring	
3	935808		2	.Cover	
4	912498		2	.Spring	D
5	938701		1	.Hub	D
6	929360		2	.Clutch lining	B
7	239290		2	.Weight	D
8	937034		1	.Bearing	
9	937035		1	.Retaining ring	
10	937036		1	.Retaining ring	
11	938702		1	.Pulley	
12	284537		1	V-belt Up to 28203199	
	386208		1	V-belt From 28203200	
13	901688		1	Washer	
14	500053		1	Screw M8-1,25x20 8,8	

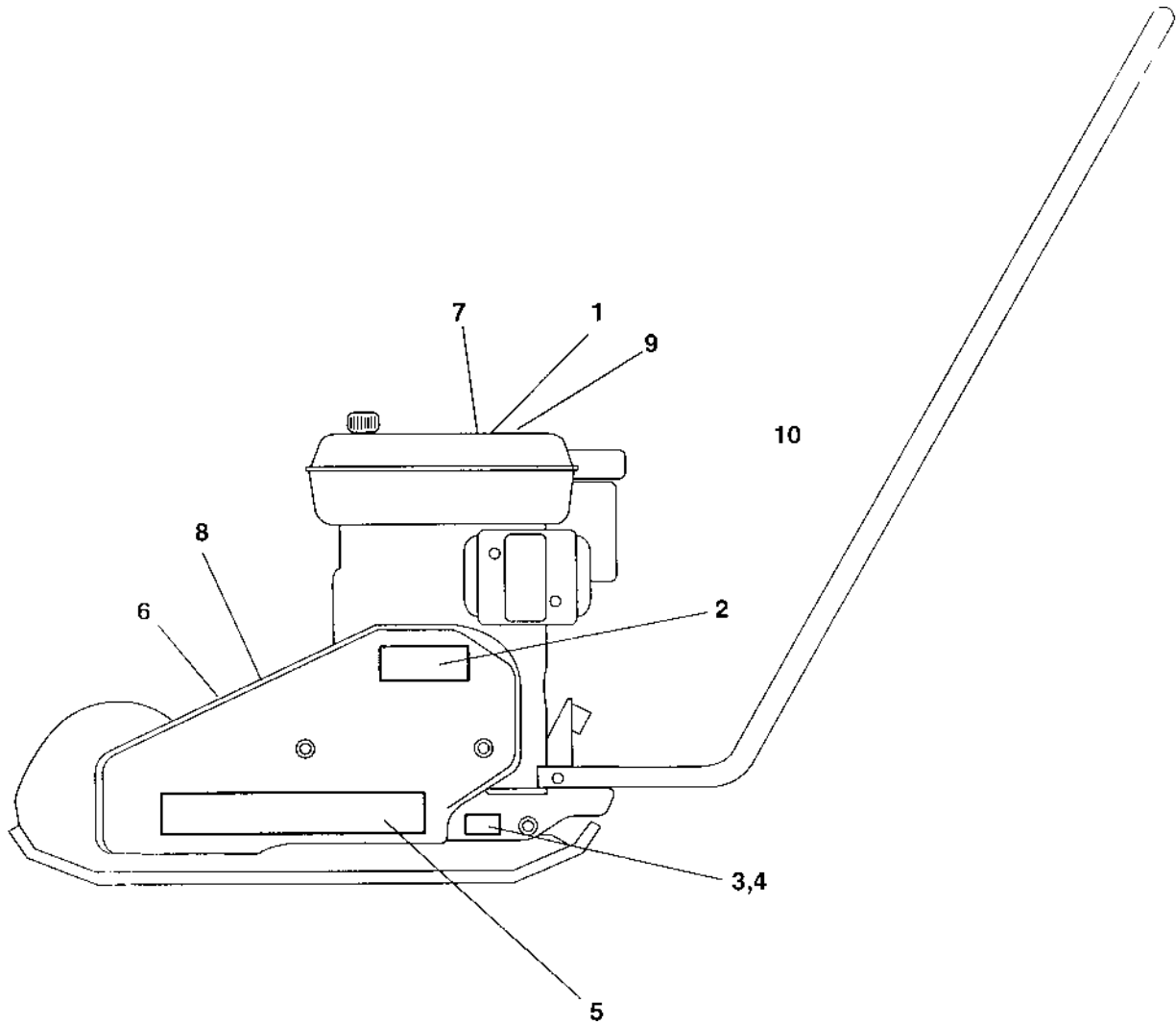
A) Replaced with 385329





**Decals and documentation**

<b>Ref. No.</b>	<b>Part No.</b>	<b>Rem.</b>	<b>Qty</b>	<b>Description</b>	<b>Code</b>
10				Decals and documentation ( Page 30 )	



**Decals and documentation**

<b>Ref. No.</b>	<b>Part No.</b>	<b>Rem.</b>	<b>Qty</b>	<b>Description</b>	<b>Code</b>
1	281898		1	Decal, ear protection	
2	380234		1	Decal model code	
3	385135SE		1	Identification plate	
	281270	A,B	1	Sign plate	
	100504810	C,B	1	Identification plate	
4	527002		4	Drive screw	
5	100501290		1	Decal	
6	903832		1	Safety decal	
7	904680		1	Decal "Read instruction manual"	
8	281269		1	Decal "LIFT"	
9	791292		1	Decal "Sound power level"	
10			1	Documentation	
			1	.Spare parts catalogue SMV080	
			1	.Instruction book, engine	
			1	.Operation IMV080	
			1	.Warrenty registration certificate	
			1	.Warranty conditions	

A) For Honda G200

B) Old Design

C) For honda GX160



## NUMERICAL INDEX

Part Number	Page	Part Number	Page	Part Number	Page
100501290	31	386147	7	936536	19
100504810	31	386208	27	936537	19
151029	15	500013	15	936538	19,21
160033	15	500015	9	936539	19
232150	9	500019	7	936540	19
238301	23	500021	9,11	936541	19
238302	23	500023	23	936542	19
238303	23	500026	9	936584	19
238306	23	500053	15,27	937034	27
238322	23	500087	11	937035	27
239059	23	500161	11	937036	27
239060	23	527002	31	937479	21
239062	23	586001	11	937678	21
239063	23	586002	7,9	937757	21
239065	23	586003	7,9	937758	21
239067	23	586018	7,11	937759	21
239290	27	791172	7	937760	21
239314	19	791292	31	937761	21
239315	19	791322	7	937762	21
239321	23	901233	23	937763	21
239323	23	901650	9	937764	21
239324	23	901654	15	937765	21
239325	23	901688	15,27	937766	21
239374	23	902005	15	937767	21
239375	23	902160	9	937768	21
239376	23	903360	15	937769	21
239377	23	903832	31	937770	21
239378	23	904228	7,9,15	937771	21
239379	23	904229	7,9,11	937772	21
239380	23	904230	7,11	937773	21
239381	23	904281	11	937774	21
239391	23	904556	9	937775	21
239664	23	904567	7	937776	21
239734	27	904680	31	937777	21
239771	19	912498	27	937778	21
271419	9	924842	23	937779	21
271986	19	929360	27	937780	21
281125	23	935808	27	937781	21
281128	23	936497	19	937782	21
281269	9,31	936498	19	937783	21
281270	31	936499	19	937784	21
281898	31	936500	19,21	937785	21
282078	7	936501	19,21	937786	21
282079	7	936502	19	937787	21
282156	15	936503	19	937788	21
282157	15	936504	19	937789	21
282541	7	936505	19	937790	21
282543	7	936506	19	937791	21
282545-10	7	936507	19	937792	21
282547	7	936508	19	937793	21
282558	9	936509	19	937794	21
282561	7	936510	19,21	937795	21
282569	9	936511	19	937796	21
282570	9	936512	19,21	937797	21
282571	27	936513	19	937798	21
283685	9	936514	19	937799	21
284526	15	936515	19	938701	27
284537	27	936516	19	938702	27
284544	7	936517	19		
284547	7	936518	19		
284548-10	7	936519	19		
284553	15	936520	19		
287370	9	936521	19,21		
351041	15	936522	19		
380234	31	936523	19		
380306	17,21	936524	19		
380413	9	936525	19		
380942	9	936526	19		
383031	23	936527	19		
383578	11	936528	19		
383582	11	936529	19		
383583	11	936530	19		
383584	11	936531	19		
384010	15	936532	19		
384812	11	936533	19		
385135SE	31	936534	19		
385329	27	936535	19		

