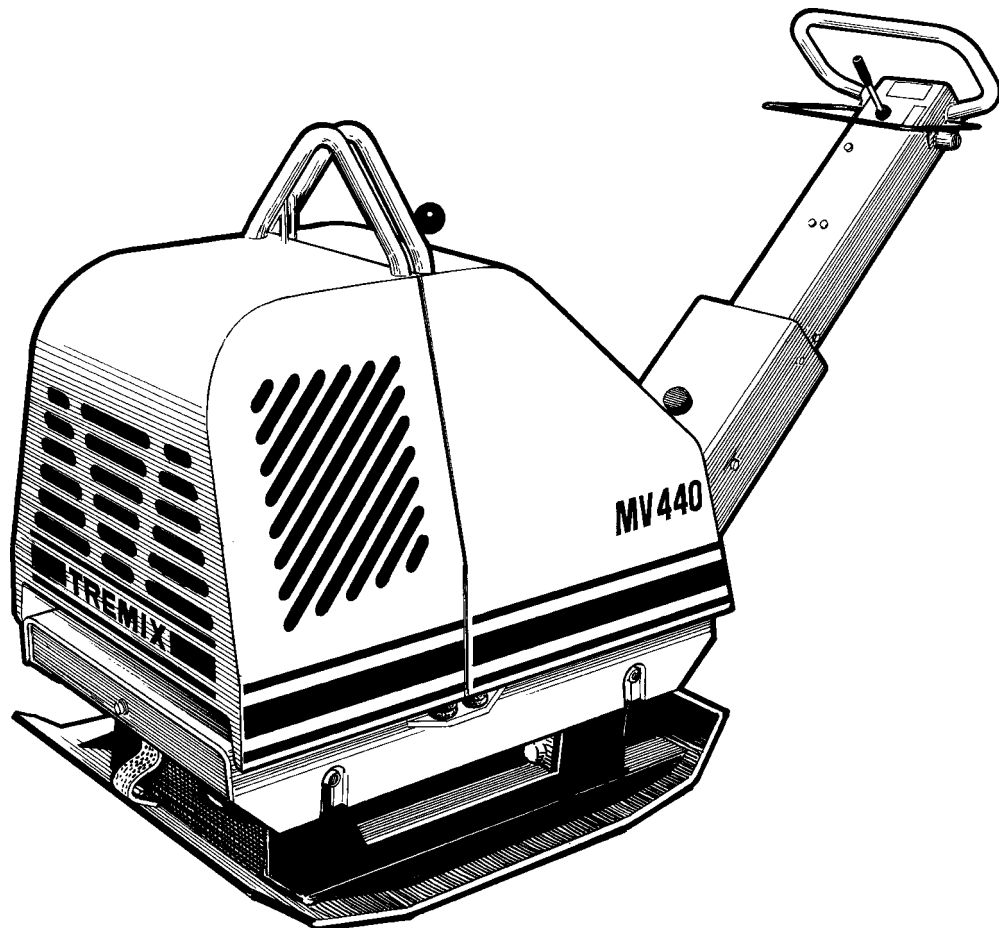


TREMIX
Forward and reverse
soil compactor
MV 440
SPARE PARTS
CATALOGUE
SMV440 -1EN1



TREMIX®

Metso Construction Equipment AB
Stensättravägen 9, Box226
SE- 127 24 Skärholmen, Sweden
Tel: +46 8 603 32 00 Telefax: +46 8 646 72 61



**Forward and reverse soil compactor
MV440**

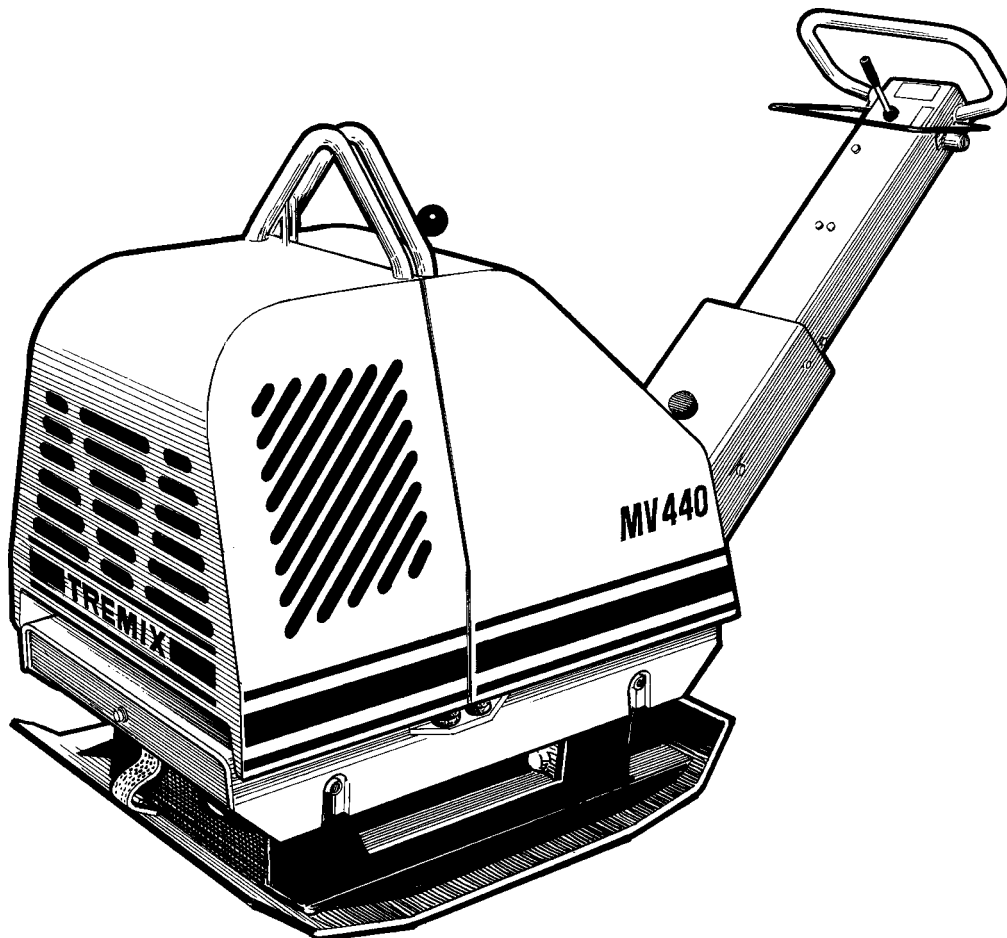
**Spare Parts Catalogue
SMV440 -1EN1**

Engines:

Yanmar L100AE

Published catalogue issues valid for these soil compactors:

<i>Catalogue</i>	<i>Issue date</i>
<i>SMV440-1EN1</i>	<i>2002-01</i>



RESERVDLSBESTÄLLNING

Följande uppgifter ska lämnas vid beställning av reservdelar för att undvika leveransfel:

1. Maskintyp.
2. Vältensserienummer.
3. Antal av önskad reservdel.
4. Reserdelens artikelnummer.
5. Reservdelens benämning.
6. Måttuppgifter vid beställning av metervara.

ERSATZTEILBESTELLUNG

Zur Vermeidung von Fehllieferungen sind bei der Bestellung von Ersatzteilen folgende Angaben zu machen:

1. Maschinentyp.
2. Herstellungsnummer.
3. Bestellmenge. (Quantity)
4. Ersatzteilnummer. (Part N°)
5. Ersatzteilbenennung. (Denomination)
6. Massangaben bei Bestellung von Meterware.

PEDIDO DE RECAMBIOS

Para evitar errores en las entregas, deberán indicarse los siguientes datos al hacer un pedido de recambios:

1. Tipo de máquina.
2. Número de serie.
3. Cantidad de piezas deseadas. (Quantity)
4. Número de artículo de la pieza de recambio. (Part N°)
5. Denominación de la pieza. (Denomination)
6. Indíquese la medida al solicitar un artículo que se expide por metros.

ORDERING SPARE PARTS

To avoid errors in delivery, please give the following information when ordering spare parts:

1. Type of machine.
2. Roller serial number.
3. Quantity required.
4. Part number.
5. Parts denomination.
6. Dimensions when ordering per length.

ORDINI DI RICAMBI

Per evitare errori nelle consegne di ricambi, Vi preghiamo di comunicarci le seguenti informazioni al momento dell'ordinazione:

1. Tipo di macchina.
2. Numero di serie della macchina.
3. Quantità dei pezzi desiderati. (Quantity)
4. Numero di codice del pezzo. (Part N°)
5. Descrizione del pezzo di ricambio. (Denomination)
6. Misura, in caso di ordine per metro.

COMMANDE DE PIÈCES DE RECHANGE

Les indications suivantes doivent être fournies lors de la commande de pièces de rechange, afin d'éviter toute erreur de livraison:

1. Type de machine.
2. Numéro de série.
3. Quantité désirée de pièce de rechange. (Quantity)
4. Numéro de la pièce de rechange. (Part N°)
5. Dénomination de la pièce de rechange. (Denomination)
6. Longueur en cas de commande au mètre.

YOUR AGENT/DEALER:

PÄRMETIKETT

För att undvika fel vid reservdelsbeställning finns här nedan två etiketter som passar i fickorna på pärmarnas ryggar. På dessa kan man se från vilket vältnummer av aktuell maskin reservdelskatalogen gäller. Gör så här:

1. Tag denna sida ur pärmen.
2. Klipp ut etiketten till VÄNSTER (1) och sätt in den i fickan på DENNA pärmens rygg.
3. Finns det en etikett till HÖGER (2), kan denna användas på pärmen för FÖREGÅENDE utgåva av denna katalog.
4. Kasta detta papper.

KATALOG-BESCHRIFTUNG

Zur Vermeidung von Fehlen bei der Ersatzteilbestellung benutzen Sie bitte die unteren Beschriftungen, um die Kataloge auf der Rückseite zu kennzeichnen. Auf der Beschriftung ist angegeben, für welche Maschinennummern der jeweilige Katalog gültig ist. Ablauf:

1. Nehmen Sie dieses Blatt aus dem Katalog.
2. Schneiden Sie die LINKE Beschriftung (1) aus. Schieben Sie die Beschriftung in die tasche auf DEM Katalogrücke.
3. Sollte die Beschriftung unten RECHTS (2) mitgeliefert werden, kennzeichnen Sie damit bitte die ÄLTERE Ausführung dieses Kataloges.
4. Den Rest dieses Blattes bitte vernichten.

ETIQUETA PARA LA CARPETA

Para evitar errores al pedir repuestos utilicen las etiquetas abajo descritas para identificar los catálogos en la parte trasera de la carpeta. En la etiqueta se ven los números de referencia de la serie para la cual es válido el catálogo. Instrucciones:

1. Quitar esta página de la carpeta.
2. Corta la etiqueta IZQUIERDA (1) y ponerla en la parte trasera de la carpeta.
3. Si hay una etiqueta en la parte DERECHA (2) se puede utilizar en la carpeta para el catálogo que PRECEDE a esta.
4. Tirar esta hoja.

BINDER LABEL

To avoid errors when ordering spare parts use the labels below to identify the catalogues on the back of the binder. The label contain the serial number range for which the catalogue is valid. Do like this:

1. Remove this page from the binder.
2. Cut out the LEFT label (1) and put it on THIS binders back.
3. If there is a label to the RIGHT (2), it can be used on the binder for PRECEDING issue of this catalogue.
4. Throw away this paper.

ETICHETTA POSTA SUL RACCOGLITORE

Per evitare errori quando ordinate pezzi di ricambio, usate le etichette in calce che servono ad identificare i cataloghi sul retro del raccoglitore. L'etichetta indica il numero di matricola delle macchine prese in considerazione nel catalogo.

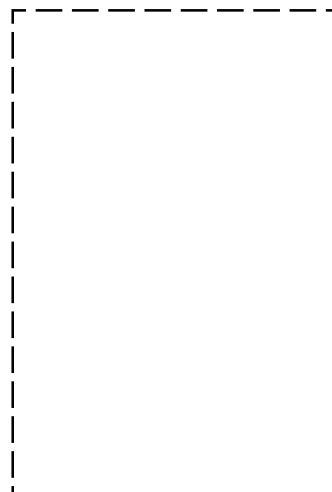
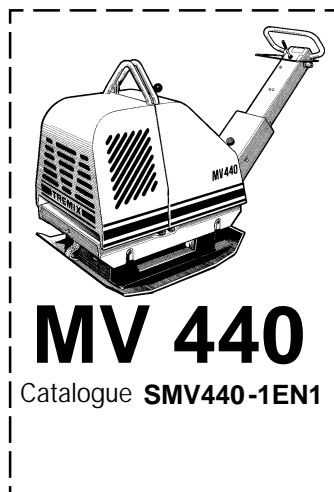
1. Rimuovete questa pagina dal raccoglitore.
2. Ritagliate l'etichetta posta a SINISTRA (1) e ponetela sul retro DEL raccoglitore.
3. Se trovate anche un'etichetta sulla DESTRA (2), ritagliatela e ponetela sul raccoglitore relativo alla PRECEDENTE edizione del catalogo.
4. Distruggete questo foglio.

ETIQUETAGE DU CATALOGUE

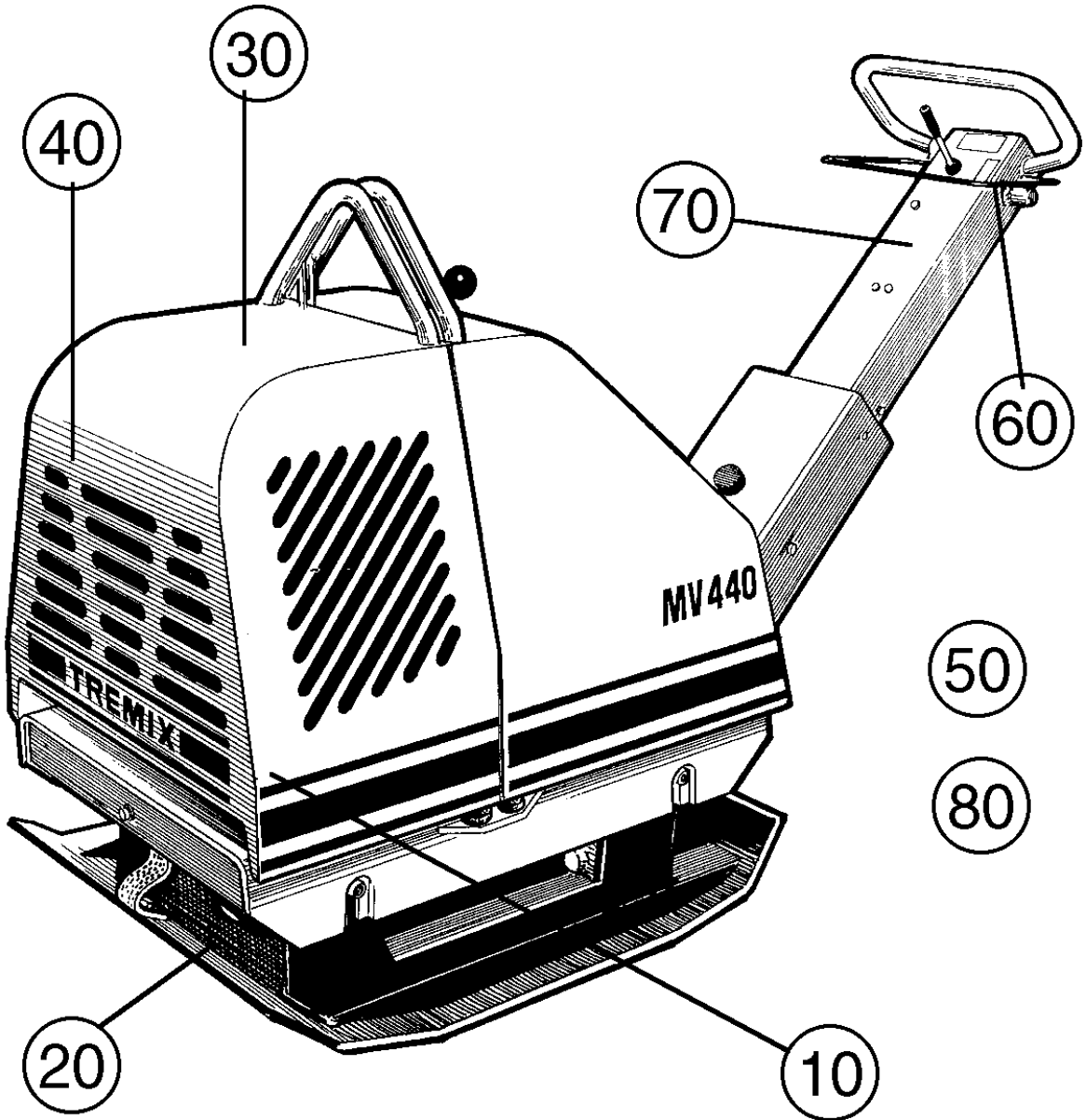
Afin d'éviter des erreurs lors de commandes de pièces de rechange, nous vous conseillons d'apposer les marquages ci-dessous à l'arrière du classeur, pour identifier les catalogues. Ce marquage indique les numéros de série pour lesquels le catalogue est adapté. Il convient de procéder de la façon suivante:

1. Retirez cette page du classeur.
2. Découpez l'étiquette de GAUCHE (1), et apposez-la à l'arrière de CE catalogue.
3. Si il y a une étiquette à DROITE (2), vous pourrez l'apposer sur le classeur de l'edition PRECEDENTE du catalogue.
4. Détruire cette feuille.

1.



MV440	2
Ground plate, engine plate	4
Ground plate, engine plate	6
Ground plate, engine plate	8
Hood	10
Option	12
Eccentric element	14
Eccentric element Up to S/N 84800588	16
Eccentric element From S/N 84800589	20
Engine	22
Engine Yanmar L100AE	24
Fuel tank	26
Power transmission	28
Power transmission	30
Hydraulic system	32
Hydraulic system Up to SN -84800589	34
Hydraulic system From SN 84800590-	36
Hydraulic tank From SN 84800590-	38
Electric equipment	40
Electric equipment	42
Handle	44
Handle	46
Option,dead man handle	48
Decals and documentation	50
Decals and documentation	52

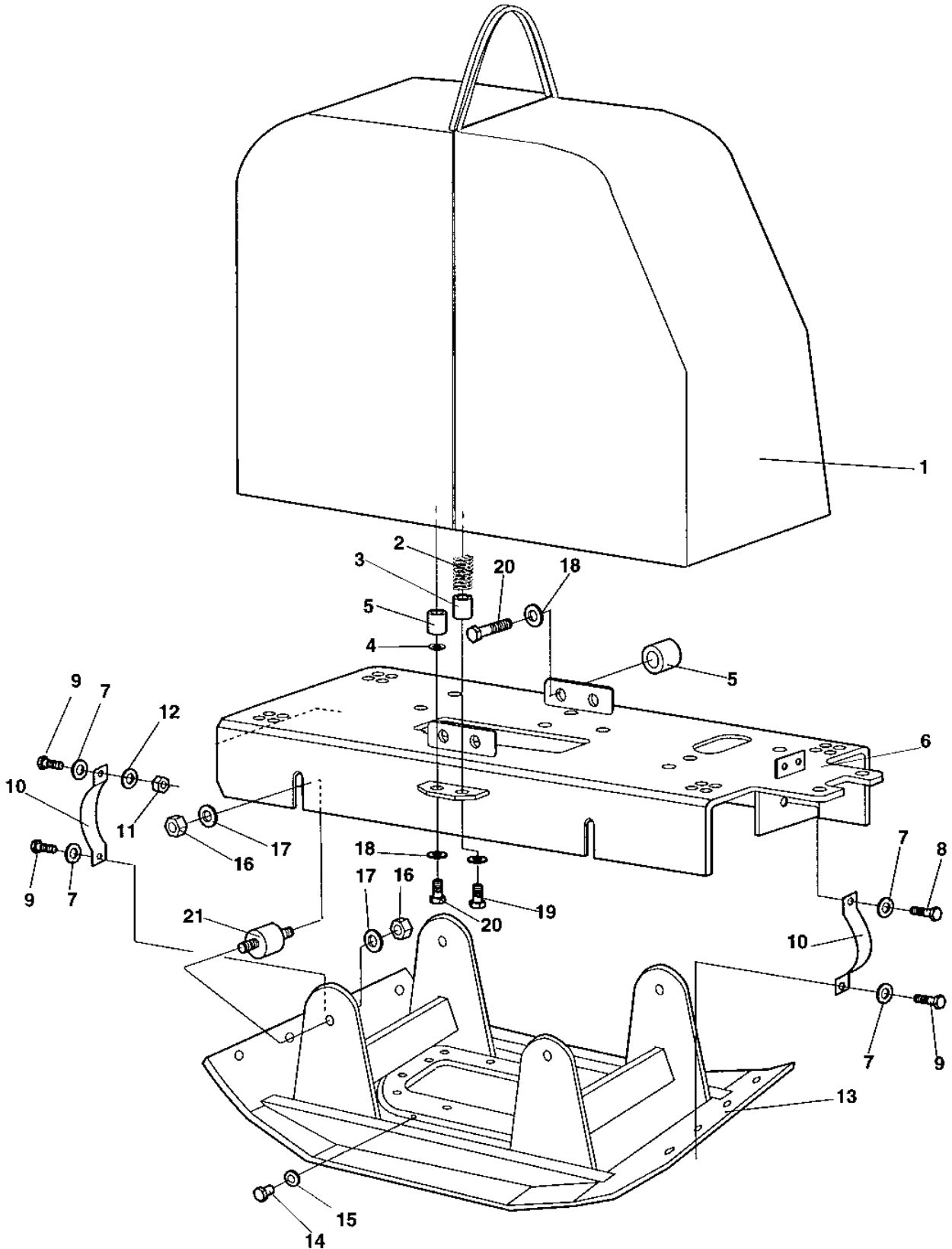


Ref. No.	Part No.	Rem.	Qty	Description	Code
10				Ground plate, engine plate (Page 4)	
20				Eccentric element (Page 14)	
30				Engine (Page 22)	
40				Power transmission (Page 28)	
50				Hydraulic system (Page 32)	
60				Electric equipment (Page 40)	
70				Handle (Page 44)	
80				Decals and documentation (Page 50)	



Ground plate, engine plate

Ref. No.	Part No.	Rem.	Qty	Description	Code
10				Ground plate, engine plate (Page 6)	
20				Ground plate, engine plate (Page 8)	
30				Hood (Page 10)	
40				Option (Page 12)	



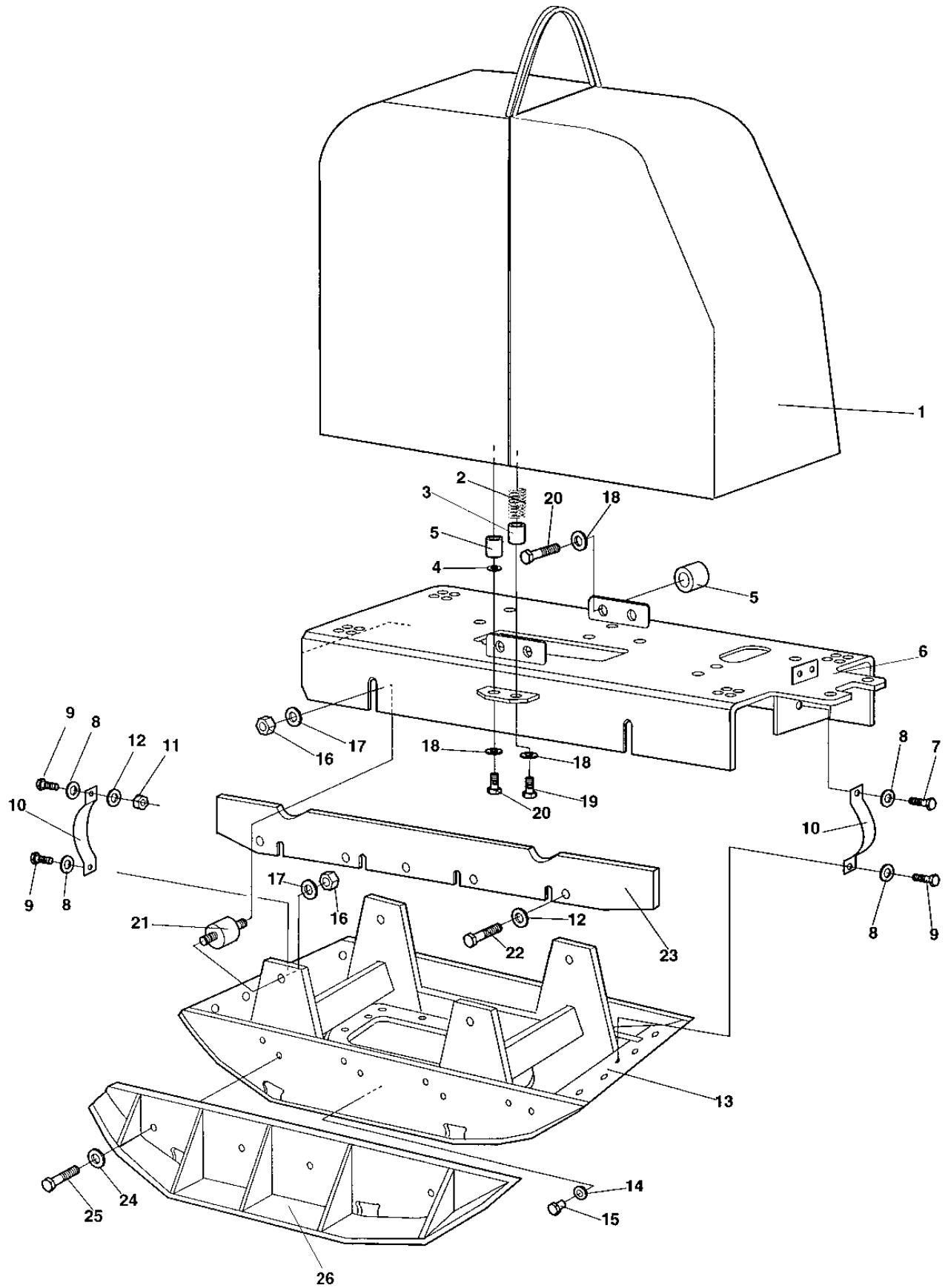
Ground plate, engine plate

Ref. No.	Part No.	Rem.	Qty	Description	Code
1		A	1	Hood, cpl	
2	100900906		2	Spring	
3	100505054		2	Shock absorber	
4	615117		2	Washer	
5	282152		2	Shock absorber	B
6	100505001	C	1	Engine plate, cpl	
	380790	D	1	Engine plate, cpl From 84800327 Up to 84800589	
	384016		1	Engine plate, cpl From 84800590	
7	924543		4	Washer	
8	500194		1	Screw M12x40	
9	500035		3	Screw	
10	100505036		2	Strap	D
11	586019		1	Lock nut M12	
12	904213		1	Washer	
13	281349		1	Ground plate	
14	508028		1	Screw	
15	747541		1	Washer	D
16	570008		8	Nut M16	
17	904232		8	Washer 17x30x3	
18	645043		4	Washer	
19	500021		2	Screw M8-1,25x25 8,8	
20	500053		2	Screw M8-1,25x20 8,8	
21	280454		4	Shock absorber	B

A) See section Hood

C) Old version

D) Can replace 100505001 if one threaded hole is added in the eccentric housing to hold the hydraulic hoses. The V-belts should also be replaced to V-belt 904776



Ground plate, engine plate

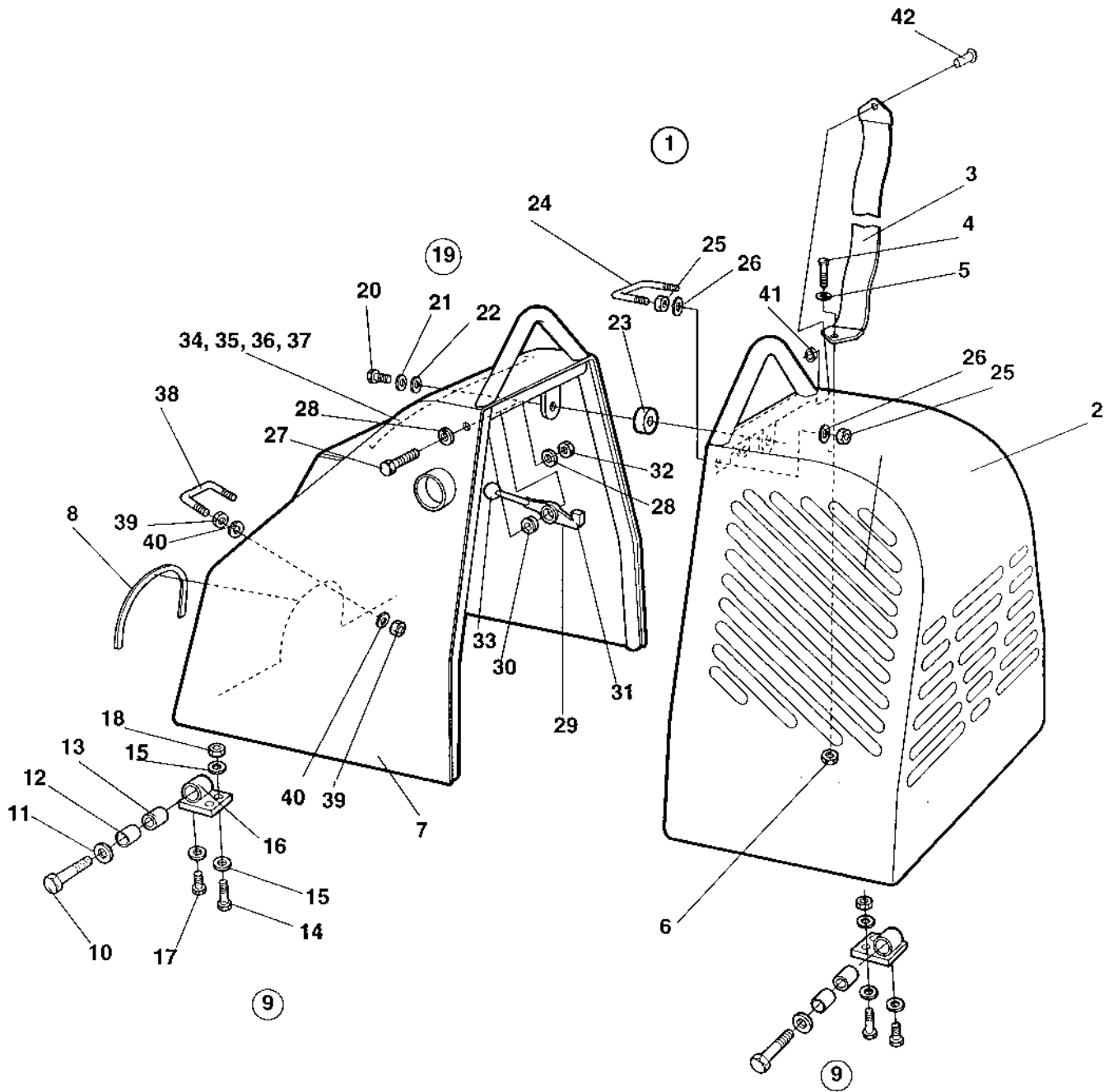
Ref. No.	Part No.	Rem.	Qty	Description	Code
1		A	1	Hood, cpl	B
2	900906		2	Spring	
3	505054		2	Shock absorber	
4	615117		2	Washer	
5	282152		2	Shock absorber	B
6	100505001	B	1	Engine plate, cpl	
	380790	D	1	Engine plate, cpl From 84800327 Up to 84800589	
	384016		1	Engine plate, cpl From 84800590	
7	500194		1	Screw M12x40	
8	924543		4	Washer	
9	500035		3	Screw	
10	100505036		2	Strap	D
11	586019		1	Lock nut M12	
12	904213		1	Washer	
13	280418	B	1	Ground plate	
	282714		1	Ground plate	
14	508028		1	Screw	
15	747541		1	Washer	D
16	570008		8	Nut M16	
17	904232		8	Washer 17x30x3	
18	645043		4	Washer	
19	500021		2	Screw M8-1,25x25 8,8	
20	500053		2	Screw M8-1,25x20 8,8	
21	280454		4	Shock absorber	B
22		C	1	Screw	B
23		C	1	Plasic cover	B
24		C	1	Washer	B
25		C	1	Screw	B
26		C	1	Extension plate	B

A) See section Hood

B) Old version

C) Option

D) Can replace 100505001 if one threaded hole is added in the eccentric housing to hold the hydraulic hoses. The V-belts should also be replaced to V-belt 904776

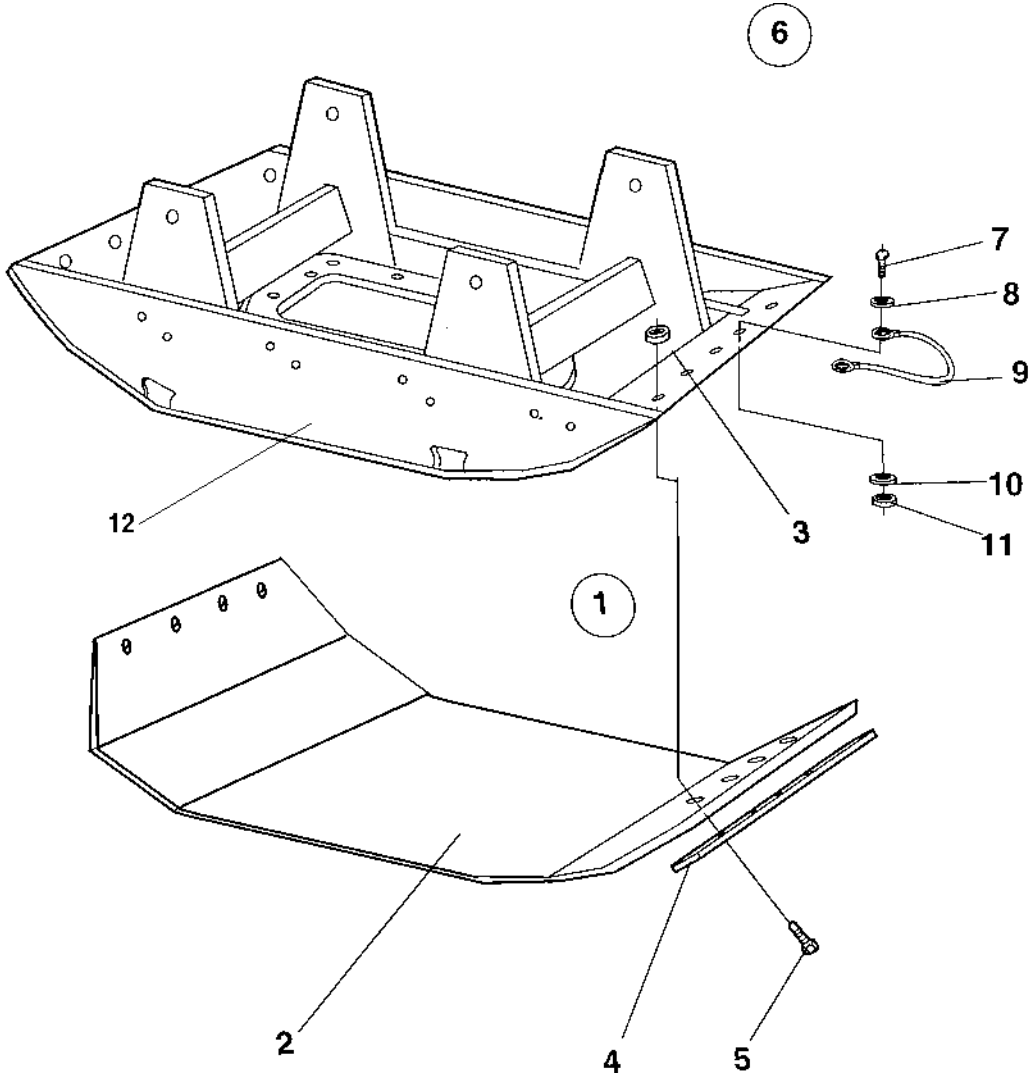


Hood

Ref. No.	Part No.	Rem.	Qty	Description	Code
1			1	Engine hood, cpl	B
2	100505051		1	..Hood front	
	100505068	A	1	..Grid Left	
	100505069	A	1	..Grid Right	
	100505067	A	1	..Grid, front	
	903923	A	29	..Screw	
	901836	A	29	..Washer	
	902285	A	29	..Lock nut M6	
3	287639		1	..Strap	
4	500021		2	..Screw M8-1,25x25 8,8	
5	615043		6	..Conical spring washer 8,4x18x2	
6	586003		1	..Lock nut M8	
7	100505052		1	..Hood rear	
8	281432		1	..Edge list	
9			1	..Hinge, cpl	
10	947700		4	..Screw	
11	903904		4	..Washer	
12	281428		4	..Bushing	
13	100505053		4	..Bushing	
14	500194	B	8	..Screw M12x40	
15	900994	B	16	..Lock washer	
16	100505049		4	..Hinge bracket	
17	500051	B	8	..Screw M12-1,75x25 8,8	
18	500007		8	..Nut	
19			1	..Hood locking , cpl	
20	500048		1	..Screw M10-1,5x20 8,8	
21	615044		1	..Conical spring washer	D
22	904230		1	..Washer 10,5x22x2	
23	281804		1	..Rubber stop	D
24	283022		1	..U-bolt	
25	570007		4	..Nut	
26	900994		4	..Lock washer	
27	500121		1	..Screw	
28	615045		2	..Conical spring washer	
29	700639499		1	..Stop screw	
30	281383		1	..Bushing	
31	283021		1	..Lock arm	
32	586019		1	..Lock nut M12	
33	281382		1	..Ball knob M12, D= 50mm	
34	100505047		1	..Plate	
35	513012		6	..Screw	
36	615042		6	..Conical spring washer	
37	570004		6	..Nut M6	
38	282090		1	U-bolt	
39	570006		4	Nut M10	
40	900993		4	Lock washer	
41	902285		1	Lock nut M6	
42	903923		1	Screw	

A) Used in old version

B) For montage with engineplate



Option

Ref. No.	Part No.	Rem.	Qty	Description	Code
1			1	Polyurethane plate, cpl	
2	280888		1	.Polyurethane plate	
3	902287		8	.Nut	
4	382008		1	.Bracket	
5	904841		8	.Screw	
6			1	Eyelet, cpl	
7	500056		2	.Screw	
8	380411		2	.Washer	
9	380410		1	.Wire	
10	904231		4	.Washer 13x24x2	
11	586019		2	.Lock nut M12	
12		A	1	Ground plate	

A) For montage with engineplate

Ref. No.	Part No.	Rem.	Qty	Description	Code
10				Eccentric element Up to S/N 84800588 (Page 16)	
20				Eccentric element From S/N 84800589 (Page 20)	

Ref. No.	Part No.	Rem.	Qty	Description	Code
1			1	Eccentric element, cpl	
2	280430		1	.Eccentric housing	
3	280434		1	.Belt guard	
4	500022		2	.Screw M8-1,25x30 8,8	
5	615043		6	.Conical spring washer 8,4x18x2	
6	508005		4	.Screw	
7	380159	F	1	.Cylinder	
7-B	280444	A	1	.Cylinder	
8	280447		1	.Cover	
9	904230		1	.Washer 10,5x22x2	
10	929291		1	.Cup spring	
11	904637		1	.Washer	
12	281501		1	.Piston seal	D
13	281502		1	.Guide	
14-A	280443	F	1	.Piston	
14-B	380160	B	1	.Piston rod	
15	151008		1	.Retaining ring	
16	928797		1	.Ball bearing	
17	928792		1	.Spacer ring	
18	111022		1	.Ball bearing	
19	928802		2	.Washer	
20	150002		1	.Retaining ring	
21	280446		1	.Plunger	
22	350029		2	.Key	
23	280449		1	.Screw	
24	928798		1	.Spring	
25	280448		1	.Stop	
26	150033		4	.Retaining ring	
27	928786		4	.Ball bearing	
28	928796		2	.Ball bearing	
29	280441		1	.Sleeve	
30	280440		1	.Gear	
31	150035		1	.Snap ring	
32	280445		1	.Eccentric shaft	
33	280442		1	.Pin	
34	928787		1	.Retaining ring	
35	928791		8	.Screw	
36	280436		4	.Eccentric weight	D
37	280435		1	.Cover	
38	928794		1	.Sealing ring	D
39	281968		1	.Cover	
40	500048		1	.Screw M10-1,5x20 8,8	
41	280432		1	.Washer	
42	281347	F	1	.Pulley	
	282718		1	.V-belt pulley	D
43	928795		1	.Sleeve	
44	150020		2	.Snap ring	
45	280437		1	.Gear	
46	928788		1	.Key	D
47	280431		1	.Eccentric shaft	
48	280450		1	.Key	
49	928895	C	1	Nut	
50	928894		1	.Sleeve	
51	928789	C	1	Key	
52	928893		1	.Sleeve	
53	281374		1	.Hydraulic pump	
54	508025		2	.Screw	
55	500040		24	.Screw M6-1x20 8,8	
56	900899		24	.Washer	

A) Change together with items 10-13, 14B, 20 and 57

B) Change together with items 7B, 10-13, 20 and 57

C) Supplied with pump

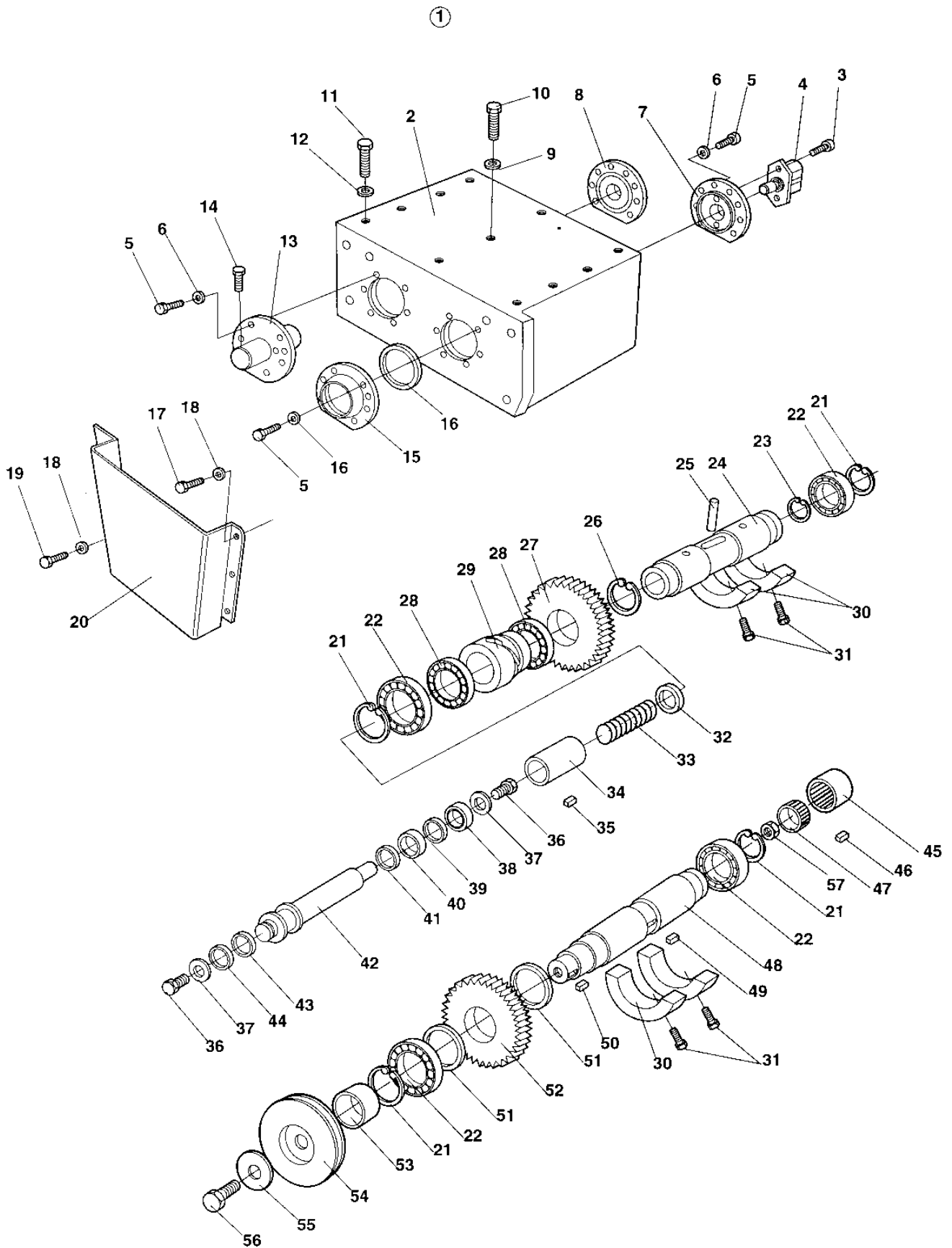
F) Used in old version

Eccentric element Up to S/N 84800588

Ref. No.	Part No.	Rem.	Qty	Description	Code
57	380155		1	.Screw	
58	381787	E	1	.Piston	
59	500012	E	2	.Screw M6x12	
60	381783	E	2	.Washer	
61	928797	E	1	.Ball bearing	
62	904811	E	1	.Support ring	
63	111022	E	1	.Ball bearing	
64	151008	E	1	.Retaining ring	
65	281501	E	1	.Piston seal	D
66	381786	E	1	.Piston rod	
67	281502	E	1	.Guide	
68	928944		10	Screw	
69	904213		10	Washer	
70	232143		1	Plug	
71	162011		1	Washer, sealing	D
72	281276	D	1	.Sealing ring	

D) Replaced with items 7, 10-14, 20 and 57

E) New version

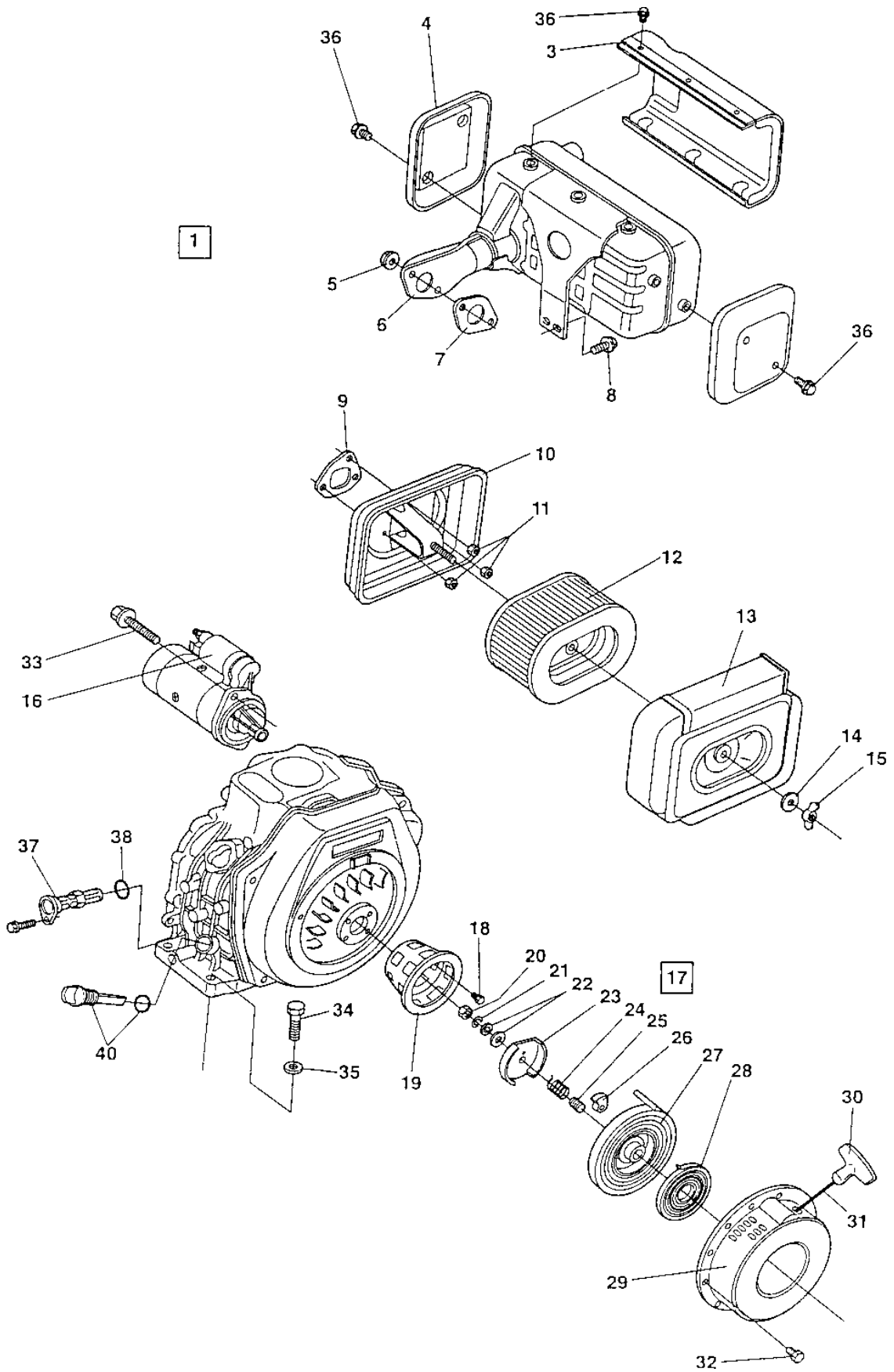


Ref. No.	Part No.	Rem.	Qty	Description	Code
1	281503		1	Eccentric element	
2	280430		1	.Eccentric housing	
3	508025		2	.Screw	
4	383562		1	Hydraulic pump	
5	500040		24	.Screw M6-1x20 8,8	
6	904228		24	.Washer 6,4x12x1,5	
7	281968		1	.Cover	
8	280447		1	.Cover	
9	162011		1	Washer, sealing	D
10	232143		1	Plug	
11	928944		10	Screw	
12	904213		10	Washer	
13	380159		1	.Cylinder	
14	380155		1	Screw	
15	280435		1	.Cover	
16	928794		1	.Sealing ring	D
17	508005		3	Screw	
18	904229		5	Washer 8,4x16x1,5	
19	500022		2	.Screw M8-1,25x30 8,8	
20	280434		1	.Belt guard	
21	150033		4	.Retaining ring	
22	928786		4	.Ball bearing	
23	928787		1	.Retaining ring	
24	280445		1	.Eccentric shaft	
25	280442		1	.Pin	
26	150035		1	.Snap ring	
27	280440		1	.Gear	
28	928796		2	.Ball bearing	
29	280441		1	.Sleeve	
30	280436		4	.Eccentric weight	D
31	928791		8	.Screw	
32	280448		1	.Stop	
33	928798		1	.Spring	
34	381787		1	.Piston	
35	350029		2	.Key	
36	500012		2	.Screw M6x12	
37	381783		2	.Washer	
38	928797		1	.Ball bearing	
39	904811		1	.Support ring	
40	111022		1	.Ball bearing	
41	151008		1	.Retaining ring	
42	381786		1	.Piston rod	
43	281502		1	.Guide	
44	281501		1	.Piston seal	D
45	928893		1	.Sleeve	
46	928789	B	1	.Key	
47	928894		1	.Sleeve	
48	280431		1	.Eccentric shaft	
49	280450		1	.Key	
50	928788		1	.Key	D
51	150020		2	.Snap ring	
52	280437		1	.Gear	
53	928795		1	.Sleeve	
54	282718		1	V-belt pulley	D
55	280432		1	.Washer	
56	500048		1	.Screw M10-1,5x20 8,8	
57	570004		1	.Nut M6	

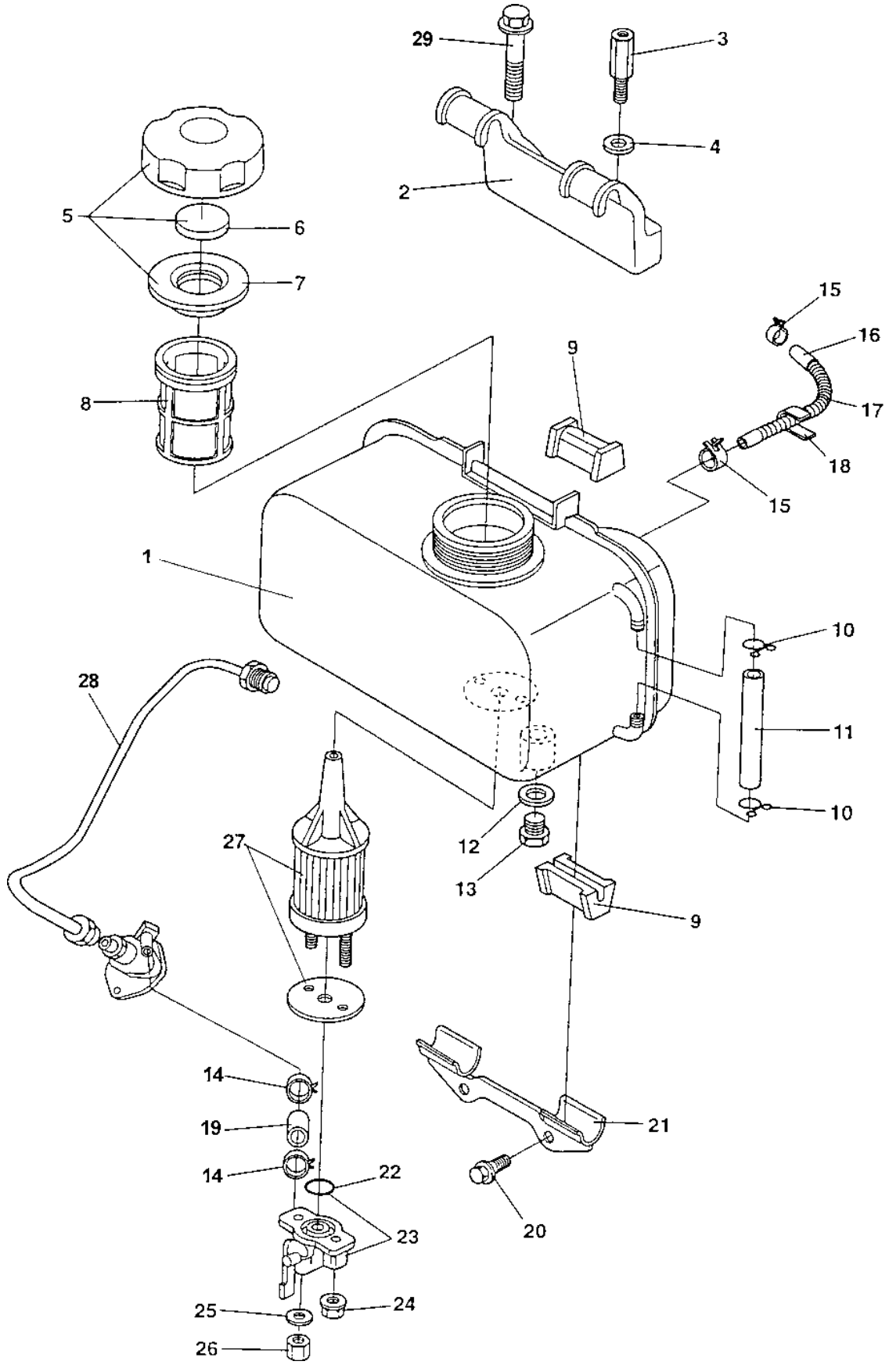
B) Delivred with pump

Engine

Ref. No.	Part No.	Rem.	Qty	Description	Code
10				Engine Yanmar L100AE (Page 24)	
20				Fuel tank (Page 26)	



Ref. No.	Part No.	Rem.	Qty	Description	Code
1	281320		1	Engine	
3	936230		1	Muffler cover	
4	936231		2	Muffler cover	
5	936232		2	Nut	
6	936233		1	Muffler	
7	936234		1	Gasket	
8	936235		2	Bolt	
9	936236		1	Gasket	
10	936237		1	Air filter house	
11	936238		3	Nut	
12	100901722		1	Filter element	
13	936240		1	Cover	
14	936241		1	Washer	
15	936242		1	Wing nut	
16	936191		1	Starter	
17	936213		1	Recoil starter, cpl	D
18	936214		1	Holder	
19	936215		1	Starter pulley	
20	936216		1	Nut	
21	936217		1	Washer	
22	936218		1	Washer	
23	936219		1	Friction plate	
24	936220		1	Return spring	B
25	936221		1	Spring	B
26	936222		1	Ratchet	
27	936223		1	Reel	B
28	936224		1	Spiral spring	B
29	936227		1	Conduit	
30	936225		1	Starter knob	B
31	936226		1	Rope	
32	936212		1	Screw	
33	936228		2	Plug	
34	500030		4	Screw M10-1,5x35H 8,8	
35	904230		4	Washer 10,5x22x2	
36	936210		10	Screw	
37	100901728		1	Oil filter	A
38	238455		1	O-ring	A
39	238456		1	Screw	
40	936545		1	Oil dipstick	

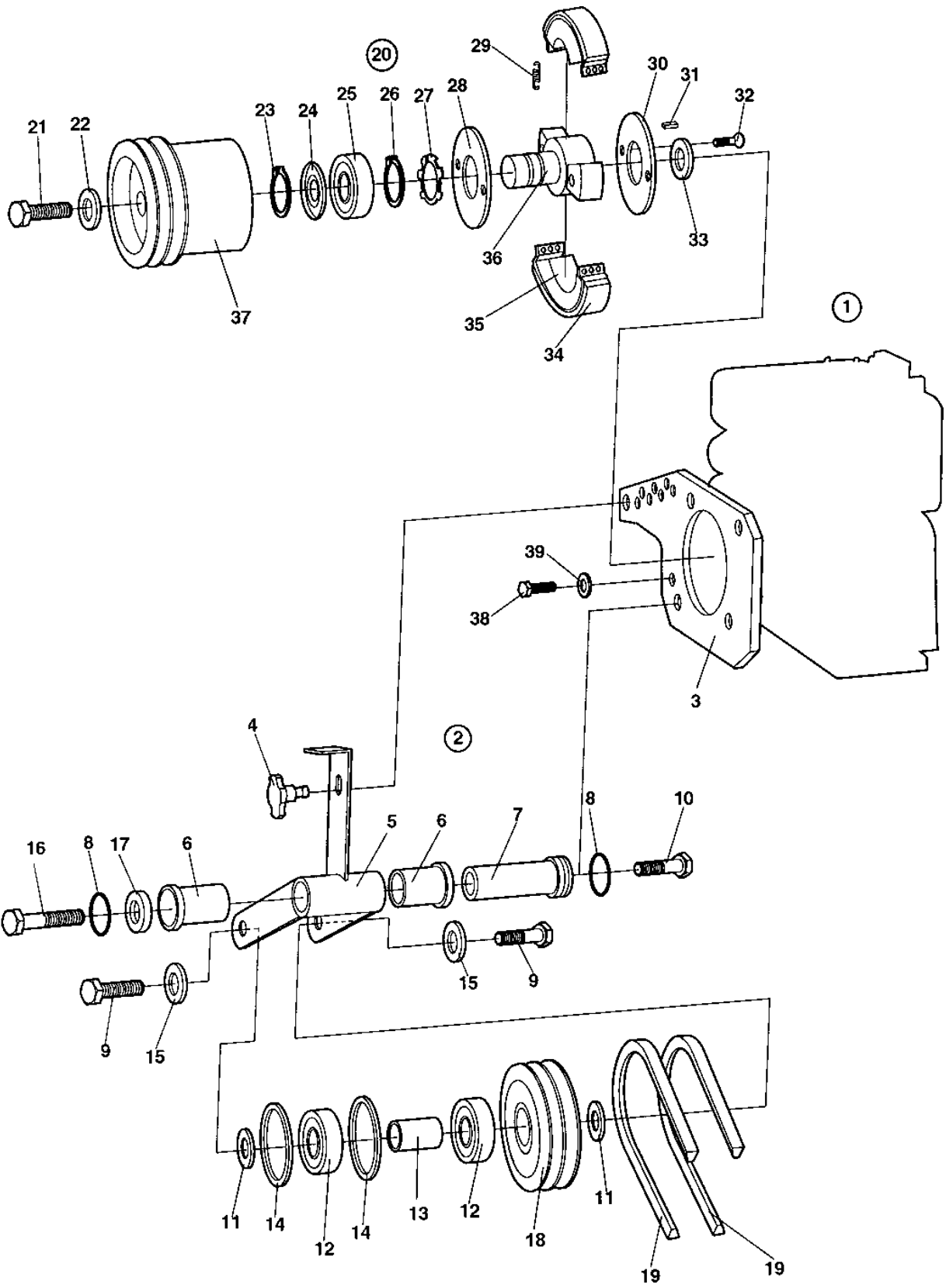


Fuel tank

Ref. No.	Part No.	Rem.	Qty	Description	Code
1	936190	A	1	Fuel tank	
	239898		1	Fuel tank	
2	936173		1	Support	
3	936174		1	Bolt	
4	936175		1	Washer	
5	100901724		1	Filler cap	D
6	100901726		1	Gasket	
7	100901727		1	Gasket	
8	238458		1	Fuel strainer	D
9	936176		4	Rubber protection	
10	936177		2	Clips	
11	936178		1	Pipe gauge	
12	239307		1	Sealing	
13	239308		1	Drain screw	
14	936187		2	Hose clamp	
15	936177		2	Clips	
16	936180		1	Pipe	
17	936181		1	Plastic tube	
18	936182		1	Holder	
19	936188		1	Fuel pipe	
20	936183		2	Bolt	
21	239196		1	Bracket	
22	238460		1	O-ring	
23	239193		1	Fuel cock	
24	239194		1	Nut	
25	936184		1	Washer	
26	936185		1	Nut	
27	238459		1	Fuel filter	A
28	936189	A	1	Fuel pipe	
	938925		1	Fuel pipe	
29	936172		1	Bolt	

A) Old version

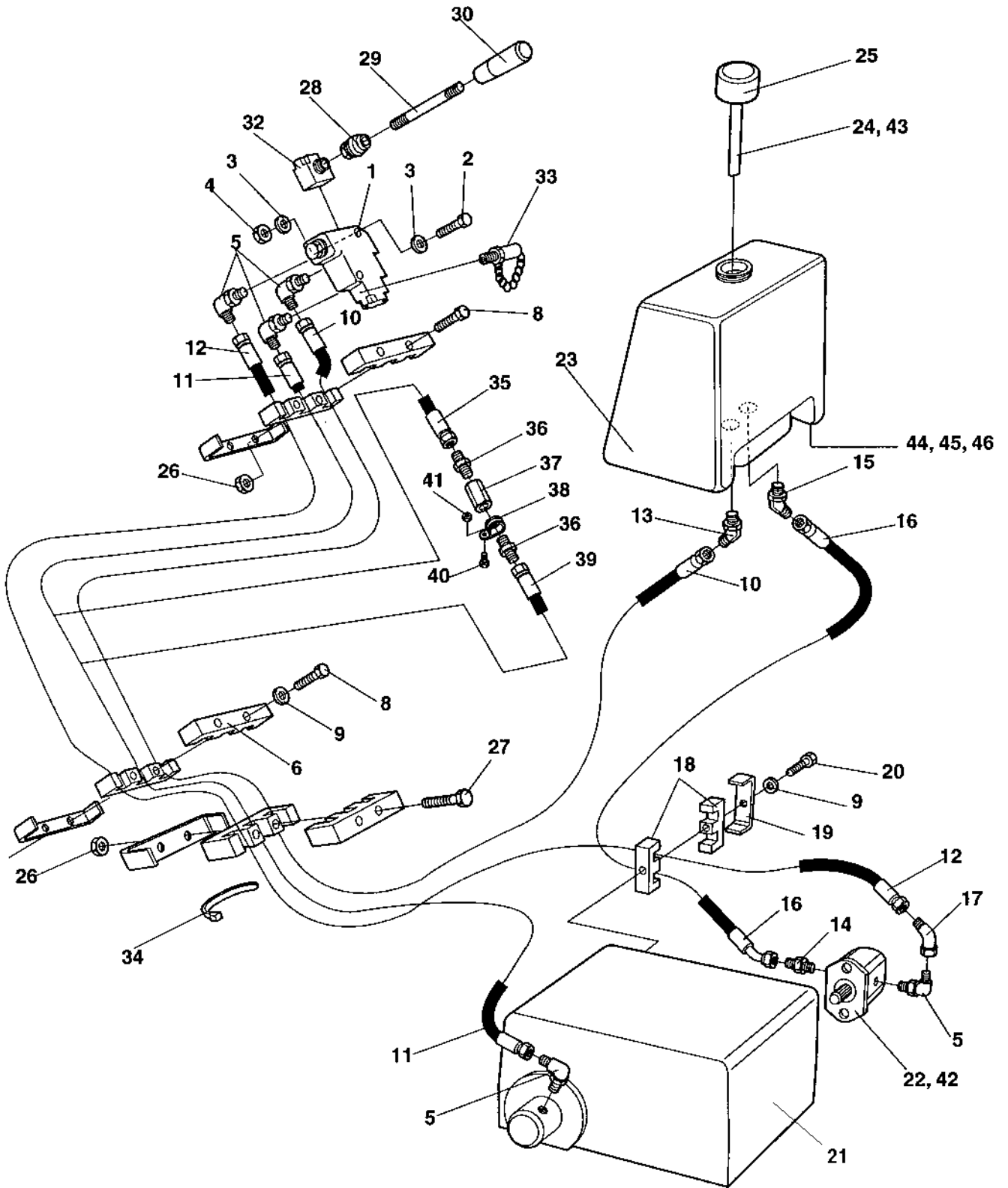
Ref. No.	Part No.	Rem.	Qty	Description	Code
10				Power transmission (Page 30)	



Ref. No.	Part No.	Rem.	Qty	Description	Code
1		A	1	Engine	
2			1	V-belt tensioner, cpl To SN 84800432	
			1	V-belt tensioner, cpl From SN 80400433	
3	100505025		1	.Bracket Up to 84800432	
	382101		1	.Bracket Up to 84800433	
4	100505034		1	.Knob	
5	100505026		1	.Lever	
6	281371		2	.Flange bearing	
7	100505027		1	.Shaft Up to 84800432	
	382100		1	.Shaft Up to 84800433	
8	160005		2	.O-ring	
9	500028		2	.Screw M10-1,5x25 8,8	
10	513025		1	.Screw Up to 84800432	
11	150012		2	.Snap ring	D
12	111180		2	.Ball bearing	D
13	100505033		1	.Shaft	
14	151019		2	.Retaining ring	D
15	615044		2	.Conical spring washer	D
16	500028		1	.Screw M10-1,5x25 8,8 Up to 84800432	
	904532		1	.Screw From 84800433	
17	100505028		1	.Washer	
18	280525		1	.V-belt pulley	
19	281370		2	.V-belt Up to 84800326	A
	904776		2	.V-belt From 84800327	
20	280523		1	Centrifugal clutch	D
21	500048		1	.Screw M10-1,5x20 8,8	
22	615072		1	.Washer	
23	150015		2	.Snap ring	
24	134056		1	.Sealing ring	
25	111178		2	.Ball bearing	D
26	151023		1	.Retaining ring	
27	239539		1	.Retaining ring	
28	935427		1	.Cover	
29	912481		1	.Spring	B
30	935426		1	.Cover	
31	350036		1	Key	D
32	535024		2	.Screw	
33	100505044		1	.Spacer	
34	929355		2	.Clutch lining	B
35	239746		2	.Weight	
36	239747		1	.Hub	
37	935736		1	.Pulley	
38	700623477		4	Screw	
39	700738499		4	Washer	

A) See section engine

Ref. No.	Part No.	Rem.	Qty	Description	Code
10				Hydraulic system Up to SN -84800589 (Page 34)	
20				Hydraulic system From SN 84800590- (Page 36)	
30				Hydraulik tank From SN 84800590- (Page 38)	



Ref. No.	Part No.	Rem.	Qty	Description	Code
1	281375		1	Valve	D
2	500079		2	Screw M6x50	
3	904569		4	Washer	
4	902285		2	Lock nut M6	
5	234481		5	Adapter	
6	280534		3	Rubber block	
7	100505023		3	Bracket	
8	500025		4	Screw	
9	904229		3	Washer 8,4x16x1,5	
10	281380	A	1	Hydraulic hose	D
11	281434	B	1	Hydraulic hose	D
12	281378	C	1	Hydraulic hose	D
13	234992		1	Adapter	
14	334520		1	Adapter	
15	234992		1	Adapter	
16	281381	D	1	Hydraulic hose	D
17	234622		1	Adapter	
18	281705		1	Rubber block	
19	280538		1	Bracket	
20	500024		1	Screw	
21		E	1	Eccentric element	
22		E	1	Hydraulic pump	
23	100505035		1	Hydraulic tank	
24	281098		1	Connector	
25	929105		1	Filler cap	D
26	902286		4	Lock nut M8	
27	500026		2	Screw	
28	570005		1	Nut M8	
29	100505042		1	Rod	
30	903821		1	Grab handle	
31	936595		1	Rubber Cover	
32	937924	F	1	Lever housing	
33	938163		1	Measuring nipple	
34			1	Cable ties	
35	482754	G	1	Hydraulic hose	
36	334144	G	2	Connector	
37	928814	G	1	Valve	
38	960727	G	1	Clamp	
39	281434	G	1	Hydraulic hose	D
40	500053	G	1	Screw M8-1,25x20 8,8	
41	902286	G	1	Lock nut M8	
42	280540		1	Protector	
43	900863		1	Tension pin	
44	100505046		2	Bracket	
45	615044		4	Conical spring washer	D
46	508028		4	Screw	

A) L=1250MM

B) L=1400MM

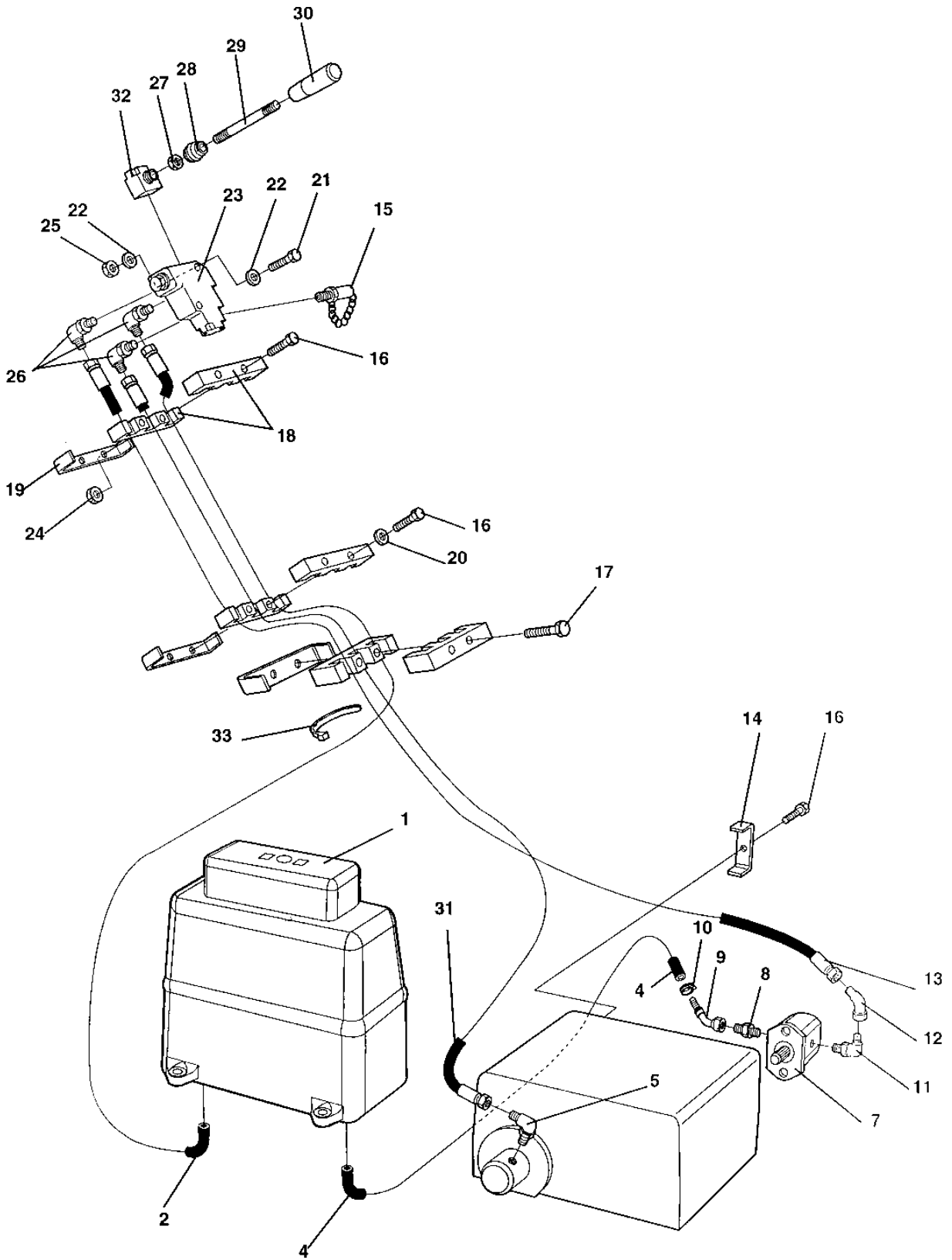
C) L=1620MM

D) L=650MM

E) See section eccentric element

F) Included in 281375

G) In old version



Ref. No.	Part No.	Rem.	Qty	Description	Code
1		A	1	Hydraulic tank	
2	383401	D	1	Hydraulic hose	D
3	313108	A	1	Hose clamp	
4	383405	E	1	Hydraulic hose	
5	234481		1	Adapter	
6		B	1	Eccentric element	
7		B	1	Hydraulic pump	
8	791145		1	Straight adapter	
9	383755		1	Connector	
10	313003	A	2	Hose clamp	D
11	281466		1	Adapter	
12	234622		1	Adapter	
13	281378	F	1	Hydraulic hose	D
14	383458		1	Hose holder	
15	938163		1	Measuring nipple	
16	500025		5	Screw	
17	500026		2	Screw	
18	280534		3	Rubber block	
19	100505023		3	Bracket	
20	904229		2	Washer 8,4x16x1,5	
21	500079		2	Screw M6x50	
22	904639		4	Washer	
23	281375		1	Valve	D
24	902286		2	Lock nut M8	
25	902285		2	Lock nut M6	
26	234481		4	Adapter	
27	570005		1	Nut M8	
28	936595		1	Rubber Cover	
29	100505042		1	Rod	
30	903821		1	Grab handle	
31	281434	G	1	Hydraulic hose	D
32	937924	H	1	Lever housing	
33	313041		1	Cable ties L=186 mm	

A) See section hydraulic tank

B) See section eccentric element

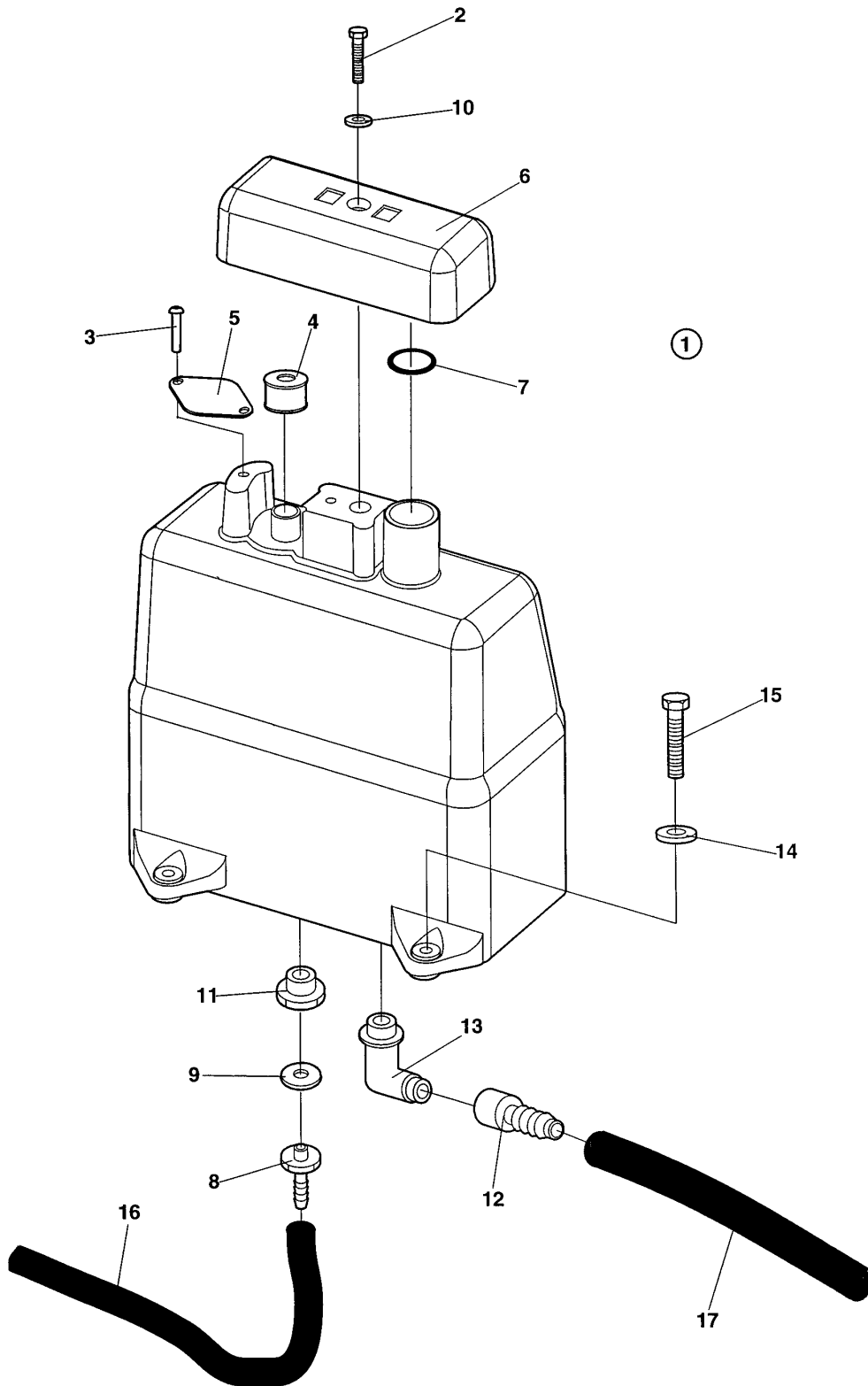
D) L=1230 MM

E) L=470 MM

F) L=1620MM

G) L=1400MM

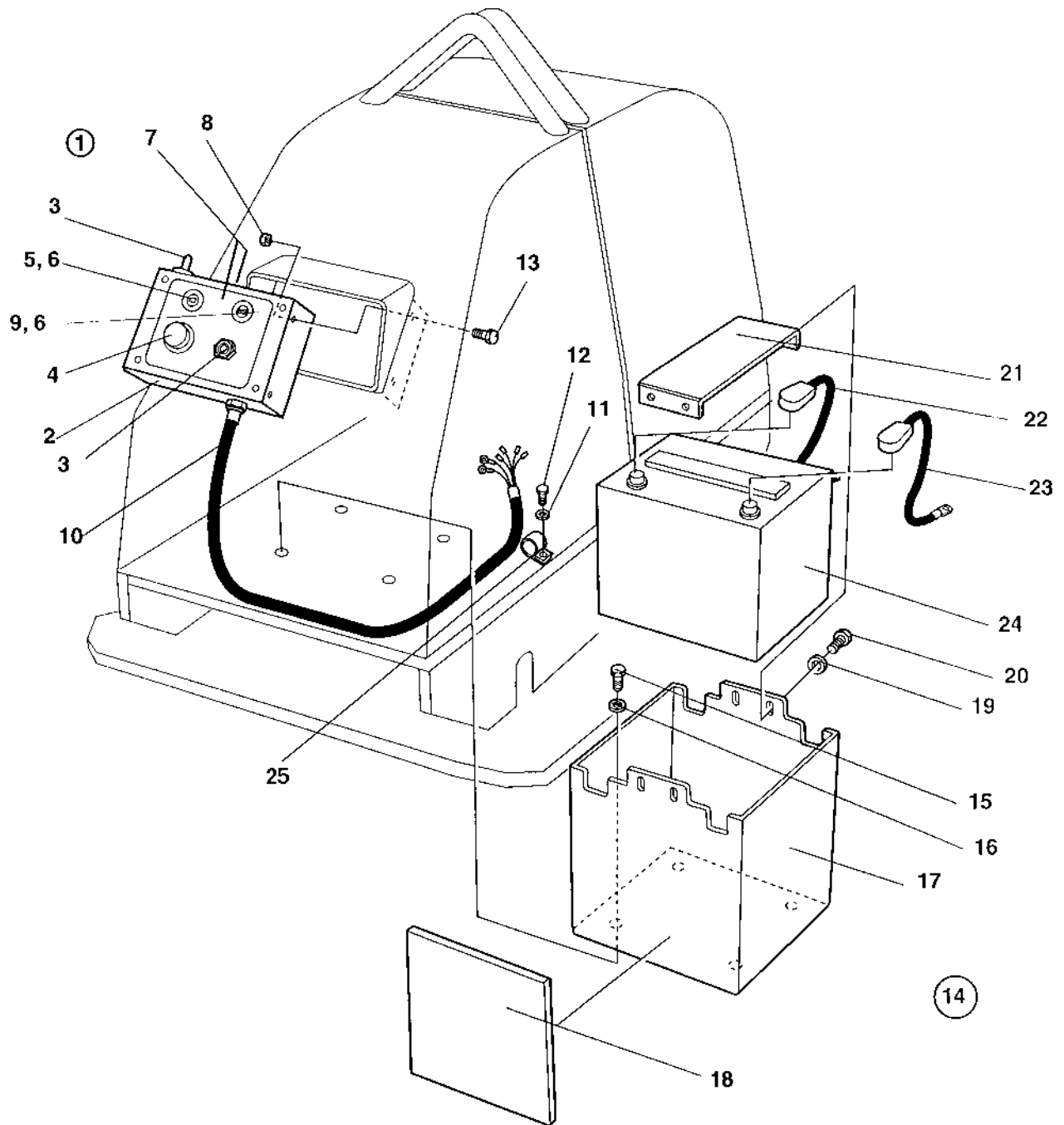
H) Included in 281375



Ref. No.	Part No.	Rem.	Qty	Description	Code
1			1	Hydraulic tank, cpl	
2	500021		1	.Screw M8-1,25x25 8,8	
3	904960		2	.Screw	
4	381566		1	.Air filter	
5	381563		1	.Holder	
6	381385		1	.Cover	
7	160110		1	.O-ring	
8	383353		1	.Hose coupling	
9	480124		1	.Washer	
10	904229		1	.Washer 8,4x16x1,5	
11	383039		1	.Reduction	
12	383355		1	.Hose coupling	
13	334238		1	.Adapter	
14	904557		4	Washer	
15	500029		4	Screw M10-1,5x30 8,8	
16		A	1	Hydraulic hose	
17		A	1	Hydraulic hose	

A) See section hydraulic system

Ref. No.	Part No.	Rem.	Qty	Description	Code
10				Electric equipment (Page 42)	

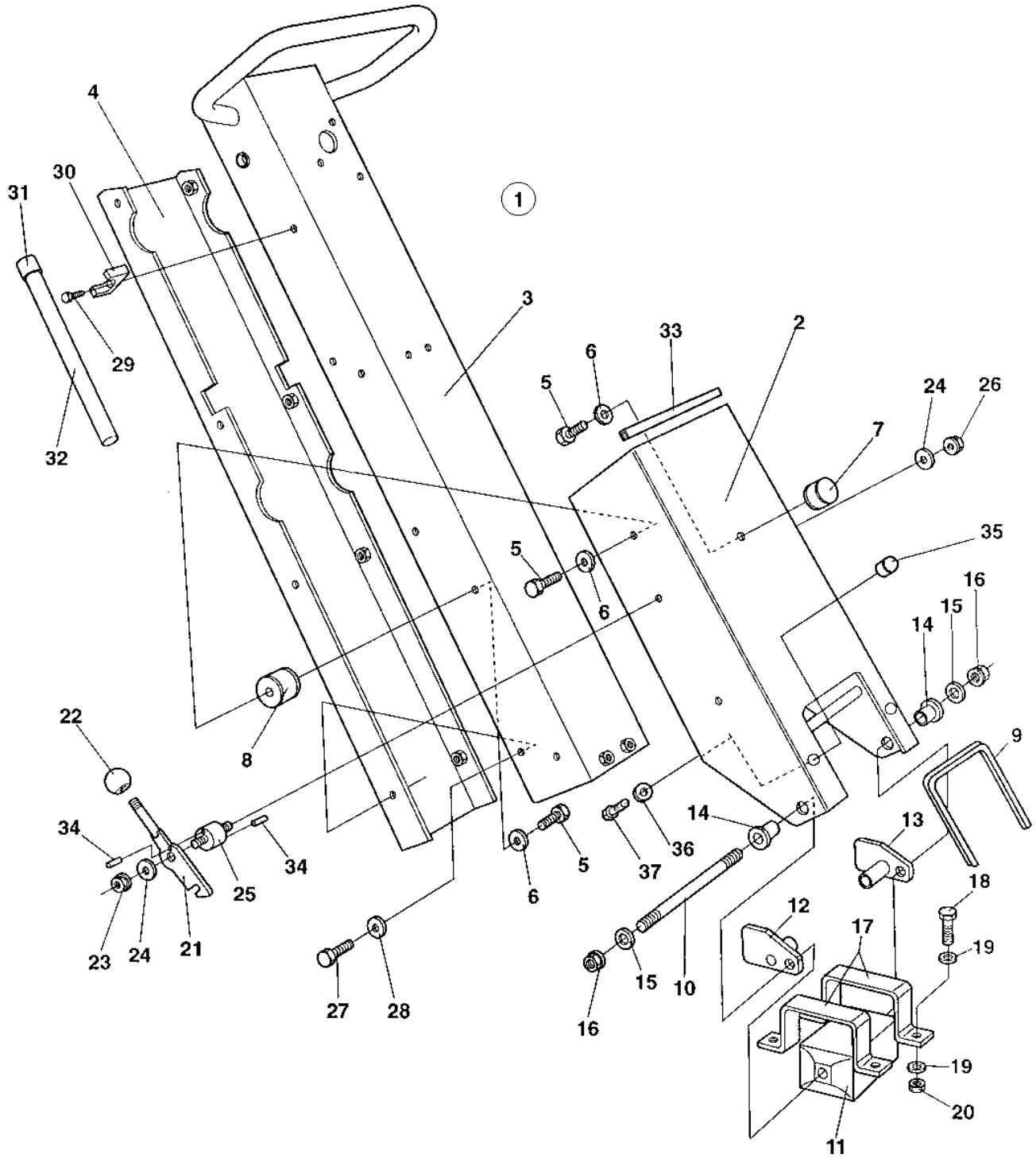


Ref. No.	Part No.	Rem.	Qty	Description	Code
1			1	Electric box cpl	
2	100505078		1	.Box	
3	288267		2	.Switch	B
4	100901140		1	.Starter switch	
5	239493		1	.Charging indicator	
6	985012		2	.Bulb	D
7	100505079		1	.Decal	
8	902285		4	.Lock nut M6	
9	239466		1	.Oil pressure lamp	D
10			1	.Protection hose	D
11	904639		2	Washer	
12	500013		2	Screw M6-1x16 8,8	
13	513008		4	Screw	
14			1	Battery box, cpl	
15	500043		4	.Screw M10x16H 8,8	
16	904230		4	.Washer 10,5x22x2	
17	100505005		1	.Box	
18	100505007		1	.Battery isolation, cpl	
19	904229		4	.Washer 8,4x16x1,5	
20	500019		4	.Screw M8-1,25x16 8,8	
21	100505006		1	.Cover	
22	100505038		1	Battery cable (+)	
23	100505039		1	Battery cable (-)	
24	282896		1	Battery Dry	B
25	903670		2	Clamp	



Handle

Ref. No.	Part No.	Rem.	Qty	Description	Code
10				Handle (Page 46)	
20				Option,dead man handle (Page 48)	

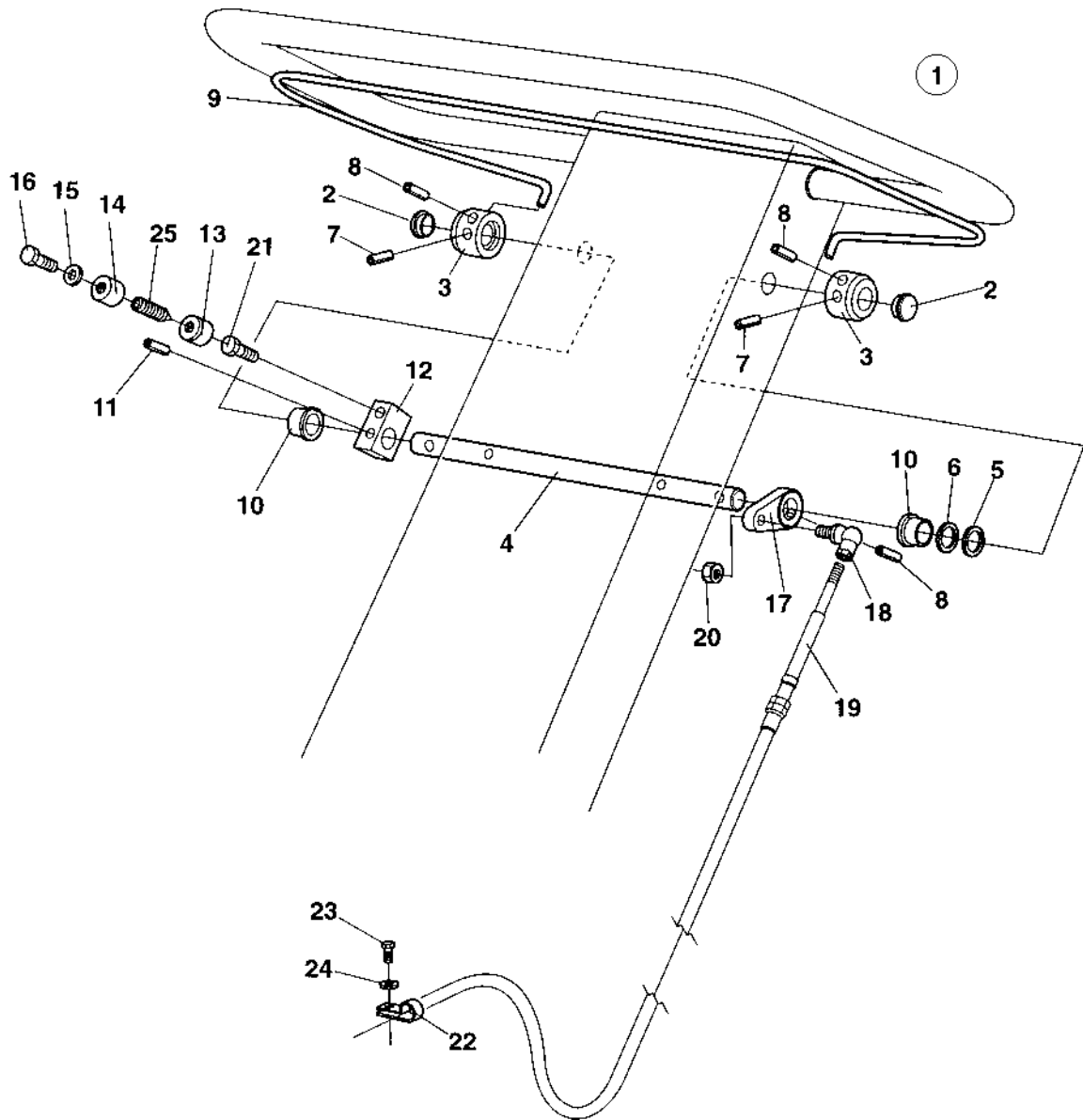


Handle

Ref. No.	Part No.	Rem.	Qty	Description	Code
1			1	Handle, cpl	
2	100505002		1	.Handle, lower	
3	100505008		1	.Handle	
4	100505014		1	.Cover	
5	500043		9	.Screw M10x16H 8,8	
6	904230		9	.Washer 10,5x22x2	
7	281804		1	.Rubber stop	D
8	100900808		4	.Shock absorber	
9	902379	B	1XL	.Edge trim	
10	100504231		1	.Stud	
11	100900821		1	.Shock absorber	
12	100505016		1	.Retainer, right	
13	100505015		1	.Retainer, left	
14	100504232		2	.Sleeve	
15	900994		2	.Lock washer	
16	581013		2	.Nut	
17	100900822		2	.Retainer	
18	500194		4	.Screw M12x40	
19	904703		8	.Washer 13x24x4	
20	586019		4	.Lock nut M12	
21	100505056		1	Hook	
22	281382		1	Ball knob M12, D= 50mm	
23	581012		1	Nut	
24	900993		2	Lock washer	
25	281431		1	Shock absorber	B
26	581012		1	Nut	
27	500019		8	Screw M8-1,25x16 8,8	
28	904229		8	Washer 8,4x16x1,5	
29	281115		2	Screw	
30	281234		2	Ryw-clips	
31	100504609		1	Plug	
32	100901382		1	Hose	
33	926911	C	1XL	Rubber strip	
34	629059		2	Spirol pin	
35	282152		2	Shock absorber	B
36	904229		2	Washer 8,4x16x1,5	
37	500019		2	Screw M8-1,25x16 8,8	

B) L=165MM

C) 220MM



Option,dead man handle

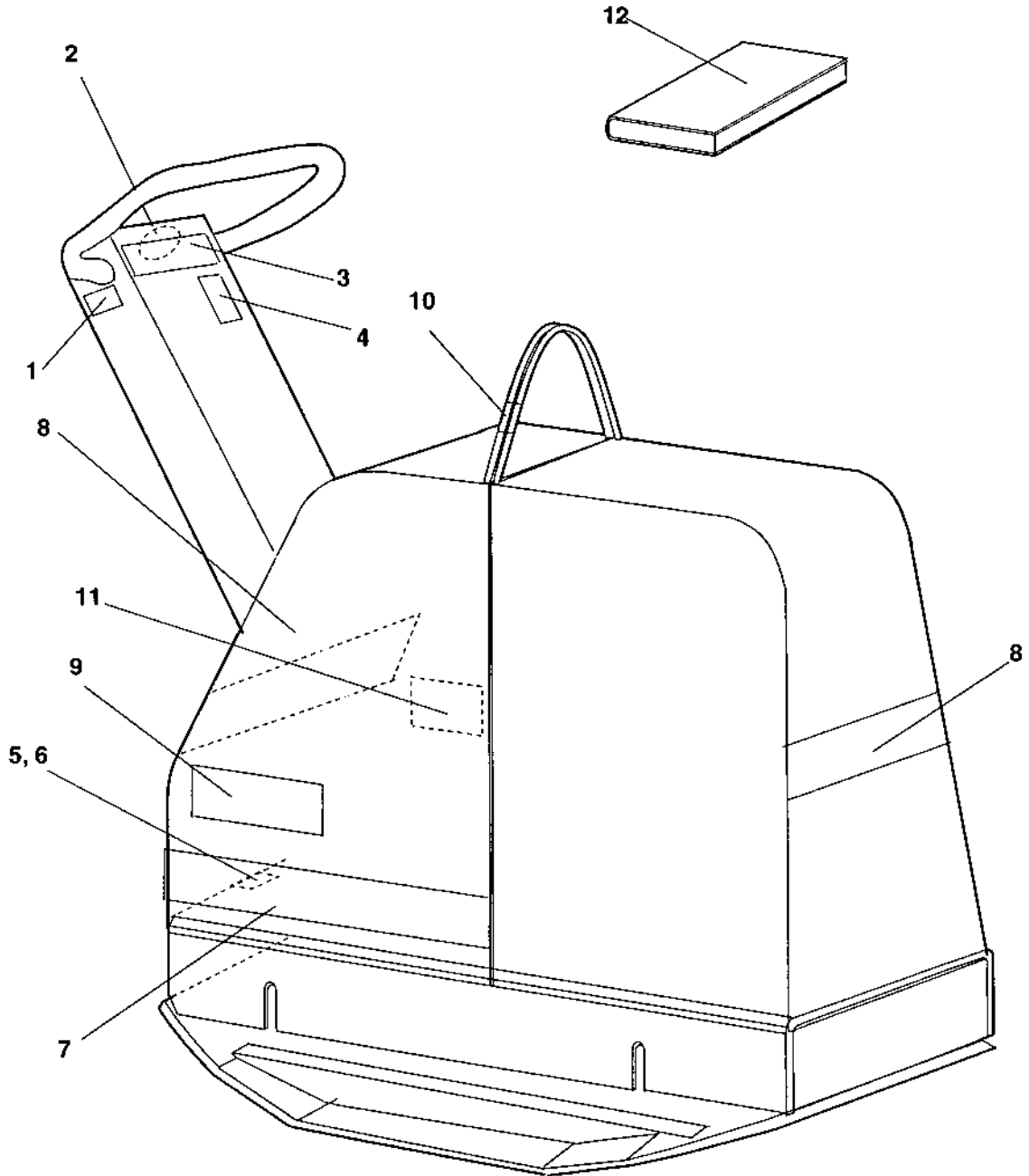
Ref. No.	Part No.	Rem.	Qty	Description	Code
1			1	Dead mans handle	
2	281639		2	.Plug	
3	281635		2	.Hub	
4	100505009		1	.Shaft	
5	904231		2	.Washer 13x24x2	
6	615007		2	.Washer	
7	629053		2	.Spring pin	
8	629038		3	.Spring pin	
9	100505011		1	.Retainer	
10	280756		2	.Slide bearing	
11	629047		1	.Spring pin	
12	281299		1	.Lever	
13	282152		1	.Shock absorber	B
14	281392		1	.Stud	
15	904229		1	.Washer 8,4x16x1,5	
16	500019		1	.Screw M8-1,25x16 8,8	
17	280764		1	.Lever	
18	280842		1	.Ball joint	
19	381270	A	1	.Control cable	
20	570004		1	.Nut M6	
21	281391		1	.Adjusing screw	B
22	921065		2	.Clamp	
23	508001		2	.Screw	
24	904228		2	.Washer 6,4x12x1,5	
25	516013		1	.Set screw	

A) L=1200mm



Decals and documentation

Ref. No.	Part No.	Rem.	Qty	Description	Code
10				Decals and documentation (Page 52)	



Decals and documentation

Ref. No.	Part No.	Rem.	Qty	Description	Code
1	282978		2	Decal, Throttle lever	
2	281898		1	Decal, ear protection	
3	904680		1	Decal "Read instruction manual"	
4	100504272		1	Decal, driving direction	
5	100504810	A	1	Identification plate	
	385135SE		1	Identification plate	
6	700650458	A	4	Screw	
	5270002		4	Screw	
7	100504809		2	Decal	
8	100501276		2	Decal, Tremix	
9	100505041		2	Decal MV 440	
10	281269		4	Decal "LIFT"	
11	903832		1	Safety decal	
12			1	Documentation	
			1	.Instructionbook, engine	
			1	.Operation IMV440	
			1	.Spareparts catalogue SMV440	

A) Old version

SMV440-1EN1

NUMERICAL INDEX

Part Number	Page	Part Number	Page	Part Number	Page
100501276	53	238456	25	281968	17,21
100504231	47	238458	27	282090	11
100504232	47	238459	27	282152	7,9,47
100504272	53	238460	27		,49
100504609	47	239193	27	282714	9
100504809	53	239194	27	282718	17,21
100504810	53	239196	27	282896	43
100505001	7,9	239307	27	282978	53
100505002	47	239308	27	283021	11
100505005	43	239466	43	283022	11
100505006	43	239493	43	287639	11
100505007	43	239539	31	288267	43
100505008	47	239746	31	313003	37
100505009	49	239747	31	313041	37
100505011	49	239898	27	313108	37
100505014	47	280418	9	334144	35
100505015	47	280430	17,21	334238	39
100505016	47	280431	17,21	334520	35
100505023	35,37	280432	17,21	350029	17,21
100505025	31	280434	17,21	350036	31
100505026	31	280435	17,21	380155	17,21
100505027	31	280436	17,21	380159	17,21
100505028	31	280437	17,21	380160	17
100505033	31	280440	17,21	380410	13
100505034	31	280441	17,21	380411	13
100505035	35	280442	17,21	380790	7,9
100505036	7,9	280443	17	381270	49
100505038	43	280444	17	381385	39
100505039	43	280445	17,21	381563	39
100505041	53	280446	17	381566	39
100505042	35,37	280447	17,21	381783	17,21
100505044	31	280448	17,21	381786	17,21
100505046	35	280449	17	381787	17,21
100505047	11	280450	17,21	382008	13
100505049	11	280454	7,9	382100	31
100505051	11	280523	31	382101	31
100505052	11	280525	31	383039	39
100505053	11	280534	35,37	383353	39
100505054	7	280538	35	383355	39
100505056	47	280540	35	383401	37
100505067	11	280756	49	383405	37
100505068	11	280764	49	383458	37
100505069	11	280842	49	383562	21
100505078	43	280888	13	383755	37
100505079	43	281098	35	384016	7,9
100900808	47	281115	47	385135SE	53
100900821	47	281234	47	480124	39
100900822	47	281269	53	482754	35
100900906	7	281276	17,19	500007	11
100901140	43	281299	49	500012	17,21
100901382	47	281320	25	500013	43
100901722	25	281347	17	500019	43,47
100901724	27	281349	7		,49
100901726	27	281370	31	500021	7,9,11
100901727	27	281371	31		,39
100901728	25	281374	17	500022	17,21
111022	17,21	281375	35,37	500024	35
111178	31	281378	35,37	500025	35,37
111180	31	281380	35	500026	35,37
134056	31	281381	35	500028	31
150002	17	281382	11,47	500029	39
150012	31	281383	11	500030	25
150015	31	281391	49	500035	7,9
150020	17,21	281392	49	500040	17,21
150033	17,21	281428	11	500043	43,47
150035	17,21	281431	47	500048	11,17
151008	17,21	281432	11		,21,31
151019	31	281434	35,37	500051	11
151023	31	281466	37	500053	7,9,35
160005	31	281501	17,21	500056	13
160110	39	281502	17,21	500079	35,37
162011	17,21	281503	21	500121	11
232143	17,21	281635	49	500194	7,9,11
234481	35,37	281639	49		,47
234622	35,37	281705	35	505054	9
234992	35	281804	11,47	508001	49
238455	25	281898	53	508005	17,21

SMV440-1EN1

NUMERICAL INDEX

Part Number	Page	Part Number	Page	Part Number	Page
508025	17,21	912481	31	937924	35,37
508028	7,9,35	921065	49	938163	35,37
513008	43	924543	7,9	938925	27
513012	11	926911	47	947700	11
513025	31	928786	17,21	960727	35
516013	49	928787	17,21	985012	43
5270002	53	928788	17,21		
535024	31	928789	17,21		
570004	11,21	928791	17,21		
	,49	928792	17		
570005	35,37	928794	17,21		
570006	11	928795	17,21		
570007	11	928796	17,21		
570008	7,9	928797	17,21		
581012	47	928798	17,21		
581013	47	928802	17		
586003	11	928814	35		
586019	7,9,11	928893	17,21		
	,13,47	928894	17,21		
615007	49	928895	17		
615042	11	928944	17,21		
615043	11,17	929105	35		
615044	11,31	929291	17		
	,35	929355	31		
615045	11	935426	31		
615072	31	935427	31		
615117	7,9	935736	31		
629038	49	936172	27		
629047	49	936173	27		
629053	49	936174	27		
629059	47	936175	27		
645043	7,9	936176	27		
700623477	31	936177	27		
700639499	11	936178	27		
700650458	53	936180	27		
700738499	31	936181	27		
747541	7,9	936182	27		
791145	37	936183	27		
900863	35	936184	27		
900899	17	936185	27		
900906	9	936187	27		
900993	11,47	936188	27		
900994	11,47	936189	27		
901836	11	936190	27		
902285	11,35	936191	25		
	,37,43	936210	25		
902286	35,37	936212	25		
902287	13	936213	25		
902379	47	936214	25		
903670	43	936215	25		
903821	35,37	936216	25		
903832	53	936217	25		
903904	11	936218	25		
903923	11	936219	25		
904213	7,9,17	936220	25		
	,21	936221	25		
904228	21,49	936222	25		
904229	21,35	936223	25		
	,37,39	936224	25		
	,43,47	936225	25		
	,49	936226	25		
904230	11,17	936227	25		
	,25,43	936228	25		
	,47	936230	25		
904231	13,49	936231	25		
904232	7,9	936232	25		
904532	31	936233	25		
904557	39	936234	25		
904569	35	936235	25		
904637	17	936236	25		
904639	37,43	936237	25		
904680	53	936238	25		
904703	47	936240	25		
904776	31	936241	25		
904811	17,21	936242	25		
904841	13	936545	25		
904960	39	936595	35,37		

