

# **TREMIX**

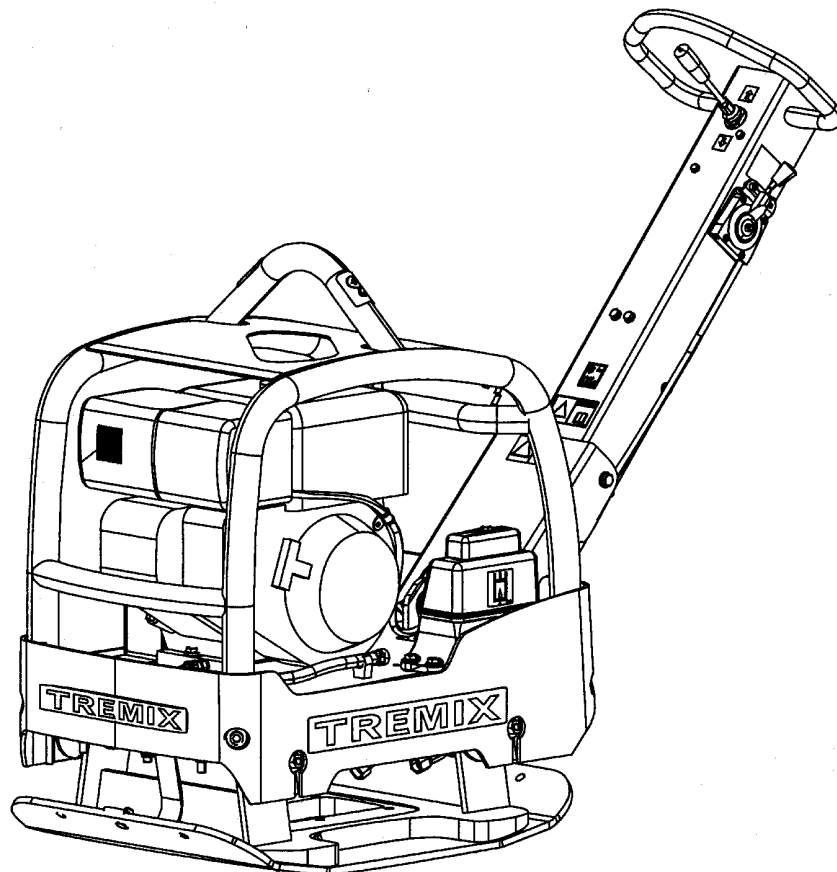
## **Forward and Reversing Plate Compactor**

### **MV 305/320**

### **SPARE PARTS**

### **CATALOGUE**

**SMV305-1EN2**



**TREMIX®**

Nordic Construction Equipment AB  
Stensättravägen 9, Box226  
SE- 127 24 Skärholmen, Sweden  
Tel: +46 8 603 32 00 Telefax: +46 8 646 72 61



## Forward and Reversing Plate Compactor MV 305/320 Spare Parts Catalogue

### SMV305-1EN2

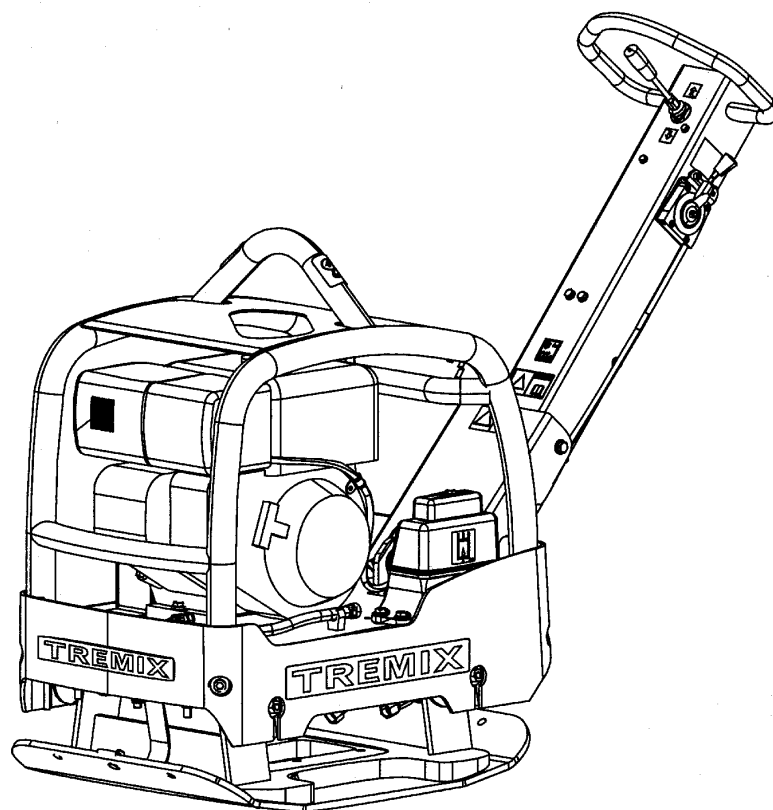
*Engines:*

*Honda GX270 (MV305)*

*Hatz IB30 (MV320)*

*Published catalogue issues valid for these plate compactor:*

<i>Catalogue</i>	<i>Issue date</i>	<i>Replaced by</i>
<i>SMV305-1EN0</i>	<i>2005-10</i>	<i>SMV305-1EN1</i>
<i>SMV305-1EN1</i>	<i>2006-06</i>	<i>SMV305-1EN2</i>
<i>SMV305-1EN2</i>	<i>2006-10</i>	



## RESERVDELSBESTÄLLNING

Följande uppgifter ska lämnas vid beställning av reservdelar för att undvika leveransfel:

1. Maskintyp.
2. Vältens serienummer.
3. Antal av önskad reservdel.
4. Reserdelens artikelnummer.
5. Reservdelens benämning.
6. Måttuppgifter vid beställning av metervera.

## ERSATZTEILBESTELLUNG

Zur Vermeidung von Fehllieferungen sind bei der Bestellung von Ersatzteilen folgende Angaben zu machen:

1. Maschinentyp.
2. Herstellungsnummer.
3. Bestellmenge. (Quantity)
4. Ersatzteilnummer. (Part N°)
5. Ersatzteilbenennung. (Denomination)
6. Massangaben bei Bestellung von Meterware.

## PEDIDO DE RECAMBIOS

Para evitar errores en las entregas, deberán indicarse los siguientes datos al hacer un pedido de recambios:

1. Tipo de máquina.
2. Número de serie.
3. Cantidad de piezas deseadas. (Quantity)
4. Número de artículo de la pieza de recambio. (Part N°)
5. Denominación de la pieza. (Denomination)
6. Indíquese la medida al solicitar un artículo que se expide por metros.

## ORDERING SPARE PARTS

To avoid errors in delivery, please give the following information when ordering spare parts:

1. Type of machine.
2. Roller serial number.
3. Quantity required.
4. Part number.
5. Parts denomination.
6. Dimensions when ordering per length.

## ORDINI DI RICAMBI

Perevitare errori nelle consegne di ricambi, Vi preghiamo di comunicarci le seguenti informazioni al momento dell'ordinazione:

1. Tipo di macchina.
2. Numero di serie della macchina.
3. Quantità dei pezzi desiderati. (Quantity)
4. Numero di codice del pezzo. (Part N°)
5. Descrizione del pezzo di ricambio. (Denomination)
6. Misura, in caso di ordine per metro.

## COMMANDE DE PIÈCES DE RECHANGE

Les indications suivantes doivent être fournies lors de la commande de pièces de rechange, afin d'éviter toute erreur de livraison:

1. Type de machine.
2. Numéro de série.
3. Quantité désirée de pièce de rechange. (Quantity)
4. Numéro de la pièce de rechange. (Part N°)
5. Dénomination de la pièce de rechange. (Denomination)
6. Longueur en cas de commande au mètre.

**YOUR AGENT/DEALER:**





## PÄRMETIKETT

För att undvika fel vid reservdelsbeställning finns här nedan två etiketter som passar i fickorna på pärmarnas ryggar. På dessa kan man se från vilket vältnummer av aktuell maskin reservdelskatalogen gäller. Gör så här:

1. Tag denna sida ur pärmen.
2. Klipp ut etiketten till **VÄNSTER** (1) och sätt in den i fickan på **DENNA** pärmens rygg.
3. Finns det en etikett till **HÖGER** (2), kan denna användas på pärmen för **FÖREGÅENDE** utgåva av denna katalog.
4. Kasta detta papper.

## KATALOG-BESCHRIFTUNG

Zur Vermeidung von Fehlern bei der Ersatzteilbestellung benutzen Sie bitte die unteren Beschriftungen, um die Kataloge auf der Rückseite zu kennzeichnen. Auf der Beschriftung ist angegeben, für welche Maschinennummern der jeweilige Katalog gültig ist. Ablauf:

1. Nehmen Sie dieses Blatt aus dem Katalog.
2. Schneiden Sie die **LINKE** Beschriftung (1) aus. Schieben Sie die Beschriftung in die tasche auf **DEM** Katalogrücke.
3. Sollte die Beschriftung unten **RECHTS** (2) mitgeliefert werden, kennzeichnen Sie damit bitte die **ÄLTERE** Ausführung dieses Kataloges.
4. Den Rest dieses Blattes bitte vernichten.

## ETIQUETA PARA LA CARPETA

Para evitar errores al pedir repuestos utilicen las etiquetas abajo descritas para identificar los catálogos en la parte trasera de la carpeta. En la etiqueta se ven los números de referencia de la serie para la cual es válido el catálogo. Instrucciones:

1. Quitar esta página de la carpeta.
2. Corta la etiqueta **IZQUIERDA** (1) y ponerla en la parte trasera de la carpeta.
3. Si hay una etiqueta en la parte **DERECHA** (2) se puede utilizar en la carpeta para el catálogo que **PRECEDE** a esta.
4. Tirar esta hoja.

## BINDER LABEL

To avoid errors when ordering spare parts use the labels below to identify the catalogues on the back of the binder. The label contain the serial number range for which the catalogue is valid. Do like this:

1. Remove this page from the binder.
2. Cut out the **LEFT** label (1) and put it on **THIS** binders back.
3. If there is a label to the **RIGHT** (2), it can be used on the binder for **PRECEDING** issue of this catalogue.
4. Throw away this paper.

## ETICHETTA POSTA SUL RACCOGLITORE

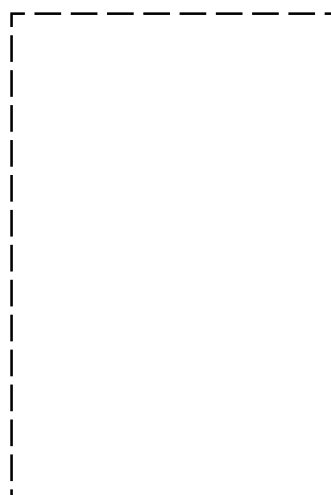
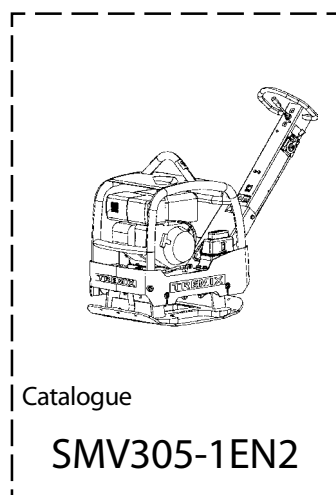
Per evitare errori quando ordinate pezzi di ricambio, usate le etichette in calce che servono ad identificare i cataloghi sul retro del raccoglitore. L'etichetta indica il numero di matricola delle macchine prese in considerazione nel catalogo.

1. Rimuovete questa pagina dal raccoglitore.
2. Ritagliate l'etichetta posta a **SINISTRA** (1) e ponetela sul retro **DEL** raccoglitore.
3. Se trovate anche un'etichetta sulla **DESTRA** (2), ritagliatela e ponetela sul raccoglitore relativo alla **PRECEDENTE** edizione del catalogo.
4. Distruggete questo foglio.

## ETIQUETAGE DU CATALOGUE

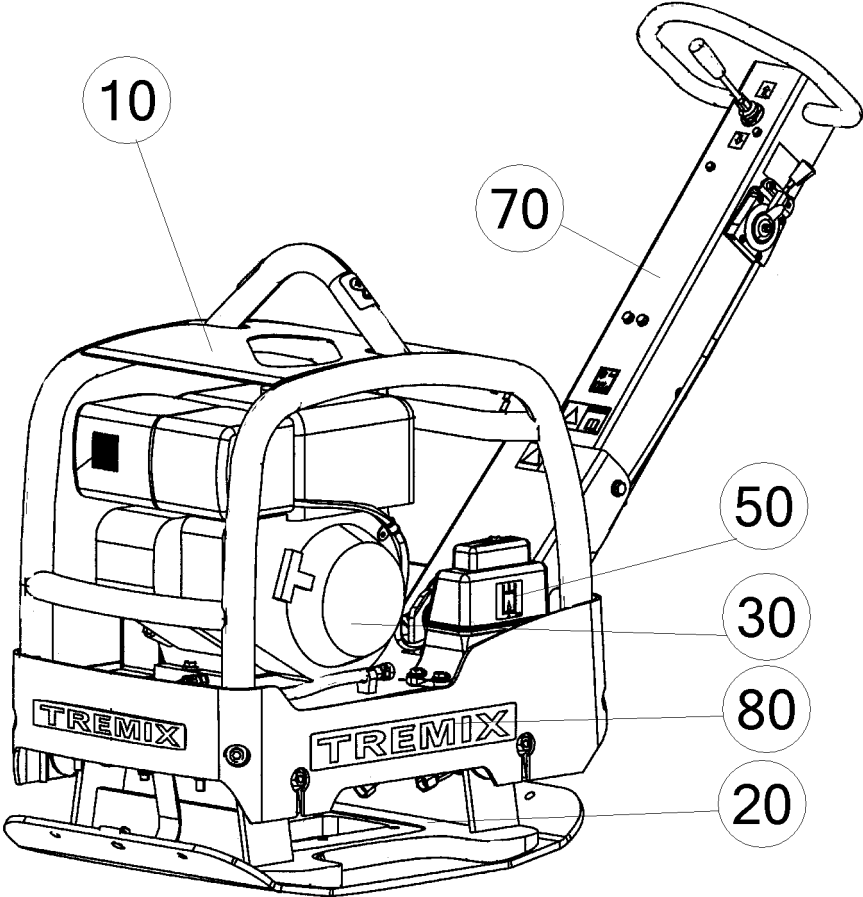
Afin d'éviter des erreurs lors de commandes de pièces de rechange, nous vous conseillons d'apposer les marquages ci-dessous à l'arrière du classeur, pour identifier les catalogues. Ce marquage indique les numéros de série pour lesquels le catalogue est adapté. Il convient de procéder de la façon suivante:

1. Retirez cette page du classeur.
2. Découpez l'étiquette de **GAUCHE** (1), et apposez-la à l'arrière de **CE** catalogue.
3. Si il y a une étiquette à **DROITE** (2), vous pourrez l'apposer sur le classeur de l'edition **PRECEDENTE** du catalogue.
4. Détruire cette feuille.





<b>MV305/320 S/N: 13000001-</b> .....	<b>2</b>
<b>Main assy, engine plate and lower part</b> .....	<b>4</b>
Main assy, engine plate and lower part .....	6
Hoods, only for Hatz version .....	8
Ground plate and eccentric element installation .....	10
<b>Eccentric element</b> .....	<b>12</b>
Eccentric element .....	14
Piston, cpl .....	16
<b>Engine and engine installation</b> .....	<b>18</b>
Engine, cpl Honda .....	20
Engine installation Honda .....	22
Engine Honda GX270 .....	24
Engine, cpl Hatz .....	26
Engine installation Hatz.EL .....	28
Engine Hatz 1B30 .....	30
<b>Power transmission</b> .....	<b>32</b>
Clutch Honda .....	34
Clutch Hatz .....	36
Belt tightner .....	38
<b>Hydraulic system</b> .....	<b>40</b>
Hydraulic diagram .....	42
Hydraulic pump installation .....	44
Hydraulic tank .....	46
<b>Handle and throttle control</b> .....	<b>48</b>
Handle .....	50
Throttle control, Honda .....	52
Throttle control, Hatz .....	54
<b>Decals and documentation</b> .....	<b>56</b>
Decals and documentation .....	58



Ref. No.	Part No.	Rem.	Qty	Description	Code
10				Main assy, engine plate and lower part ( Page 4 )	
20				Eccentric element ( Page 12 )	
30				Engine and engine installation ( Page 18 )	
40				Power transmission ( Page 32 )	
50				Hydraulic system ( Page 40 )	
70				Handle and throttle control ( Page 48 )	
80				Decals and documentation ( Page 56 )	

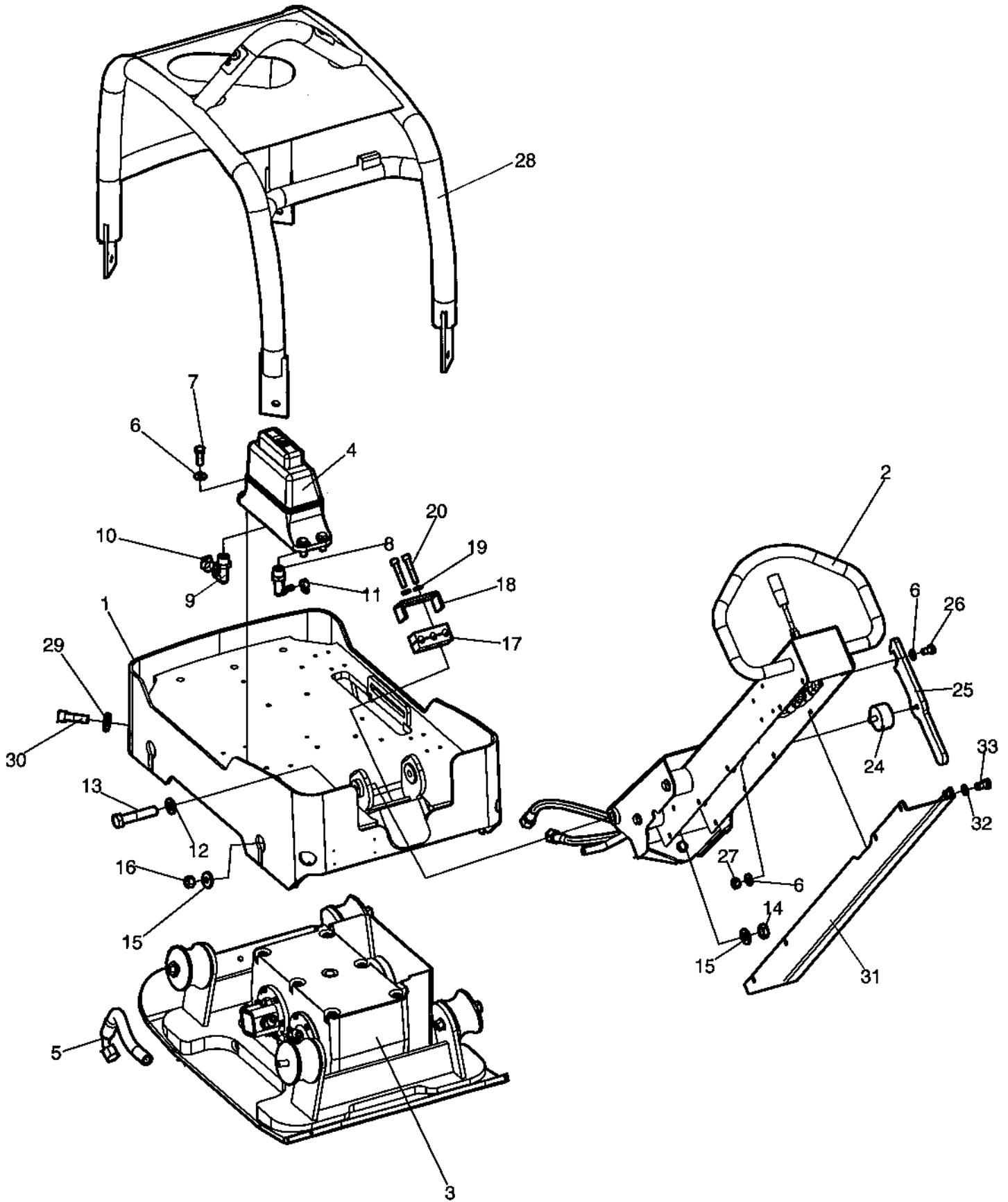


**Main assy, engine plate and lower part**

<b>Ref. No.</b>	<b>Part No.</b>	<b>Rem. Qty</b>	<b>Description</b>	<b>Code</b>
10			Main assy, engine plate and lower part ( Page 6 )	
15			Hoods, only for Hatz version ( Page 8 )	
20			Ground plate and eccentric element installation ( Page 10 )	

Main assy, engine plate and lower part

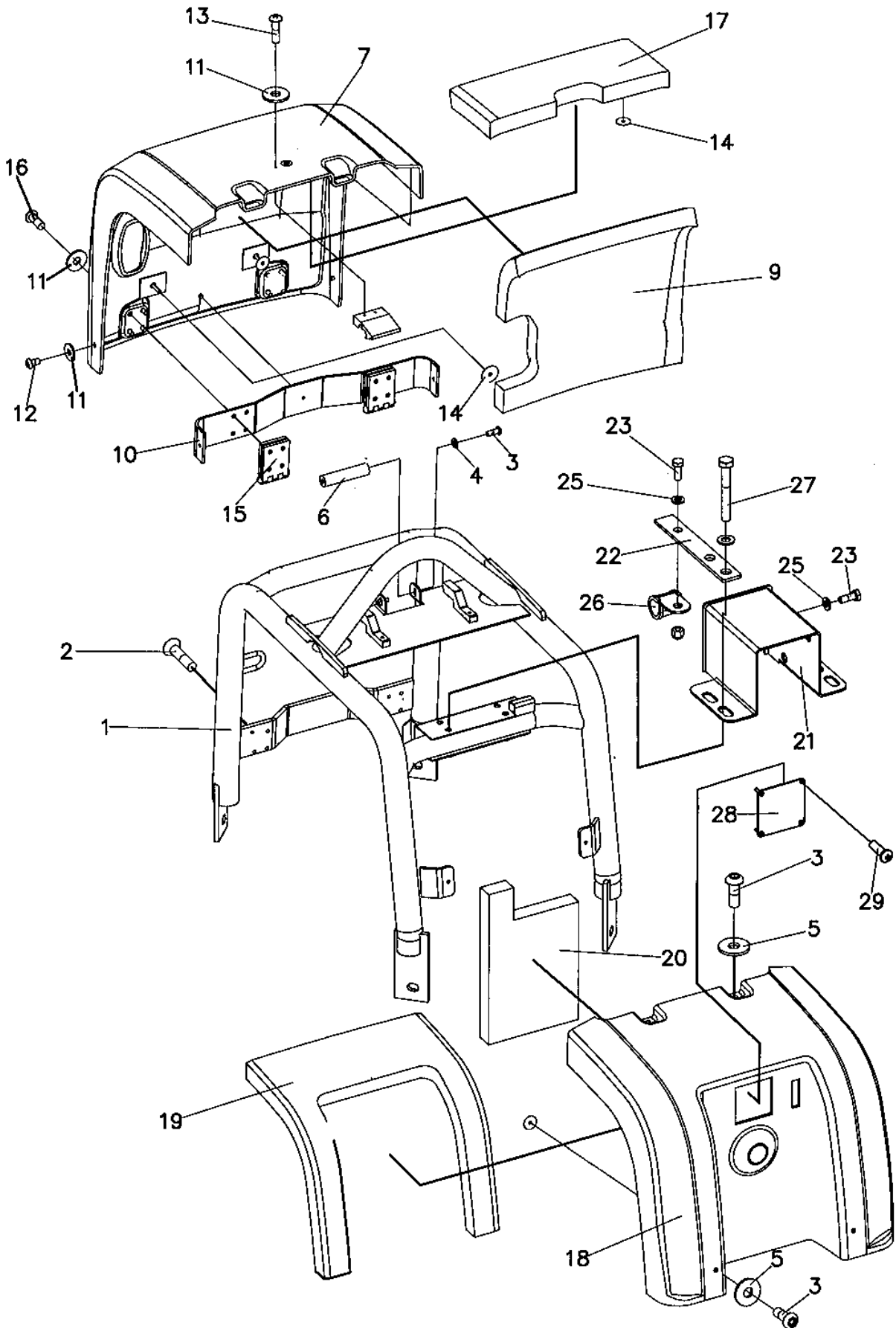
18213



**Main assy, engine plate and lower part**

Ref. No.	Part No.	Rem.	Qty	Description	Code
1	391218-72		1	Engine plate	
2				Handle ( Page 50 )	
3				Ground plate and eccentric element installation ( Page 10 )	
4				Hydraulic pump installation ( Page 44 )	
5	379235		1	Hydraulic hose	
6	904230		6	Washer 10,5x22x2	
7	500029		4	Screw M10-1,5x30 8,8	
8	376674		1	Adapter	
9	376675		1	Adapter	
10	313003		1	Hose clamp 15-24	D
11	313008		1	Hose clamp	D
12	904230		4	Washer 10,5x22x2	
13	947700		2	Screw	
14	573004		2	Nut	
15	904213		4	Washer 13x30x4	
16	570007		4	Lock nut M12	
17	280534		1	Rubber block	
18	100505023		1	Bracket	
19			1	Not used on this model	
20	500025		2	Screw M8-1,25x50 8,8	
24	385387		1	Shock absorber	
25	379004		1	Hook	
26	500048		1	Screw M10-1,5x20 8,8	
27	570006		1	Nut M10	
28	376992-71	A	1	Protective frame	
	379030-71	B	1	Protective frame	
29	904213		4	Washer 13x30x4	
30	508063		4	Screw	
31	378624-03		1	Cover	
32	904229		10	Washer 8,4x16x1,5	
33	500019		1	Screw M8-1,25x16 8.8	
34			1		

- A) Honda  
 B) Hatz  
 D)

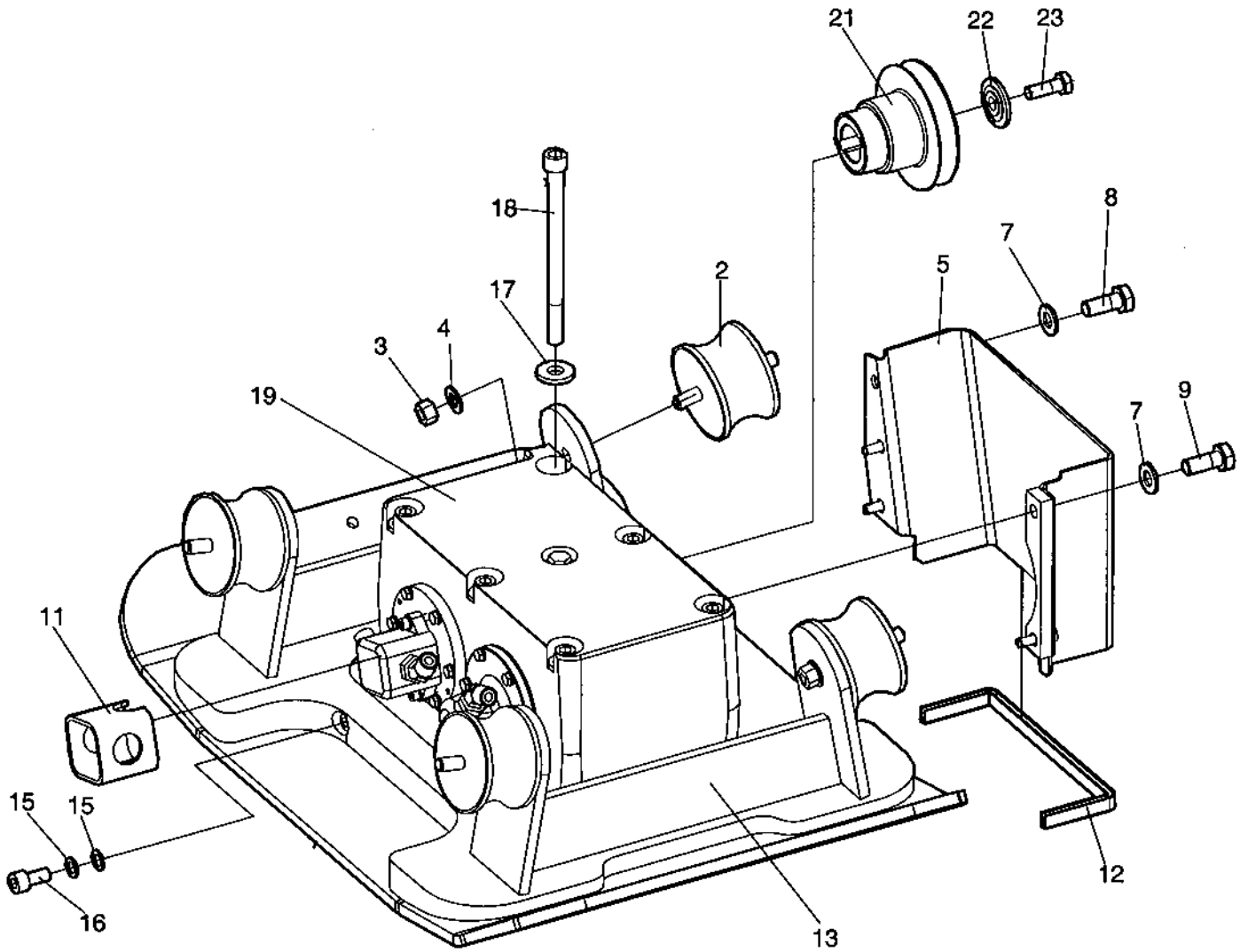


**Hoods, only for Hatz version**

<b>Ref. No.</b>	<b>Part No.</b>	<b>Rem.</b>	<b>Qty</b>	<b>Description</b>	<b>Code</b>
1			1	Protective frame	
2	904649		8	Screw	
3	904206		6	Screw	
4	904228		2	Washer 6,4x12x1,5	
5	904655		4	Washer	
6	379433		1	Bar	
7	390495		1	Front hood	
8	378927		2	Clip	
9	379045		1	Insulation	
10	379402		1	Holder	
11	904655		1	Washer	
12	902224		3	Screw M6x10	
13	792208		2	Screw	
14	391725		16	Insulating washer	
15	381882		2	Hinge	
16	904206		8	Screw	
17	390485		1	Insulation	
18	390497		1	Rear hood	
19	379046		1	Insulation	
20	379047		1	Insulation	
21	378756		1	Holder	
22	904346		2	Clamp	
23	500013		6	Screw M6-1x16 8,8	
24	390487		1	Bracket	
25	904228		4	Washer 6,4x12x1,5	
26	586002		2	Lock nut M6	
27	500026		2	Screw M8-1,25x60 8,8	
28	391406		1	Cover	
29	792208		4	Screw	

Ground plate and eccentric element installation

18214



**Ground plate and eccentric element installation**

<b>Ref. No.</b>	<b>Part No.</b>	<b>Rem.</b>	<b>Qty</b>	<b>Description</b>	<b>Code</b>
2	280750		4	Shock absorber	B
3	570007		4	Lock nut M12	
4	904231		4	Washer 13x24x2	
5	378048		1	Belt guard	
7	904229		5	Washer 8,4x16x1,5	
8	500053		3	Screw M8-1,25x20 8,8	
9	500022		2	Screw M8-1,25x30 8,8	
11	280540		1	Cover	
12			1	Not used on this model	
13	377624		1	Ground plate	
	390396	B,C	1	Ground plate	
14			1	Eccentric element ( Page 14 )	
15	747541		2	Washer	D
16	508028		1	Screw	
17	904703		6	Washer 13x24x4	
18	929454		6	Screw	
21	377943		1	Pulley	
22	280654		1	Washer	
23	500029		1	Screw M10-1,5x30 8,8	

B) Widht = 600mm

C) Option

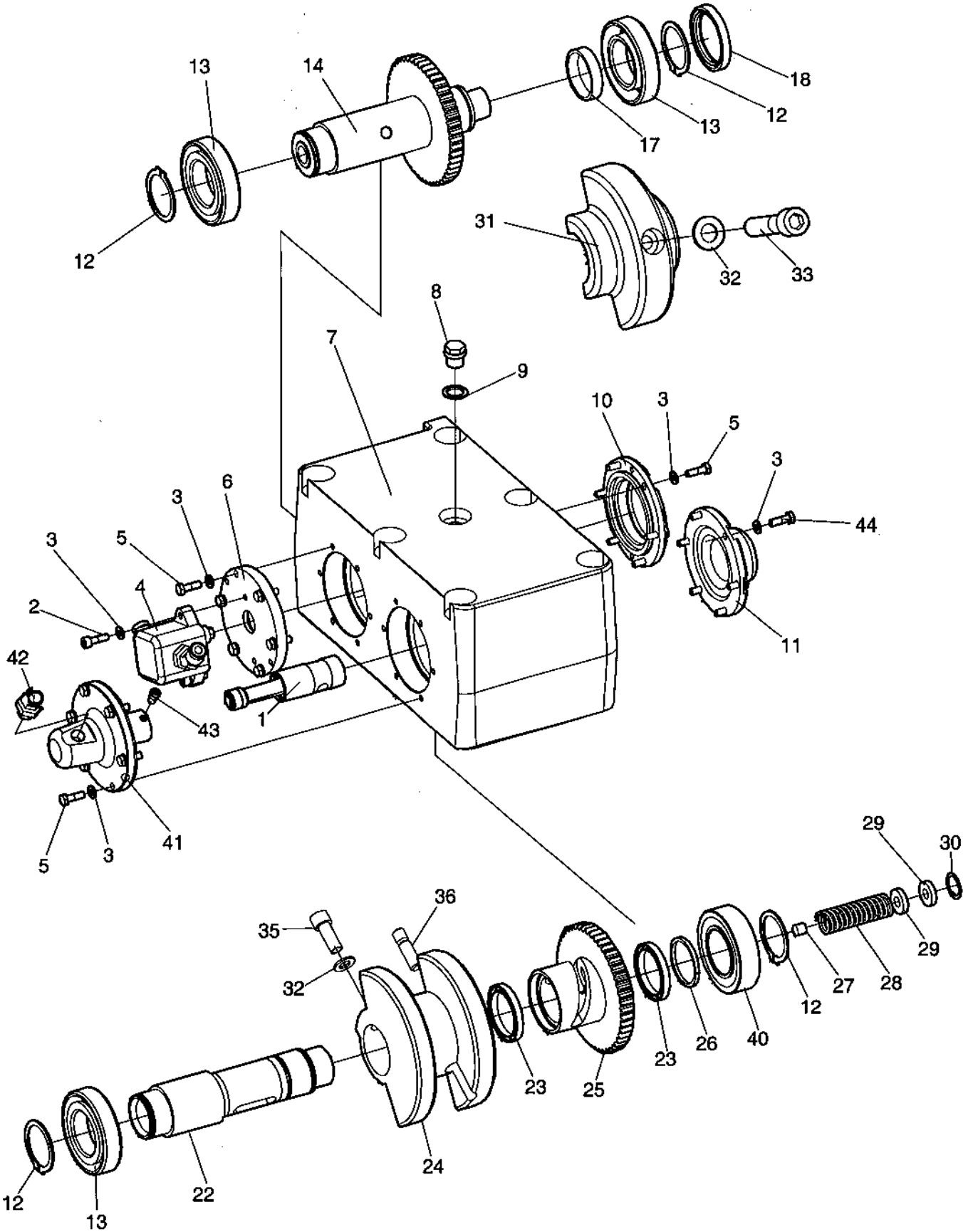
B)

D)



## Eccentric element

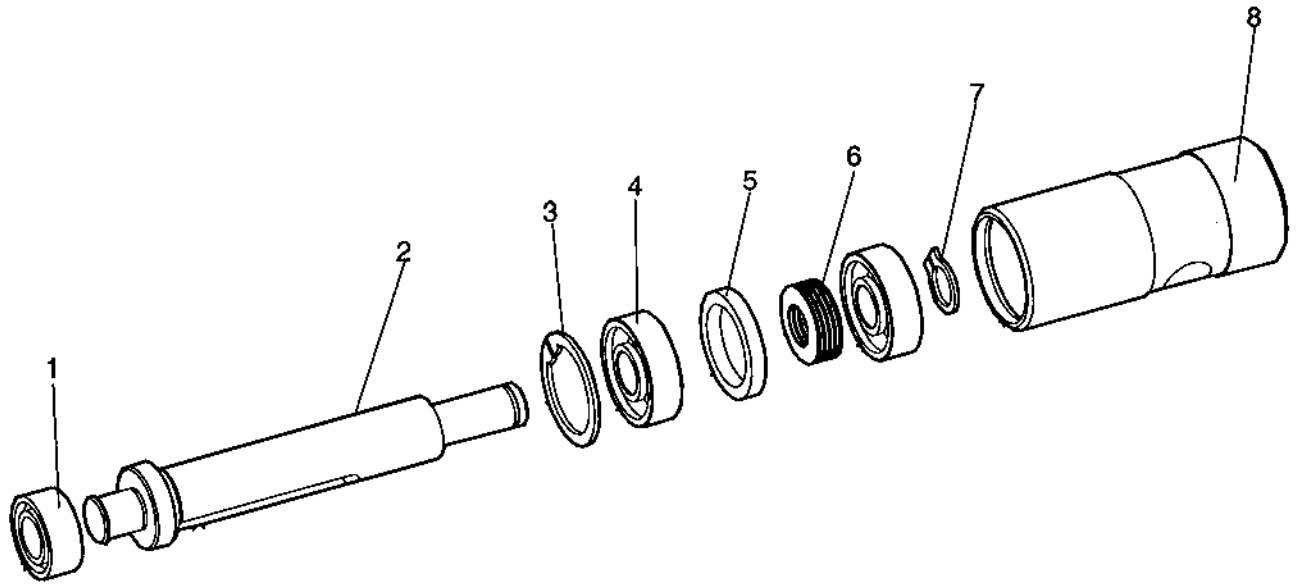
Ref. No.	Part No.	Rem.	Qty	Description	Code
10			1	Eccentric element ( Page 14 )	
30			1	Piston, cpl ( Page 16 )	



**Eccentric element**

Ref. No.	Part No.	Rem.	Qty	Description	Code
			1	Eccentric element, cpl	
1			1	.Piston, cpl ( Page 16 )	
2	508025		2	.Screw	
3	904228		18	.Washer 6,4x12x1,5	
4			1	.Hydraulic pump installation ( Page 44 )	
5	500040		8	.Screw M6-1x20 8,8	
6	379168		1	.Cover	
7	379175		1	.Eccentric housing	
8	232143		1	.Plug	
9	162011		1	.Washer, sealing	D
10	379167		1	.Cover	
11	379165		1	.Cover	
12	150017		4	.Retaining ring	D
13	903363		3	.Ball bearing	D
14	378079		1	.Shaft, cpl	
17	280645		1	.Spacer ring	
18	928794		1	.Sealing ring	D
22	378777		1	.Shaft	
23	929287		2	.Ball bearing	D
24	280669		1	.Eccentric	D
25	390518		1	.Reverser	
26	379016		1	.Ring	
27	928241		1	.Screw	
28	280677		1	.Spring	
29	280648		2	.Washer	
30	151007		1	.Retaining ring	
31	280630		1	.Shaft	
32	904638		2	.Washer 12x22x2	
33	903563		1	.Screw M12-1,75x55 12,9	
35	508031		1	.Screw	
36	280644		1	.Pin	
40	792254		1	.Spherical roller bearing	
41	379166		1	.Cylinder	
42	791537		1	.Straight connector	
43	380155		1	.Screw	
44	500013		9	.Screw M6-1x16 8,8	

D)



## Piston, cpl

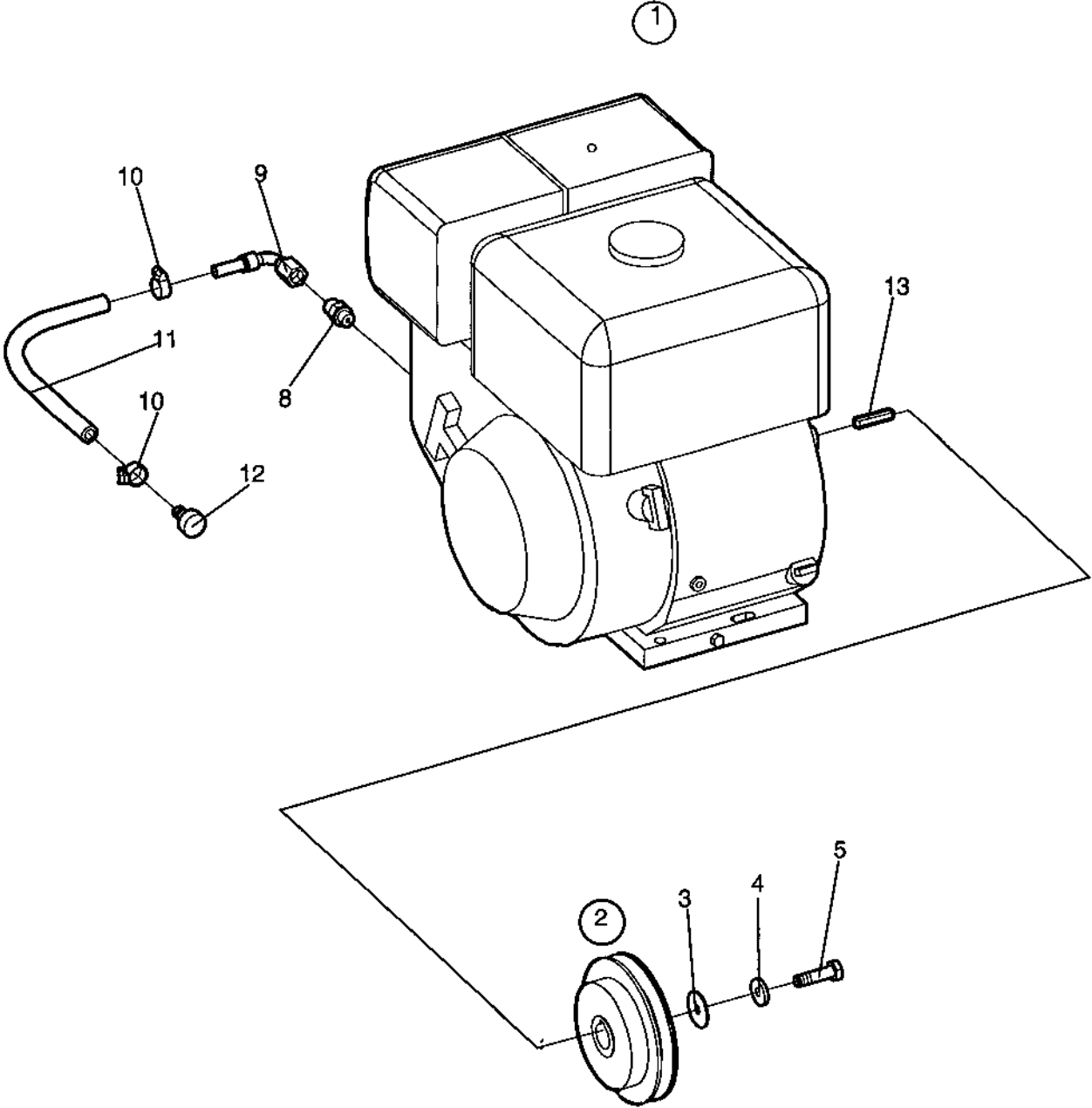
Ref. No.	Part No.	Rem.	Qty	Description	Code
			1	Piston, cpl	
1	281276		1	.Sealing ring	
2	377359		1	.Piston rod	
3	151039		1	.Retaining ring	
4	929286		2	.Ball bearing	D
5	280647		1	.Spacer ring	
6	929291		10	.Cup spring	
7	150002		1	.Retaining ring	
8	280637		1	.Piston	

D)



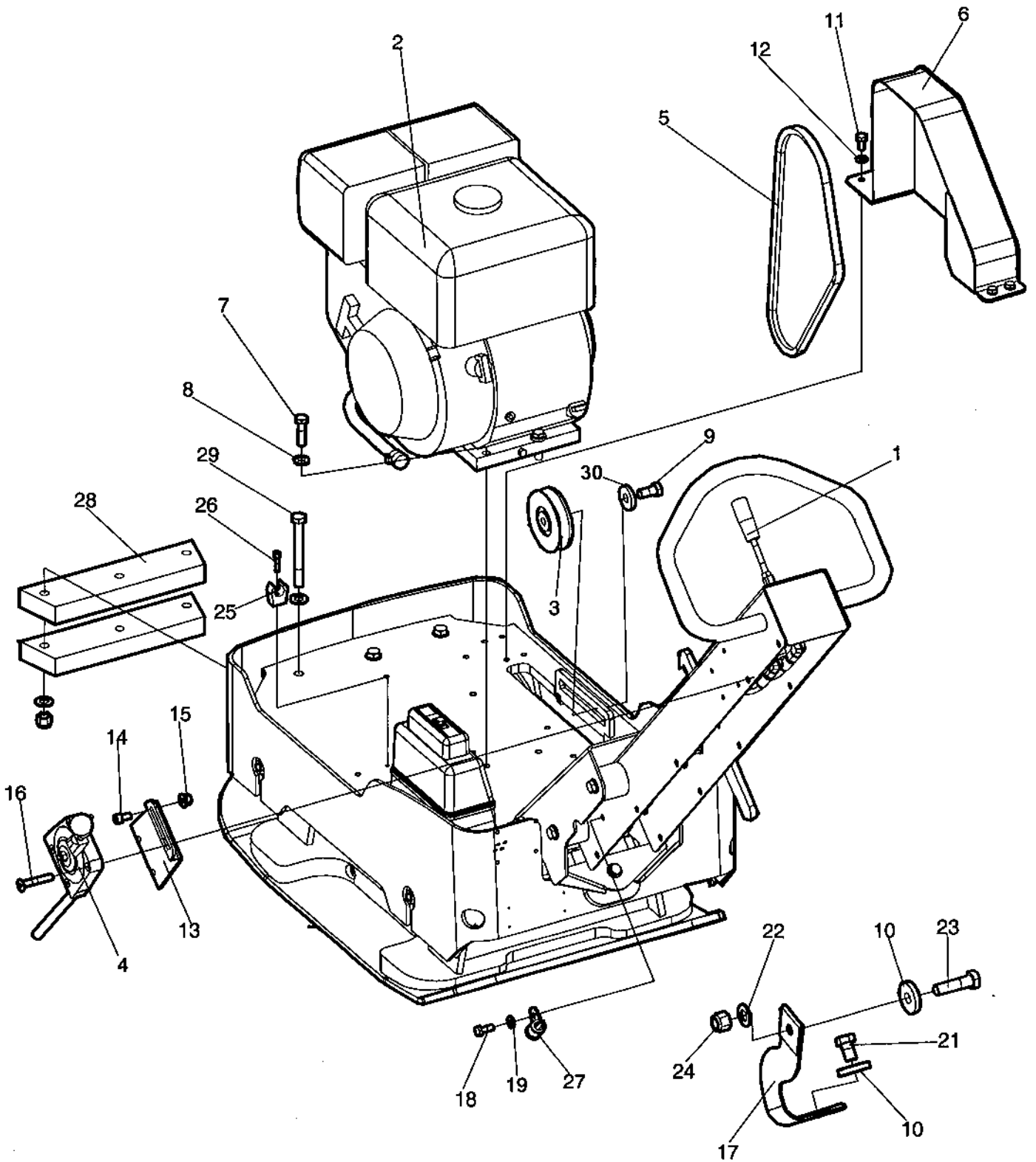
**Engine and engine installation**

<b>Ref. No.</b>	<b>Part No.</b>	<b>Rem.</b>	<b>Qty</b>	<b>Description</b>	<b>Code</b>
10			1	Engine, cpl Honda ( Page 20 )	
20			1	Engine installation Honda ( Page 22 )	
30			1	Engine Honda GX270 ( Page 24 )	
40			1	Engine, cpl Hatz ( Page 26 )	
55			1	Engine installation Hatz.EL ( Page 28 )	
60			1	Engine Hatz 1B30 ( Page 30 )	



## Engine, cpl Honda

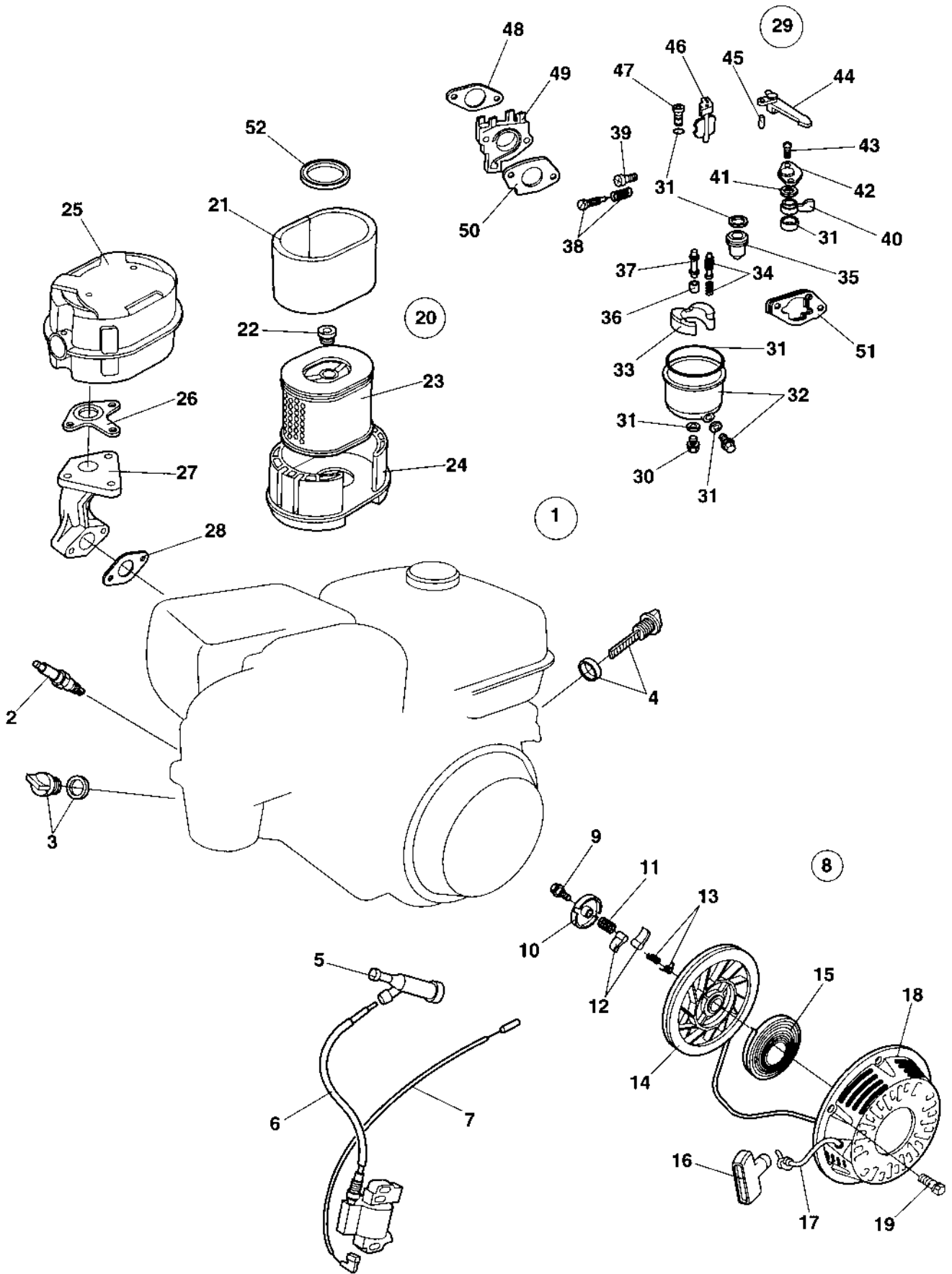
Ref. No.	Part No.	Rem.	Qty	Description	Code
1			1	Engine Honda GX270 ( Page 24 )	
2			1	Clutch Honda ( Page 34 )	
3	615050		1	Washer	
4	904734		1	Washer 8,4x26x4	
5	500022		1	Screw M8-1,25x30 8,8	
8	903268		1	Connector	
9	792099		1	Connector	
10	313001		1	Hose clamp	
11	100901382	1XL		Hose	
12	100504609		1	Plug	
13			1	Key	



**Engine installation Honda**

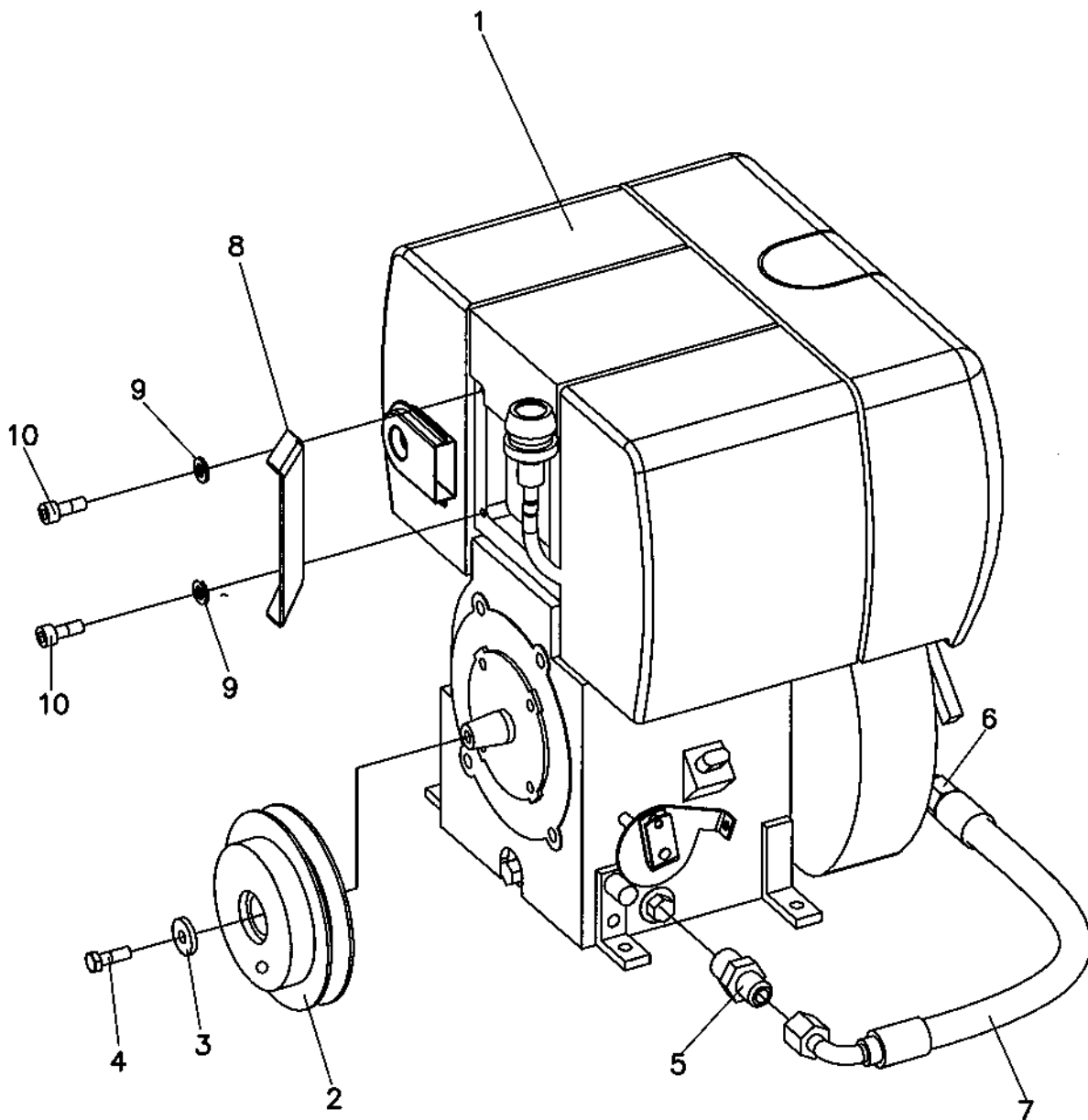
<b>Ref. No.</b>	<b>Part No.</b>	<b>Rem.</b>	<b>Qty</b>	<b>Description</b>	<b>Code</b>
1				Main assy, engine plate and lower part ( Page 6 )	
2				Engine, cpl Honda ( Page 20 )	
3				Belt tightner ( Page 38 )	
4				Throttle control, Honda ( Page 52 )	
5	281258		1	V-belt	B
6	390875-70		1	V-belt cover	
7	500031		4	Screw M10-1,5x40 8,8	
8	904557		4	Washer 10,5x22x4	
9	500046		1	Screw M12x30H 8,8 FZB	
10	924543		4	Washer	
11	500019		4	Screw M8-1,25x16 8.8	
12	904229		4	Washer 8,4x16x1,5	
13	284365		1	Bracket	
14	508001		1	Screw	
15	902285		1	Lock nut M6	
16	904687		4	Screw	
17	283075		1	Strap	
18	500013		1	Screw M6-1x16 8,8	
19	904228		1	Washer 6,4x12x1,5	
21	500035		2	Screw M12x020H	
22	904231		6	Washer 13x24x2	
23	500056		1	Screw M12x45 8,8	
24	586019		4	Lock nut M12	
25	281234		1	Ryw-clips	
26	508023		1	Screw	
27	791341		2	Clamp	
28	377884		2	Weight	
29	500198		3	Screw	
30	904213		1	Washer 13x30x4	

B)

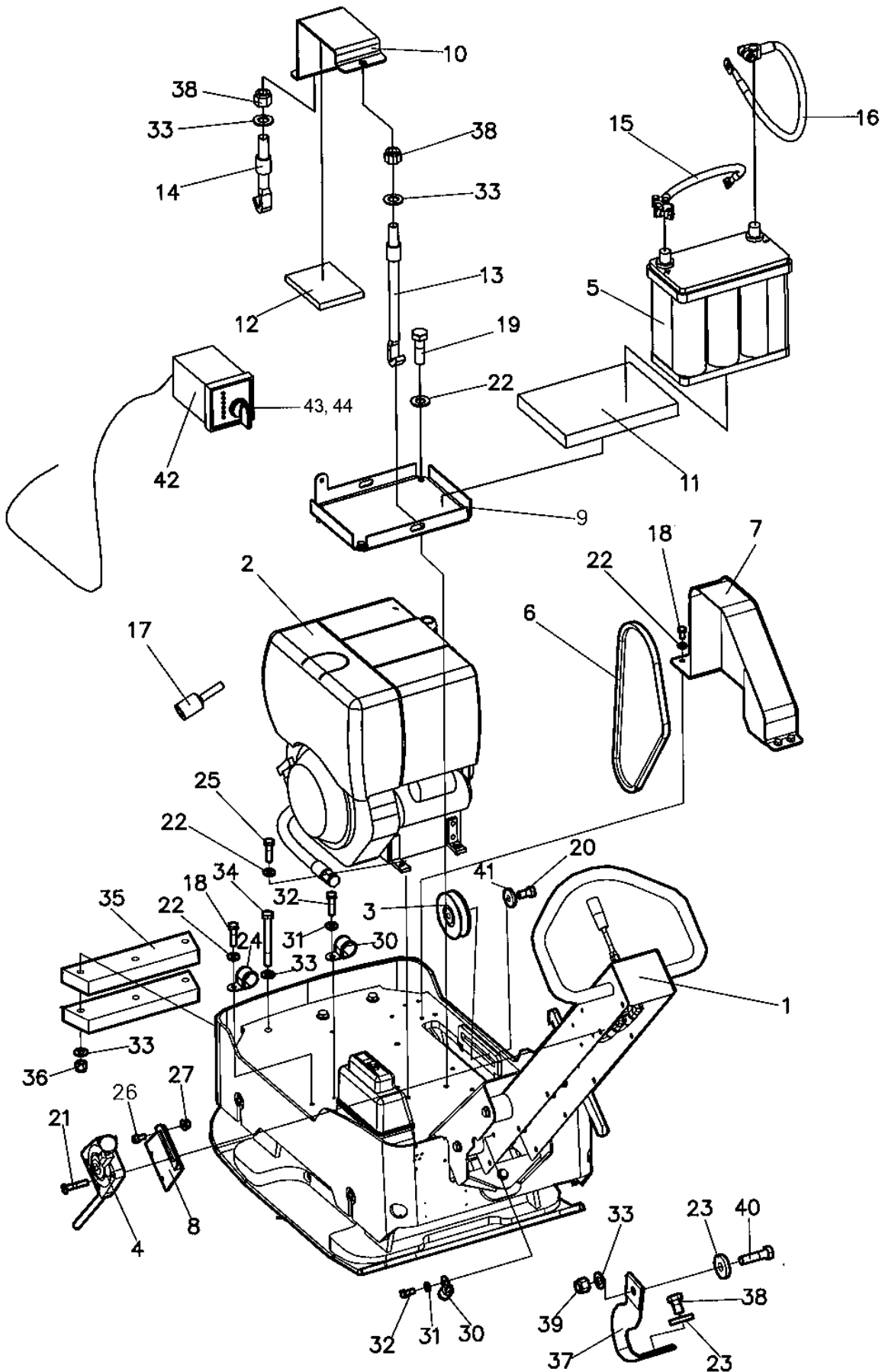


**Engine Honda GX270**

<b>Ref. No.</b>	<b>Part No.</b>	<b>Rem.</b>	<b>Qty</b>	<b>Description</b>	<b>Code</b>
1	284115		1	Engine, cpl Honda GX270	
2	937476		1	.Spark plug	
3	937516		1	.Oil filling plug	
4	937515		1	.Oil dipstick	
5	937513		1	.Noise suppression	
6	937512		1	.Ignition coil	
7	937514		1	.Hose	
8	937460		1	.Recoil starter, cpl	
9	937471		1	..Screw	
10	937467		1	..Guide	
11	937464		1	..Spring	
12	937463		2	..Ratchet	
13	937466		2	..Spring	
14	937462		1	..Reel	
15	937465		1	..Spring	
16	937468		1	..Knob	
17	937469		1	..Rope	
18	937461		1	.Cover	
19	936538		3	.Screw	
20	937499		1	..Air cleaner element	
21	937500		1	..Air filter element	
22	239772		1	..Grommet	
23	937499		1	..Air cleaner element	
24	937501		1	..Holder	
25	937502		1	.Muffler	
26	937609		1	.Gasket	
27	937503		1	.Exhaust pipe	
28	937610		1	.Gasket	
29	937472		1	.Carburettor, cpl.	
30	937479		1	..Screw	
31	937473		1	..Gasket kit	
32	937477		1	..Chamber	
33	937475		1	..Float set	
34	937474		1	..Valves	
35	937493		1	..Cup	
36	937496		1	..Stud	
37	937482		1	..Nozzle	
38	937478		1	..Screw, set	
39	937481		1	..Screw	
40	937489		1	..Lever	
41	937491		1	..Spring	
42	937490		1	..Bracket	
43	937494		2	..Screw	
44	937488		1	..Lever	
45	937495		1	..Pin	
46	937480		1	..Coil	
47	937497		1	..Screw	
48	937487		1	.Gasket	
49	937484		1	.Insulator	
50	937486		1	.Gasket	
51	937485		1	.Spacer	
52	937498		1	.Gasket	



Ref. No.	Part No.	Rem.	Qty	Description	Code
1			1	Engine	
2			1	Clutch	
3	904734		1	Washer 8,4x26x4	
4	500021		1	Screw M8-1,25x25 8,8	
5	903925		1	Connector	
6	232095		1	Plug	
7	482539		1	Hydraulic hose	
8	390560		1	Deflector	
9	904228		2	Washer 6,4x12x1,5	
10	508002		2	Screw	



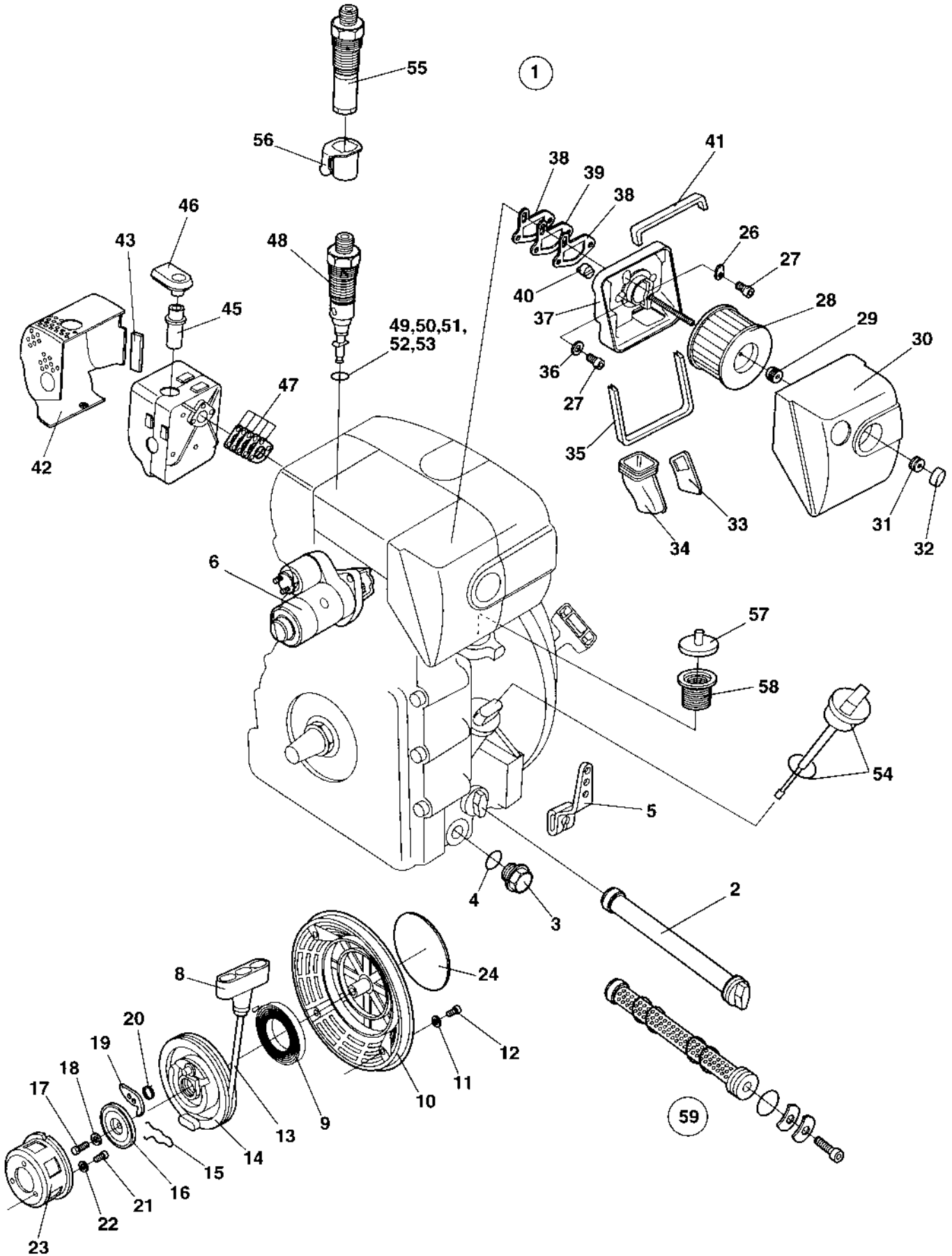
**Engine installation Hatz.EL**

Ref. No.	Part No.	Rem.	Qty	Description	Code
1				Main assy, engine plate and lower part ( Page 6 )	
2				Engine	
3				Belt tightner ( Page 38 )	
4				Throttle control, Hatz ( Page 54 )	
5	378719		1	Battery	B
6	281258		1	V-belt	B
7	390876-70		1	V-belt guard	
8	284365			Bracket	
9	379243		1	Plate	
10	390641		1	Holder	
11	379061		1	Insulation	
12	379062		1	Insulation	
13	390645		1	Screw	
14	390644		1	Screw	
15	792234		1	Battery cable +	
16	791752		1	Battery cable -	
17	284107		1	Nipple	
18	500019		5	Screw M8-1,25x16 8,8	
19	500021		4	Screw M8-1,25x25 8,8	
20	500046		1	Screw M12x30H 8,8 FZB	
21	904687		4	Screw	
22	904229		13	Washer 8,4x16x1,5	
23	924543		4	Washer	
24	921044		1	Clamp	
25	500053		4	Screw M8-1,25x20 8,8	
26	508001		1	Screw	
27	902285		1	Lock nut M6	
30	791341		2	Clamp	
31	904228		2	Washer 6,4x12x1,5	
32	500013		2	Screw M6-1x16 8,8	
33	904231		8	Washer 13x24x2	
34	500198		3	Screw	
35	377884		2	Weight	
36	570007		2	Lock nut M12	
37	283075		2	Strap	
38	500035		2	Screw M12x020H	
39	586019		4	Lock nut M12	
40	500056		1	Screw M12x45 8,8	
41	904213		1	Washer 13x30x4	
42	378071	A	1	Control box	
	378072	B	1	Control box	
43			1	.Key	
44	379028		1	.Dirt shield	

A) Standard version, without hour meter

B) Option, equipped with hour meter

B)



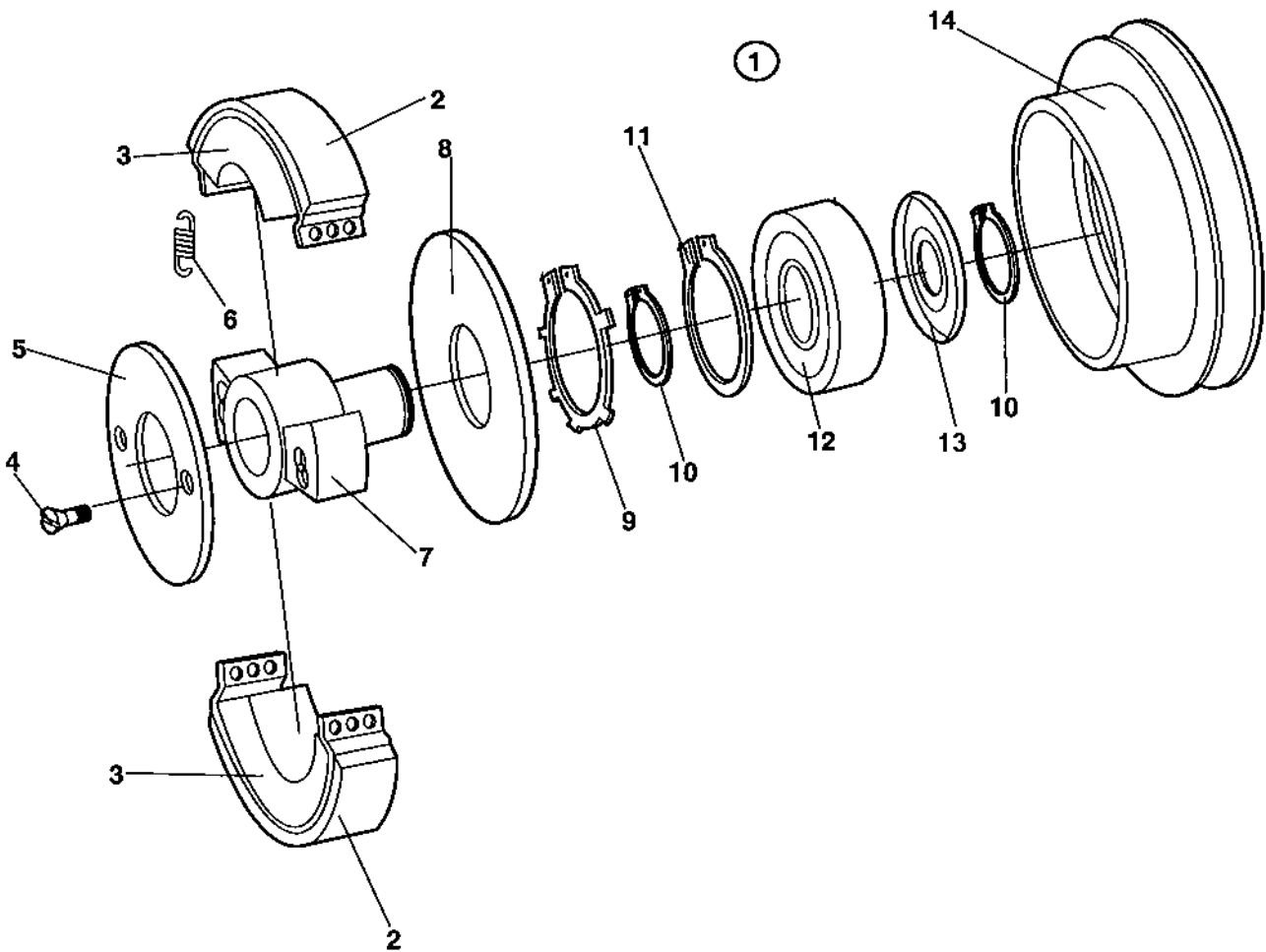
Ref. No.	Part No.	Rem.	Qty	Description	Code
1	377893		1	Diesel engine, electric	
2		C		Not used on this model	
3	937002		1	.Plug	D
4	937003		1	.O-ring	B
5	936975		1	.Speed control	
6	938935		1	.Starter	
7	936982		1	.Recoil starter, cpl	D
8	936983		1	..Knob	B
9	936985		1	..Spiral spring	B
10	936986		1	..Housing	
11	936987		4	..Washer	
12	936988		4	..Screw	
13	936989		1	..Rope	B
14	936990		1	..Reel	
15	936991		1	..Spring	B
16	936992		1	..Friction plate	
17	936993		1	..Screw	
18	936994		1	..Washer	
19	936995		1	..Ratchet	
20	936996		1	..O-ring	
21	936997		3	..Screw	
22	936998		3	..Washer	
23	936999		1	..Starter pulley	
24	937000		1	..Decal	
26	937011		1	.Washer	
27	937012		3	.Screw	
28	937013		1	.Filter element	A
29	937014		1	.Nut	
30	937348		1	.Protecting cover	
31	937016		1	.Rubber sleeve	
32	937017		1	.Nut	
33	937018		1	.Plate	
34	937350		1	.Rubber tube	
35	937020		1	.Edge trim	
36	239517		2	.Washer	
37			1	.Not Sold Separately	
38	937022		2	.Gasket	
39	937023		1	.Gasket	
40	937024		1	.Vent nipple	
41	937347		1	.Edge trim	
42	939220		1	.Protecting cover	
43				Not used on this model	
44	939638		1	.Muffler	
45				Not used on this model	
46	937004		1	.Exhaust pipe	
47	937354		5	.Gasket	
48	937346		1	.Injection pump	
49	936977		1	..O-ring 0,2 mm	
50	936978		1	..O-ring 0,3 mm	
51	936979		1	..O-ring 0,4 mm	
52	936980		1	..O-ring 0,5 mm	
53	936981		1	..O-ring 0,6 mm	
54	937608		1	.Oil dipstick	
55	939519		1	.Nozzle	
56	937606		1	.Sleeve	
57	937604		1	.Lock	
58	937605		1	.Socket	
59	937001		1	.Oil strainer, cpl	
60			1		
61			1		

C) Old version, replaced by item 59



**Power transmission**

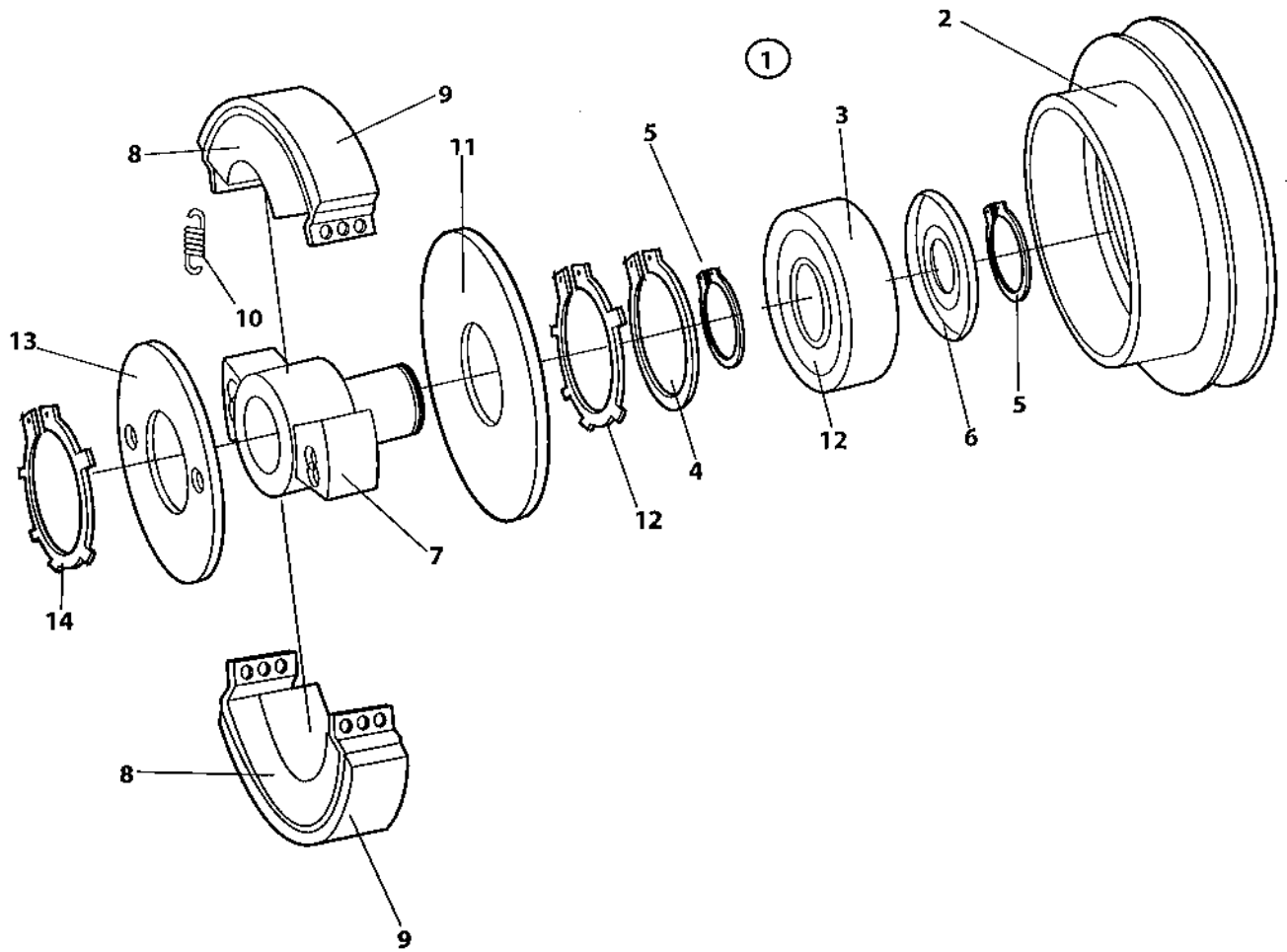
<b>Ref. No.</b>	<b>Part No.</b>	<b>Rem.</b>	<b>Qty</b>	<b>Description</b>	<b>Code</b>
20			1	Clutch Honda ( Page 34 )	
25			1	Clutch Hatz ( Page 36 )	
30			1	Belt tightner ( Page 38 )	



## Clutch Honda

Ref. No.	Part No.	Rem.	Qty	Description	Code
1	377988		1	Clutch, cpl	
2	940513		2	.Clutch lining	
3	100901032		2	.Centrifugal weight	
4	535002		2	.Screw	
5	100901024		1	.Cover	
6	937527		4	.Spring	
7	945111		1	.Hub	
8	239857		1	.Cover	
9	239539		1	.Retaining ring	
10	938726		2	.Snap ring	
11	938725		1	.Retaining ring	
12	938724		1	.Ball bearing	D
13	134036		1	.Nilos ring	
14	945110		1	.V-belt pulley	

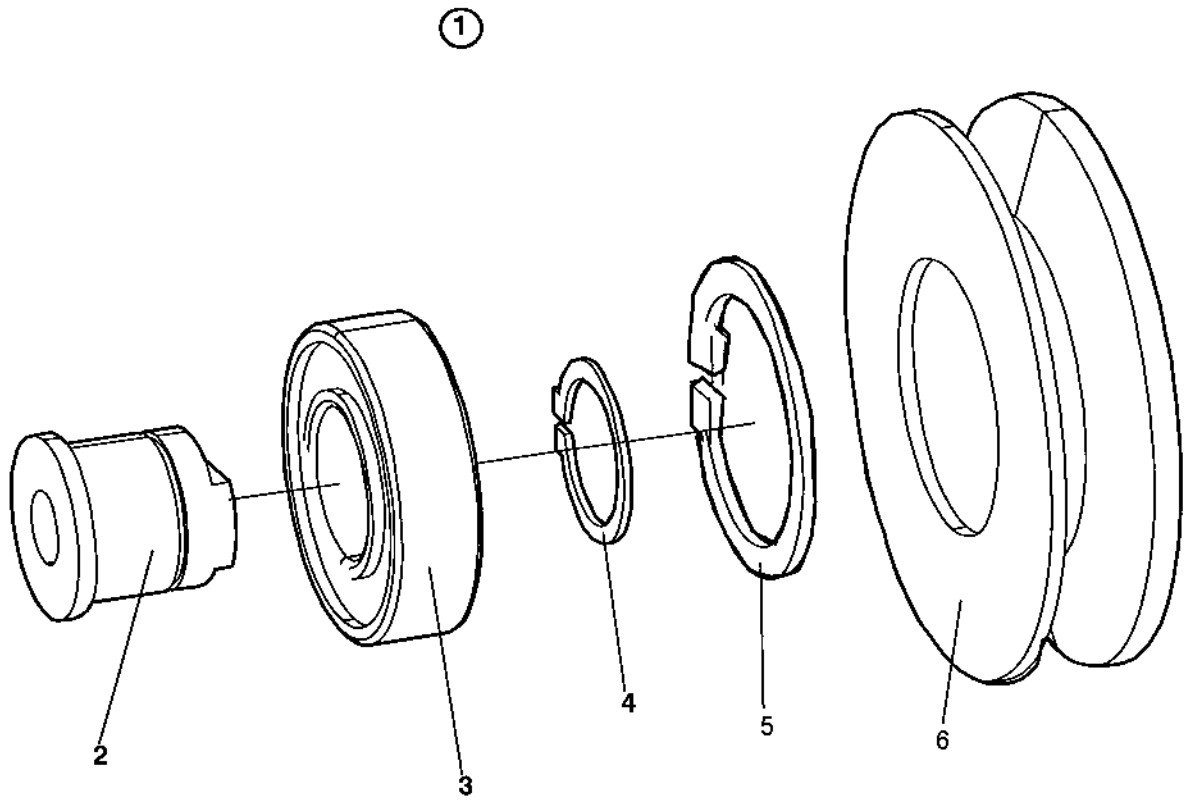
D)



## Clutch Hatz

Ref. No.	Part No.	Rem.	Qty	Description	Code
1	378033		1	Clutch , cpl	
2	937029		1	.V-belt pulley	
3	938724		1	.Ball bearing	D
4	938725		1	.Retaining ring	
5	938726		2	.Snap ring	
6	134036		1	.Nilos ring	
7	937031		1	.Hub	
8	100901032		2	.Centrifugal weight	
9	945260		2	.Clutch lining	
10	937527		4	.Spring	
11	239857		1	.Cover	
12	239539		1	.Retaining ring	
13	239768		1	.Cover	
14	239734		1	.Retaining ring	

D)



**Belt tightner**

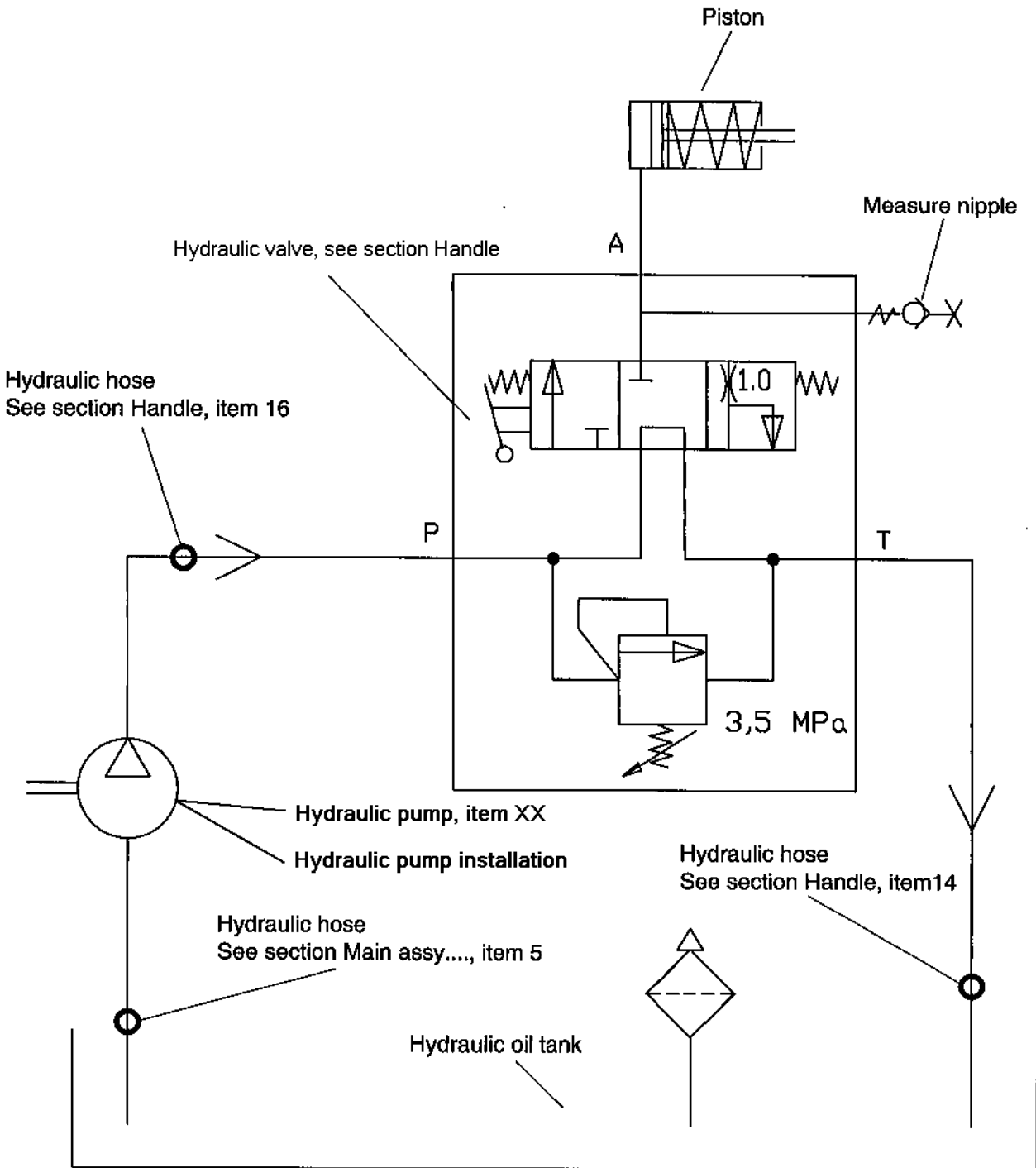
<b>Ref. No.</b>	<b>Part No.</b>	<b>Rem.</b>	<b>Qty</b>	<b>Description</b>	<b>Code</b>
1	280835		1	Idler, cpl	D
2	280837		1	.Shaft	
3	111114		1	.Ball bearing	
4	150009		1	.Snap ring	
5	151017		1	.Snap ring	
6	280836		1	.V-belt pulley	D

D)



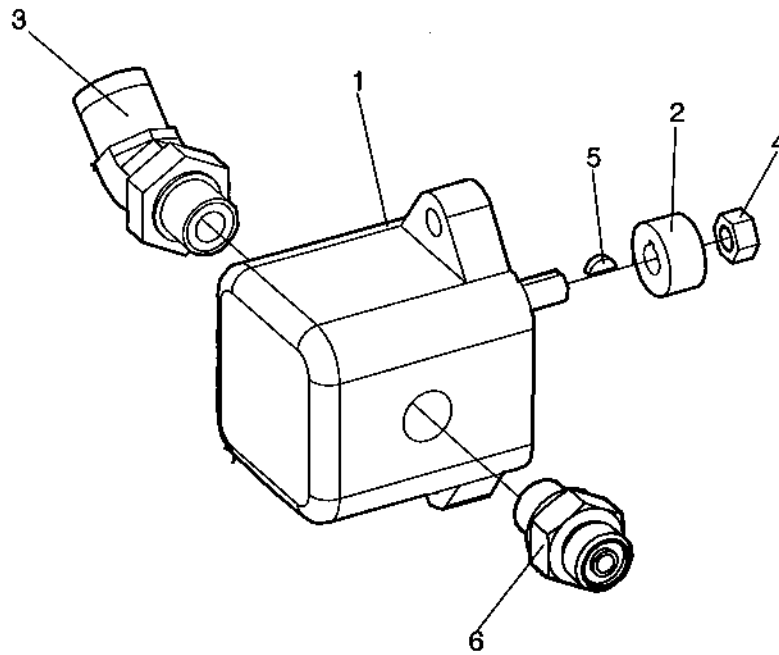
## Hydraulic system

Ref. No.	Part No.	Rem.	Qty	Description	Code
10				Hydraulic diagram ( Page 42 )	
20				Hydraulic pump installation ( Page 44 )	
30				Hydraulic tank ( Page 46 )	



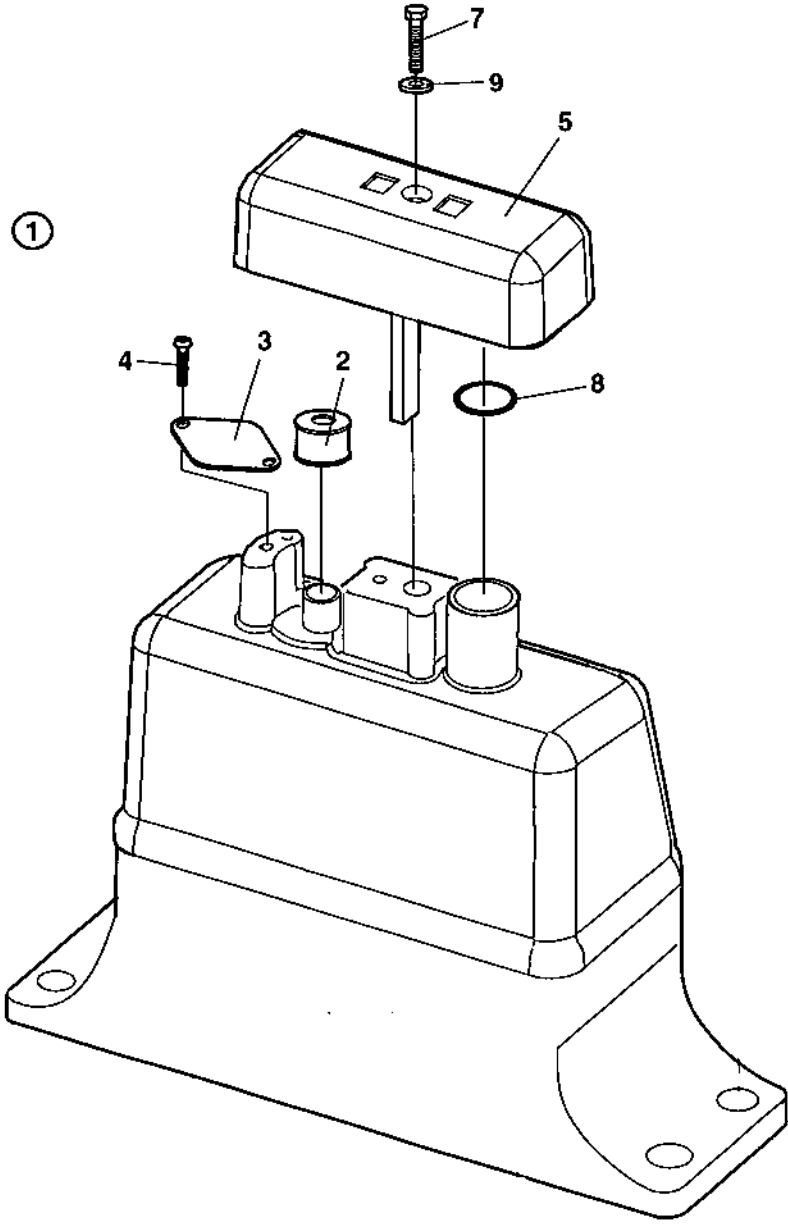
## Hydraulic diagram

Ref. No.	Part No.	Rem.	Qty	Description	Code
1				Piston, cpl ( Page 16 )	
2				Measure nipple	
3				Handle ( Page 50 )	
4				Handle ( Page 50 )	
5				Handle ( Page 50 )	
6				Hydraulic pump installation ( Page 44 )	
7				Eccentric element ( Page 14 )	
8				Handle ( Page 50 )	
9				Hydraulic tank ( Page 46 )	



## Hydraulic pump installation

Ref. No.	Part No.	Rem.	Qty	Description	Code
1	383562		1	Hydraulic pump	
2	928894		1	Sleeve	
3	792253		1	Elbow	
4			1	Nut	
5			1	Key	
6	791537		1	Straight connector	



## Hydraulic tank

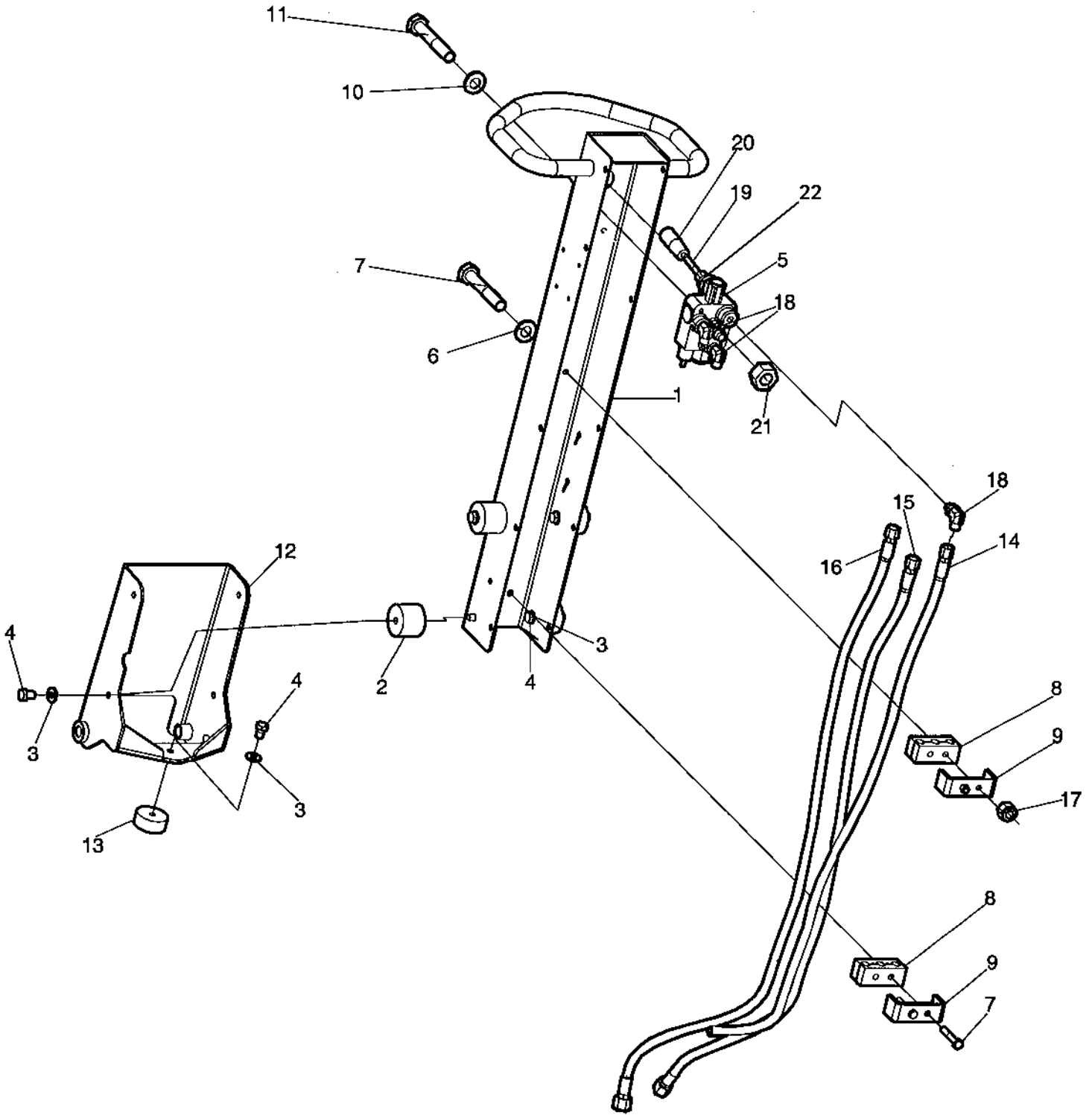
Ref. No.	Part No.	Rem.	Qty	Description	Code
1	376676	A	1	Hydraulic oil tank, CPL	
2	381566		1	.Air filter	
3	381563		1	.Holder	
4	904960		2	.Screw	
5	381385		1	.Cover	
6	383038		1	.Hose coupling	
7	500021		1	.Screw M8-1,25x25 8,8	
8	160110		1	.O-ring	
9	904229		1	.Washer 8,4x16x1,5	

A) Connection parts, see section Main assy, engine plate and lower part



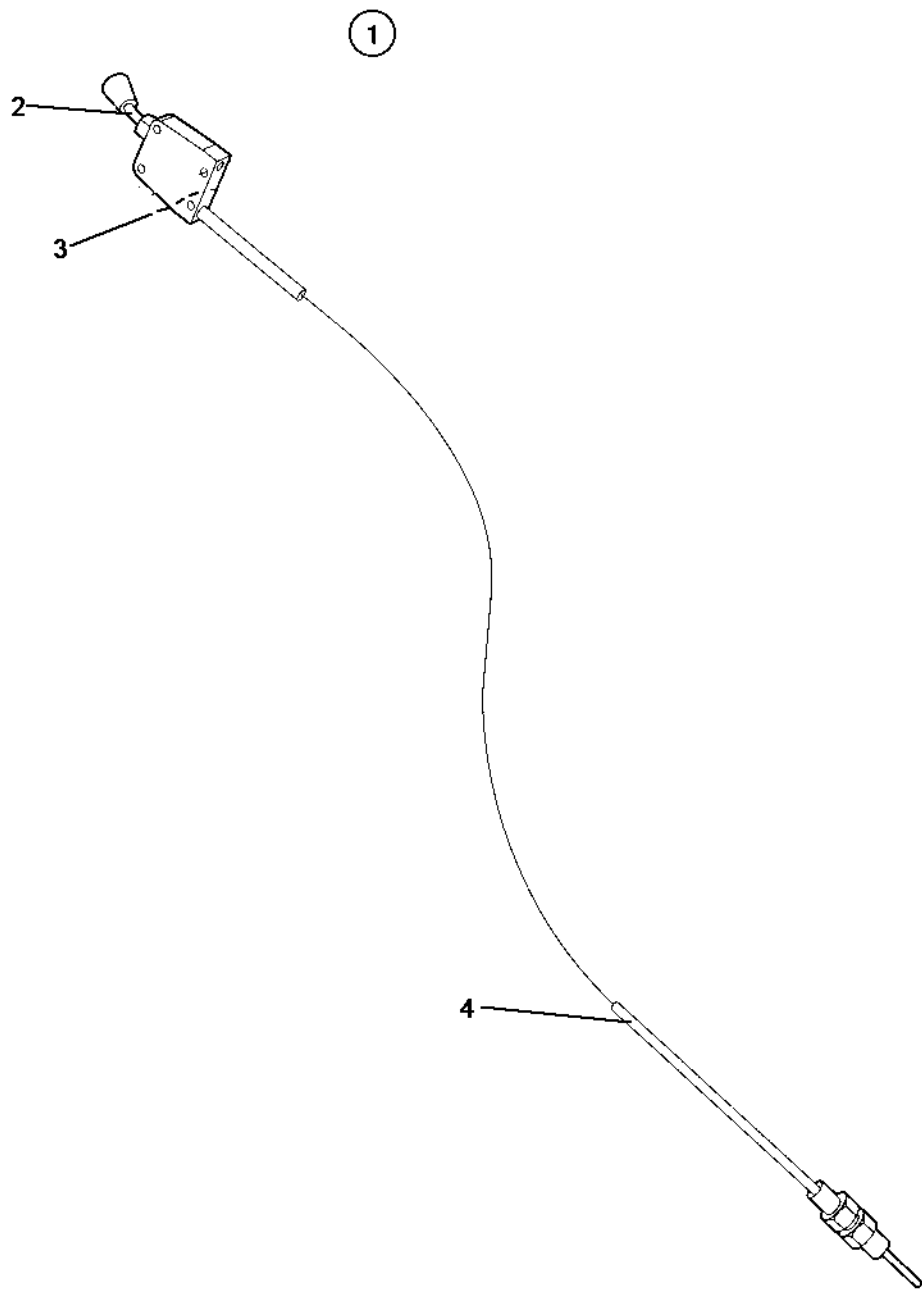
**Handle and throttle control**

<b>Ref. No.</b>	<b>Part No.</b>	<b>Rem. Qty</b>	<b>Description</b>	<b>Code</b>
10			Handle ( Page 50 )	
20			Throttle control, Honda ( Page 52 )	
230			Throttle control, Hatz ( Page 54 )	



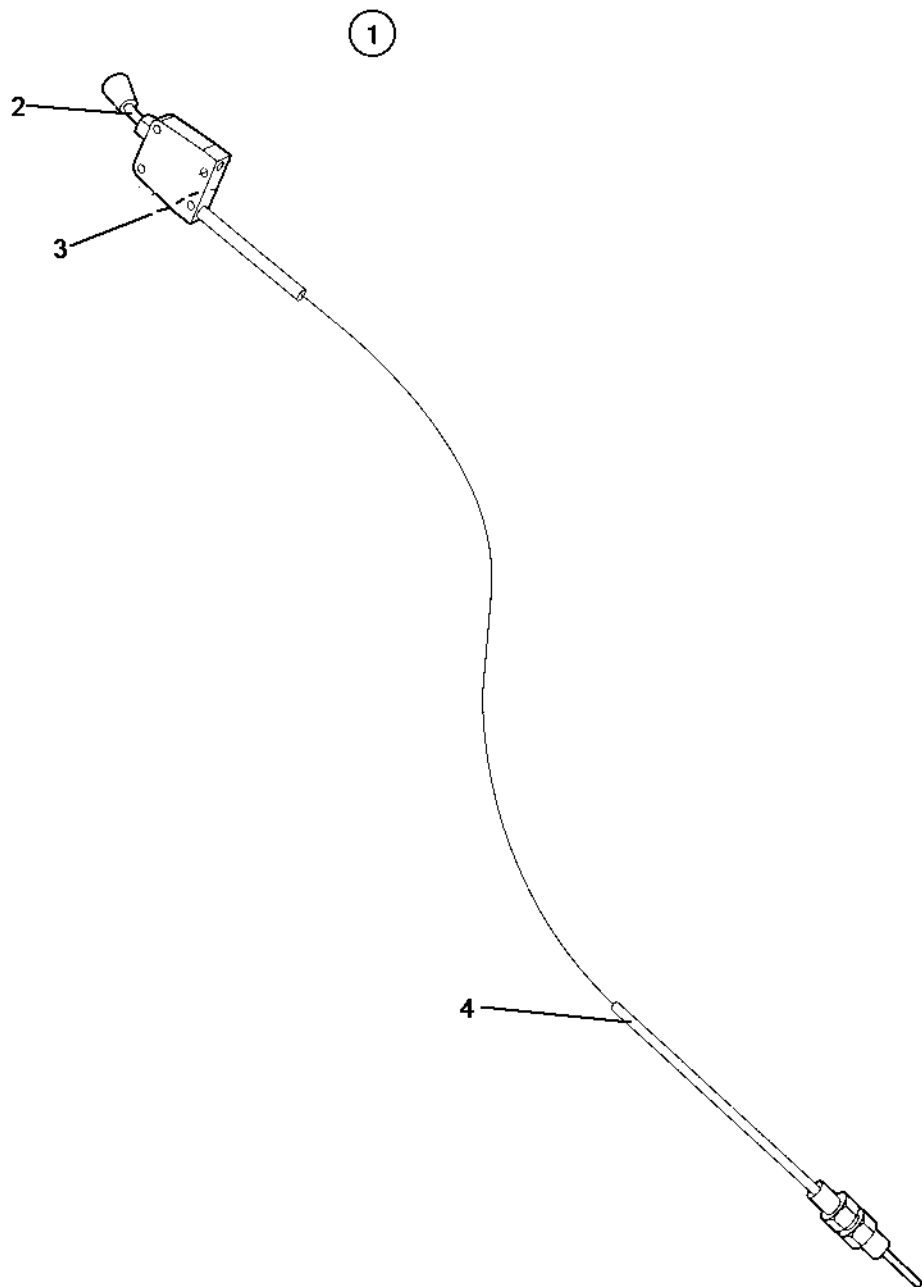
**Handle**

<b>Ref. No.</b>	<b>Part No.</b>	<b>Rem.</b>	<b>Qty</b>	<b>Description</b>	<b>Code</b>
1	378440-71		1	Handle	
2	100900827		4	Shock absorber	
3	904230		9	Washer 10,5x22x2	
4	500043		9	Screw M10x16H 8,8	
5	282993		1	Valve	
	937924		1	Lever housing	
6	904229		1	Washer 8,4x16x1,5	
7	500025		4	Screw M8-1,25x50 8,8	
8	280534		2	Rubber block	
9	100505023		2	Bracket	
10	904228		2	Washer 6,4x12x1,5	
11	500016		2	Screw M6-1,0x55 8,8	
12	378031-71		1	Bracket	
13	791373		1	Shock absorber	
14	379659		1	Hydraulic hose	
15	483899		1	Hydraulic hose	
16	483900		1	Hydraulic hose	
17	586003		2	Lock nut M8	
18	791397		3	Elbow 90, O-ring	
19	390450		1	Rod	
20	903821		1	Grab handle	
21	902285		1	Lock nut M6	
22	570005			Nut M8	



## Throttle control, Honda

Ref. No.	Part No.	Rem.	Qty	Description	Code
1	286452		1	Throttle control, cpl	
2	455019		1	.Throttle handle	
3	238443		1	.Square nipple	
4	286445		1	.Throttle cable	



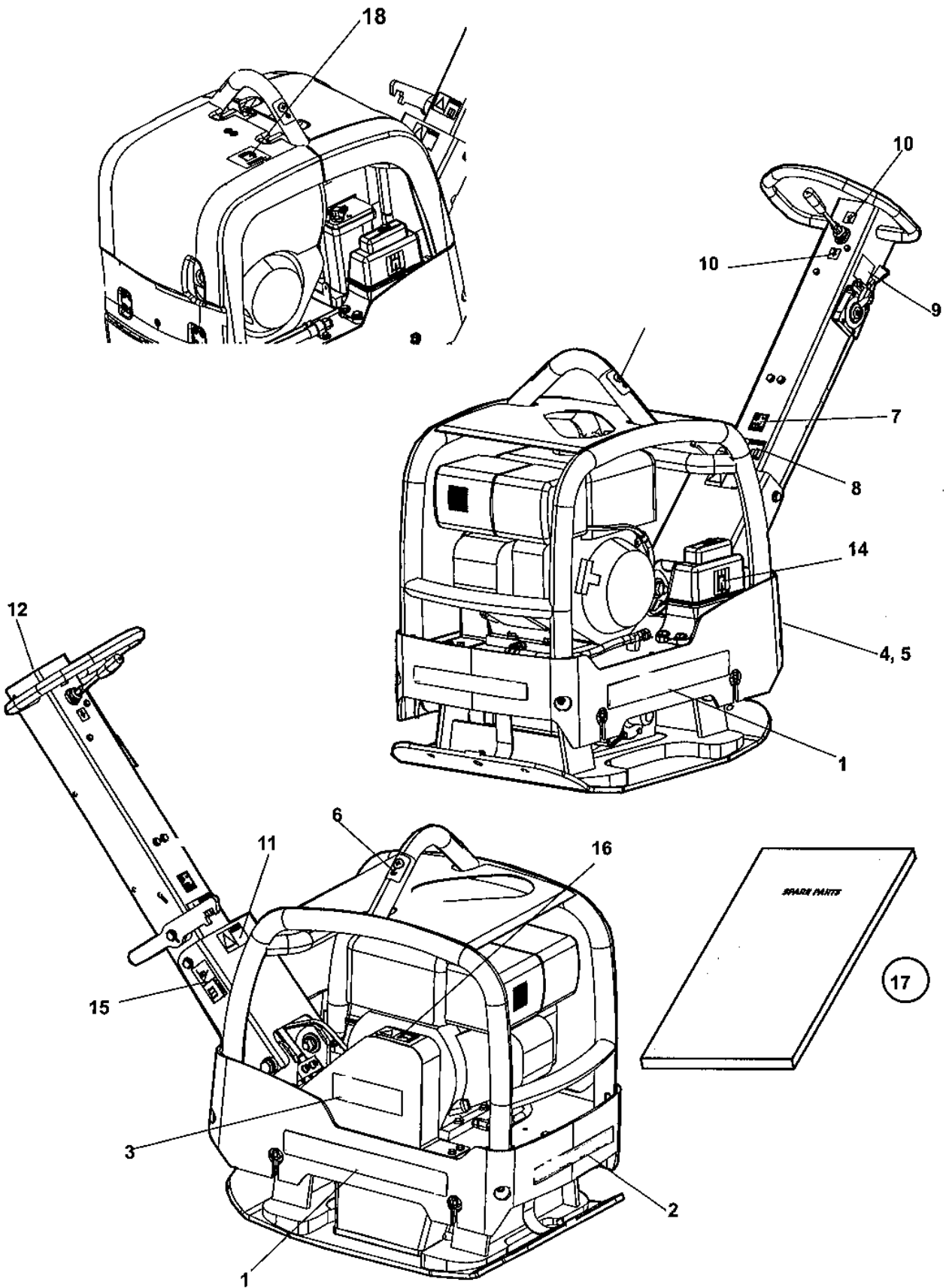
## Throttle control, Hatz

Ref. No.	Part No.	Rem.	Qty	Description	Code
1	379300		1	Throttle control, cpl	
2	455019		1	.Throttle handle	
3	238443		1	.Square nipple	
4	379299		1	.Throttle cable	



## Decals and documentation

Ref. No.	Part No.	Rem.	Qty	Description	Code
10				Decals and documentation ( Page 58 )	



**Decals and documentation**

<b>Ref. No.</b>	<b>Part No.</b>	<b>Rem.</b>	<b>Qty</b>	<b>Description</b>	<b>Code</b>
1	379848		2	Decal "TREMIX"	
2	379847		1	Decal "TREMIX"	
3	379849		1	Decal "MV305"	
	379856		1	Decal "MV320"	
4			1	Identification plate	
5	527002		4	Drive screw	
6	281269		2	Decal "LIFT"	
7	791296		1	Decal "Sound power level"	
8	904680		1	Decal "Read instruction manual"	
9	284285		1	Decal	
10	284278		2	Decal	
11	904785		1	Safety decal	
12	281898		1	Decal, ear protection	
14	272373		1	Decal "HYDRAULIC OIL"	
15	908229		1	Safety decal	
16	903832		1	Safety decal	
17			1	Documentation	
			1	.Spare parts catalogue MV035	
			1	.Instruction book engine	
			1	.Operation and maintenance	
			1	.Warrenty condition	
			1	.Warrenty registration certificate	
			1	.CE declaration	
18	991658	A	1	Decal "FUEL"	

A) Only for Hatz version



Part Number	Page	Part Number	Page	Part Number	Page
100504609	21	377359	17	390875-70	23
100505023	7,51	377624	11	390876-70	29
100900827	51	377884	23,29	391218-72	7
100901024	35	377893	31	391406	9
100901032	35,37	377943	11	391725	9
100901382	21	377988	35	455019	53,55
111114	39	378031-71	51	482539	27
134036	35,37	378033	37	483899	51
150002	17	378048	11	483900	51
150009	39	378071	29	500013	9,15,23
150017	15	378072	29		29
151007	15	378079	15	500016	51
151017	39	378440-71	51	500019	7,23,29
151039	17	378624-03	7	500021	27,29,47
160110	47	378719	29	500022	11,21
162011	15	378756	9	500025	7,51
232095	27	378777	15	500026	9
232143	15	378927	9	500029	7,11
238443	53,55	379004	7	500031	23
239517	31	379016	15	500035	23,29
239539	35,37	379028	29	500040	15
239734	37	379030-71	7	500043	51
239768	37	379045	9	500046	23,29
239772	25	379046	9	500048	7
239857	35,37	379047	9	500053	11,29
272373	59	379061	29	500056	23,29
280534	7,51	379062	29	500198	23,29
280540	11	379165	15	508001	23,29
280630	15	379166	15	508002	27
280637	17	379167	15	508023	23
280644	15	379168	15	508025	15
280645	15	379175	15	508028	11
280647	17	379235	7	508031	15
280648	15	379243	29	508063	7
280654	11	379299	55	527002	59
280669	15	379300	55	535002	35
280677	15	379402	9	570005	51
280750	11	379433	9	570006	7
280835	39	379659	51	570007	7,11,29
280836	39	379847	59	573004	7
280837	39	379848	59	586002	9
281234	23	379849	59	586003	51
281258	23,29	379856	59	586019	23,29
281269	59	380155	15	615050	21
281276	17	381385	47	747541	11
281898	59	381563	47	791296	59
282993	51	381566	47	791341	23,29
283075	23,29	381882	9	791373	51
284107	29	383038	47	791397	51
284115	25	383562	45	791537	15,45
284278	59	385387	7	791752	29
284285	59	390396	11	792099	21
284365	23,29	390450	51	792208	9
286445	53	390485	9	792234	29
286452	53	390487	9	792253	45
313001	21	390495	9	792254	15
313003	7	390497	9	902224	9
313008	7	390518	15	902285	23,29,51
376674	7	390560	27	903268	21
376675	7	390641	29	903363	15
376676	47	390644	29	903563	15
376992-71	7	390645	29	903821	51

**NUMERICAL INDEX**

Part Number	Page	Part Number	Page	Part Number	Page
903832	59	937013	31	937527	35,37
903925	27	937014	31	937604	31
904206	9	937016	31	937605	31
904213	7,23,29	937017	31	937606	31
904228	9,15,23 27,29,51	937018	31	937608	31
904229	7,11,23 29,47,51	937020	31	937609	25
904230	7,51	937022	31	937610	25
904231	11,23,29	937023	31	937924	51
904346	9	937024	31	938724	35,37
904557	23	937029	37	938725	35,37
904638	15	937031	37	938726	35,37
904649	9	937346	31	938935	31
904655	9	937347	31	939220	31
904680	59	937348	31	939519	31
904687	23,29	937350	31	939638	31
904703	11	937354	31	940513	35
904734	21,27	937460	25	945110	35
904785	59	937461	25	945111	35
904960	47	937462	25	945260	37
908229	59	937463	25	947700	7
921044	29	937464	25	991658	59
924543	23,29	937465	25		
928241	15	937466	25		
928794	15	937467	25		
928894	45	937468	25		
929286	17	937469	25		
929287	15	937471	25		
929291	17	937472	25		
929454	11	937473	25		
936538	25	937474	25		
936975	31	937475	25		
936977	31	937476	25		
936978	31	937477	25		
936979	31	937478	25		
936980	31	937479	25		
936981	31	937480	25		
936982	31	937481	25		
936983	31	937482	25		
936985	31	937484	25		
936986	31	937485	25		
936987	31	937486	25		
936988	31	937487	25		
936989	31	937488	25		
936990	31	937489	25		
936991	31	937490	25		
936992	31	937491	25		
936993	31	937493	25		
936994	31	937494	25		
936995	31	937495	25		
936996	31	937496	25		
936997	31	937497	25		
936998	31	937498	25		
936999	31	937499	25		
937000	31	937500	25		
937001	31	937501	25		
937002	31	937502	25		
937003	31	937503	25		
937004	31	937512	25		
937011	31	937513	25		
937012	31	937514	25		
		937515	25		
		937516	25		