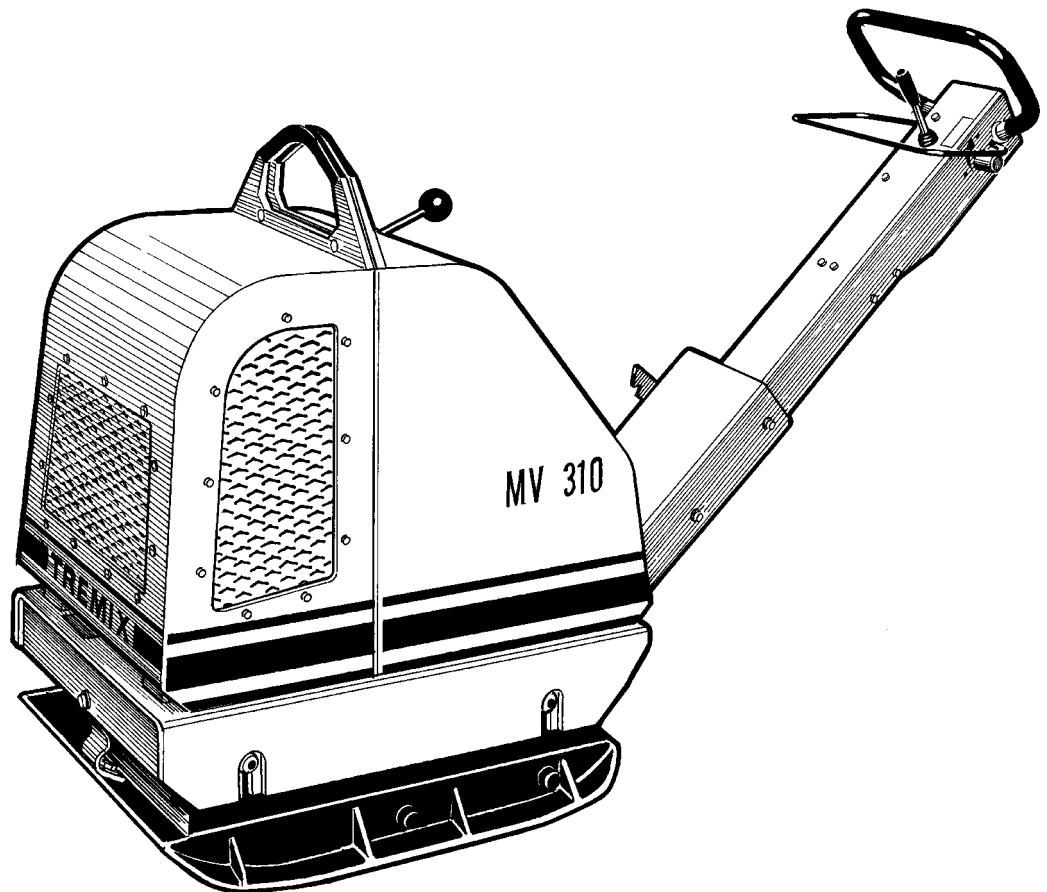


**TREMIX**  
**Forward and reverse**  
**soil compactor**  
**MV 310**  
**SPARE PARTS**  
**CATALOGUE**  
**SMV310 -1EN1**



**TREMIX®**

Metso Construction Equipment AB  
Stensåtravägen 9, Box226  
SE- 127 24 Skärholmen, Sweden  
Tel: +46 8 603 32 00    Telefax: +46 8 646 72 61



## Forward and reverse soil compactor MV 310

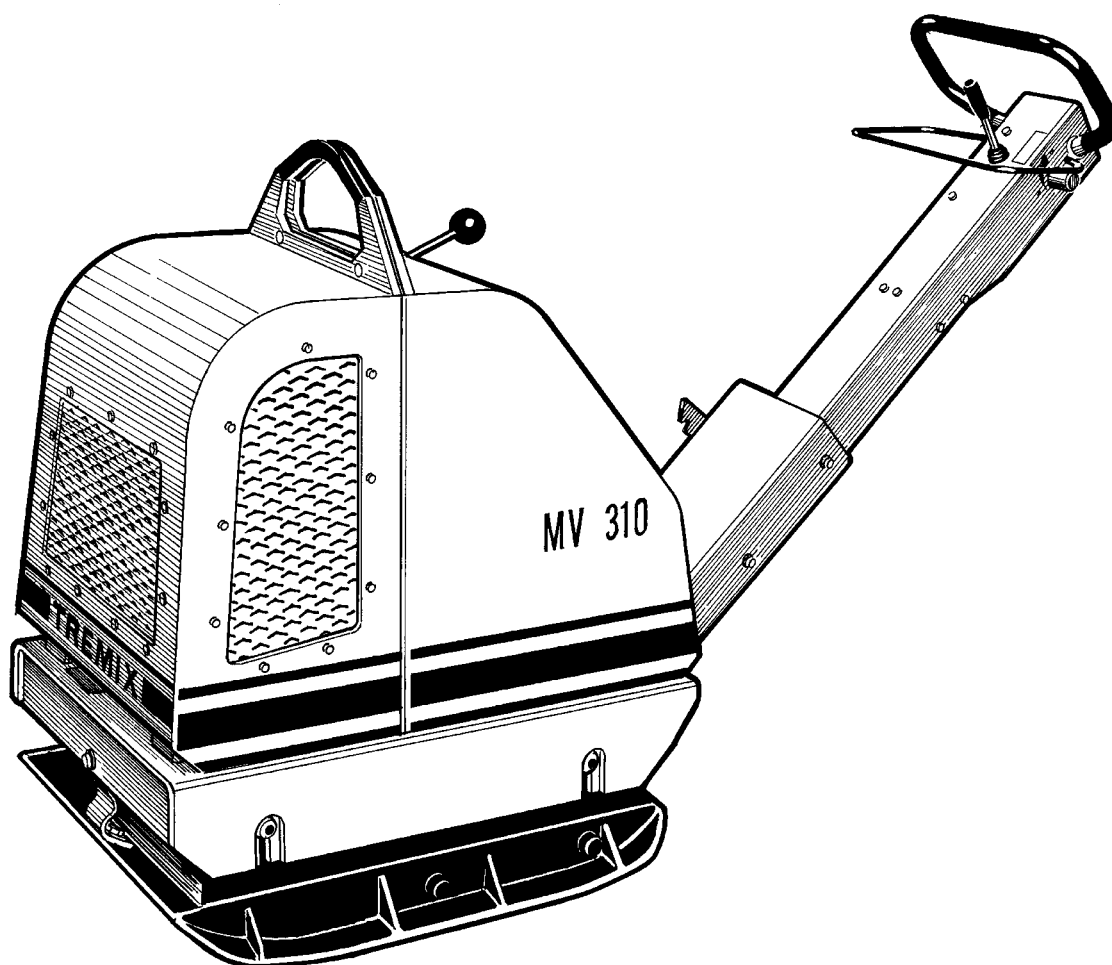
### Spare Parts Catalogue SMV310 -1EN1

*Engines:*

*Yanmar L70A-DEF*

*Published catalogue issues valid for these plate compactors:*

<i>Catalogue</i>	<i>Issue date</i>
<i>SMV310-1EN1</i>	<i>2001-12</i>



## RESERVDLSBESTÄLLNING

Följande uppgifter ska lämnas vid beställning av reservdelar för att undvika leveransfel:

1. Maskintyp.
2. Vältensserienummer.
3. Antal av önskad reservdel.
4. Reserdelens artikelnummer.
5. Reservdelens benämning.
6. Måttuppgifter vid beställning av metervara.

## ERSATZTEILBESTELLUNG

Zur Vermeidung von Fehllieferungen sind bei der Bestellung von Ersatzteilen folgende Angaben zu machen:

1. Maschinentyp.
2. Herstellungsnummer.
3. Bestellmenge. (Quantity)
4. Ersatzteilnummer. (Part N<sup>o</sup>)
5. Ersatzteilbenennung. (Denomination)
6. Massangaben bei Bestellung von Meterware.

## PEDIDO DE RECAMBIOS

Para evitar errores en las entregas, deberán indicarse los siguientes datos al hacer un pedido de recambios:

1. Tipo de máquina.
2. Número de serie.
3. Cantidad de piezas deseadas. (Quantity)
4. Número de artículo de la pieza de recambio. (Part N<sup>o</sup>)
5. Denominación de la pieza. (Denomination)
6. Indíquese la medida al solicitar un artículo que se expide por metros.

## ORDERING SPARE PARTS

To avoid errors in delivery, please give the following information when ordering spare parts:

1. Type of machine.
2. Roller serial number.
3. Quantity required.
4. Part number.
5. Parts denomination.
6. Dimensions when ordering per length.

## ORDINI DI RICAMBI

Per evitare errori nelle consegne di ricambi, Vi preghiamo di comunicarci le seguenti informazioni al momento dell'ordinazione:

1. Tipo di macchina.
2. Numero di serie della macchina.
3. Quantità dei pezzi desiderati. (Quantity)
4. Numero di codice del pezzo. (Part N<sup>o</sup>)
5. Descrizione del pezzo di ricambio. (Denomination)
6. Misura, in caso di ordine per metro.

## COMMANDE DE PIÈCES DE RECHANGE

Les indications suivantes doivent être fournies lors de la commande de pièces de rechange, afin d'éviter toute erreur de livraison:

1. Type de machine.
2. Numéro de série.
3. Quantité désirée de pièce de rechange. (Quantity)
4. Numéro de la pièce de rechange. (Part N<sup>o</sup>)
5. Dénomination de la pièce de rechange. (Denomination)
6. Longueur en cas de commande au mètre.

**YOUR AGENT/DEALER:**





## PÄRMETIKETT

För att undvika fel vid reservdelsbeställning finns här nedan två etiketter som passar i fickorna på pärmarnas ryggar. På dessa kan man se från vilket vältnummer av aktuell maskin reservdelskatalogen gäller. Gör så här:

1. Tag denna sida ur pärmern.
2. Klipp ut etiketten till VÄNSTER (1) och sätt in den i fickan på DENNA pärmens rygg.
3. Finns det en etikett till HÖGER (2), kan denna användas på pärmern för FÖREGÅENDE utgåva av denna katalog.
4. Kasta detta papper.

## KATALOG-BESCHRIFTUNG

Zur Vermeidung von Fehlern bei der Ersatzteilbestellung benutzen Sie bitte die unteren Beschriftungen, um die Kataloge auf der Rückseite zu kennzeichnen. Auf der Beschriftung ist angegeben, für welche Maschinennummern der jeweilige Katalog gültig ist. Ablauf:

1. Nehmen Sie dieses Blatt aus dem Katalog.
2. Schneiden Sie die LINKE Beschriftung (1) aus. Schieben Sie die Beschriftung in die tasche auf DEM Katalogrücke.
3. Sollte die Beschriftung unten RECHTS (2) mitgeliefert werden, kennzeichnen Sie damit bitte die ÄLTERE Ausführung dieses Kataloges.
4. Den Rest dieses Blattes bitte vernichten.

## ETIQUETA PARA LA CARPETA

Para evitar errores al pedir repuestos utilicen las etiquetas abajo descritas para identificar los catálogos en la parte trasera de la carpeta. En la etiqueta se ven los números de referencia de la serie para la cual es válido el catálogo. Instrucciones:

1. Quitar esta página de la carpeta.
2. Corta la etiqueta IZQUIERDA (1) y ponerla en la parte trasera de la carpeta.
3. Si hay una etiqueta en la parte DERECHA (2) se puede utilizar en la carpeta para el catálogo que PRECEDE a esta.
4. Tirar esta hoja.

## BINDER LABEL

To avoid errors when ordering spare parts use the labels below to identify the catalogues on the back of the binder. The label contain the serial number range for which the catalogue is valid. Do like this:

1. Remove this page from the binder.
2. Cut out the LEFT label (1) and put it on THIS binders back.
3. If there is a label to the RIGHT (2), it can be used on the binder for PRECEDING issue of this catalogue.
4. Throw away this paper.

## ETICHETTA POSTA SUL RACCOGLITORE

Per evitare errori quando ordinate pezzi di ricambio, usate le etichette in calce che servono ad identificare i cataloghi sul retro del raccoglitore. L'etichetta indica il numero di matricola delle macchine prese in considerazione nel catalogo.

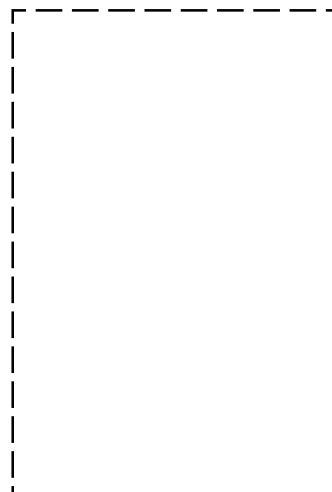
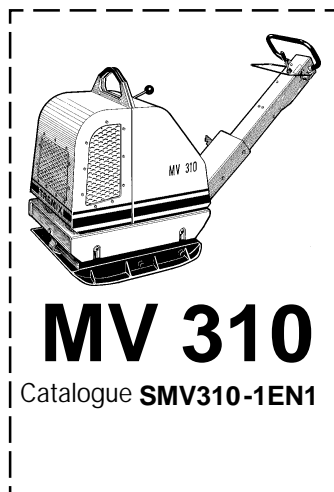
1. Rimuovete questa pagina dal raccoglitore.
2. Ritagliate l'etichetta posta a SINISTRA (1) e ponetela sul retro DEL raccoglitore.
3. Se trovate anche un'etichetta sulla DESTRA (2), ritagliatela e ponetela sul raccoglitore relativo alla PRECEDENTE edizione del catalogo.
4. Distruggete questo foglio.

## ETIQUETAGE DU CATALOGUE

Afin d'éviter des erreurs lors de commandes de pièces de rechange, nous vous conseillons d'apposer les marquages ci-dessous à l'arrière du classeur, pour identifier les catalogues. Ce marquage indique les numéros de série pour lesquels le catalogue est adapté. Il convient de procéder de la façon suivante:

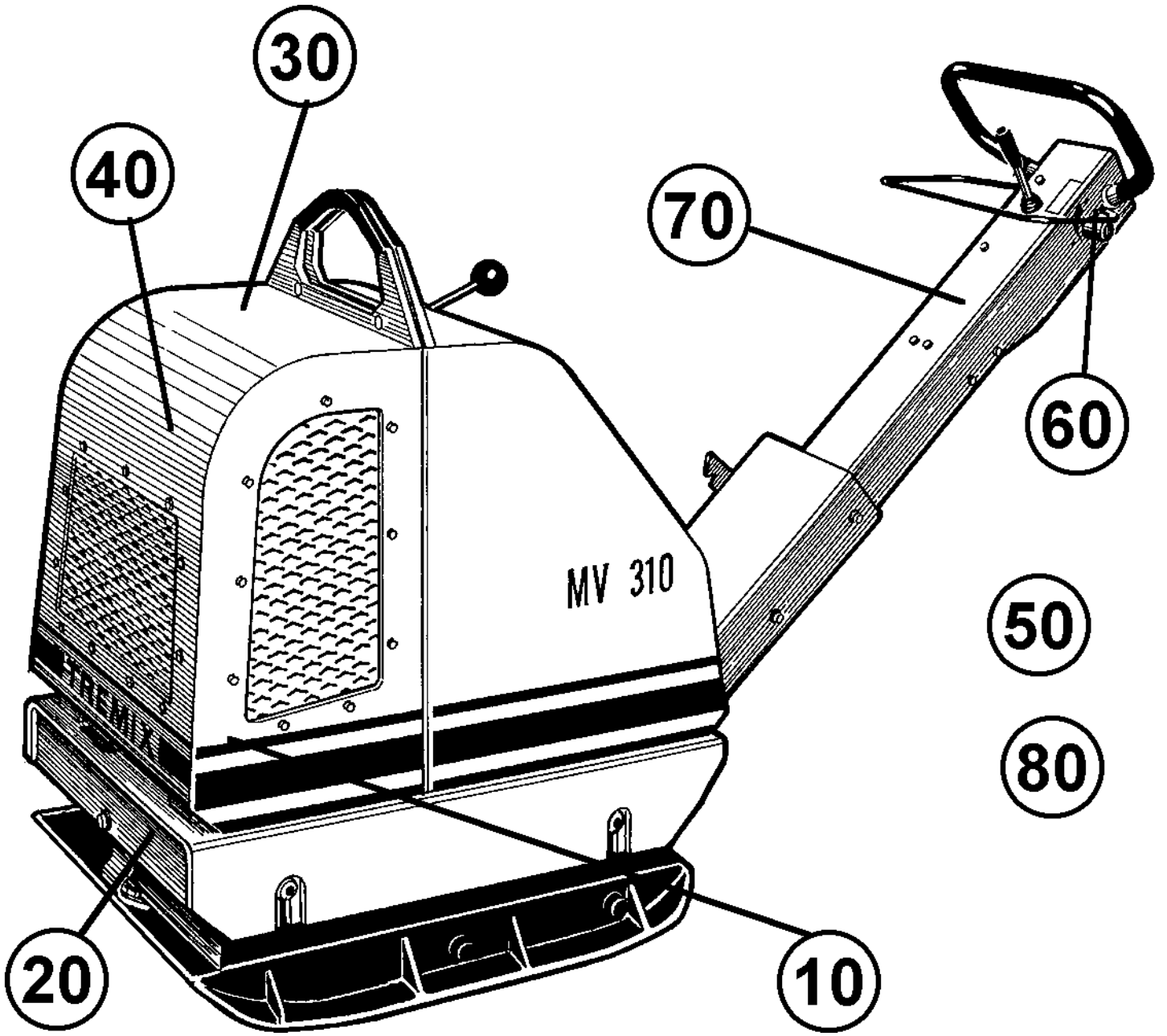
1. Retirez cette page du classeur.
2. Découpez l'étiquette de GAUCHE (1), et apposez-la à l'arrière de CE catalogue.
3. Si il y a une étiquette à DROITE (2), vous pourrez l'apposer sur le classeur de l'édition PRECEDENTE du catalogue.
4. Détruire cette feuille.

1.





<b>MV 310</b> .....	<b>2</b>
<b>Ground plate, engine plate</b> .....	<b>4</b>
Ground plate, engine plate .....	6
Hood .....	8
<b>Eccentric element</b> .....	<b>10</b>
Eccentric element .....	12
<b>Engine</b> .....	<b>16</b>
Engine Yanmar L70AE-DEF .....	18
Engine installation .....	20
<b>Transmission</b> .....	<b>22</b>
Transmission .....	24
<b>Hydraulic system</b> .....	<b>26</b>
Hydraulic system Up to SN 83100498 .....	28
Hydraulic system From SN 83100499 .....	30
Hydraulic tank From SN 83100499 .....	32
<b>Electric equipment</b> .....	<b>34</b>
Electric equipment .....	36
<b>Handle</b> .....	<b>38</b>
Handle .....	40
Option, dead man handle .....	42
<b>Decals and documentation</b> .....	<b>44</b>
Decals and documentation .....	46



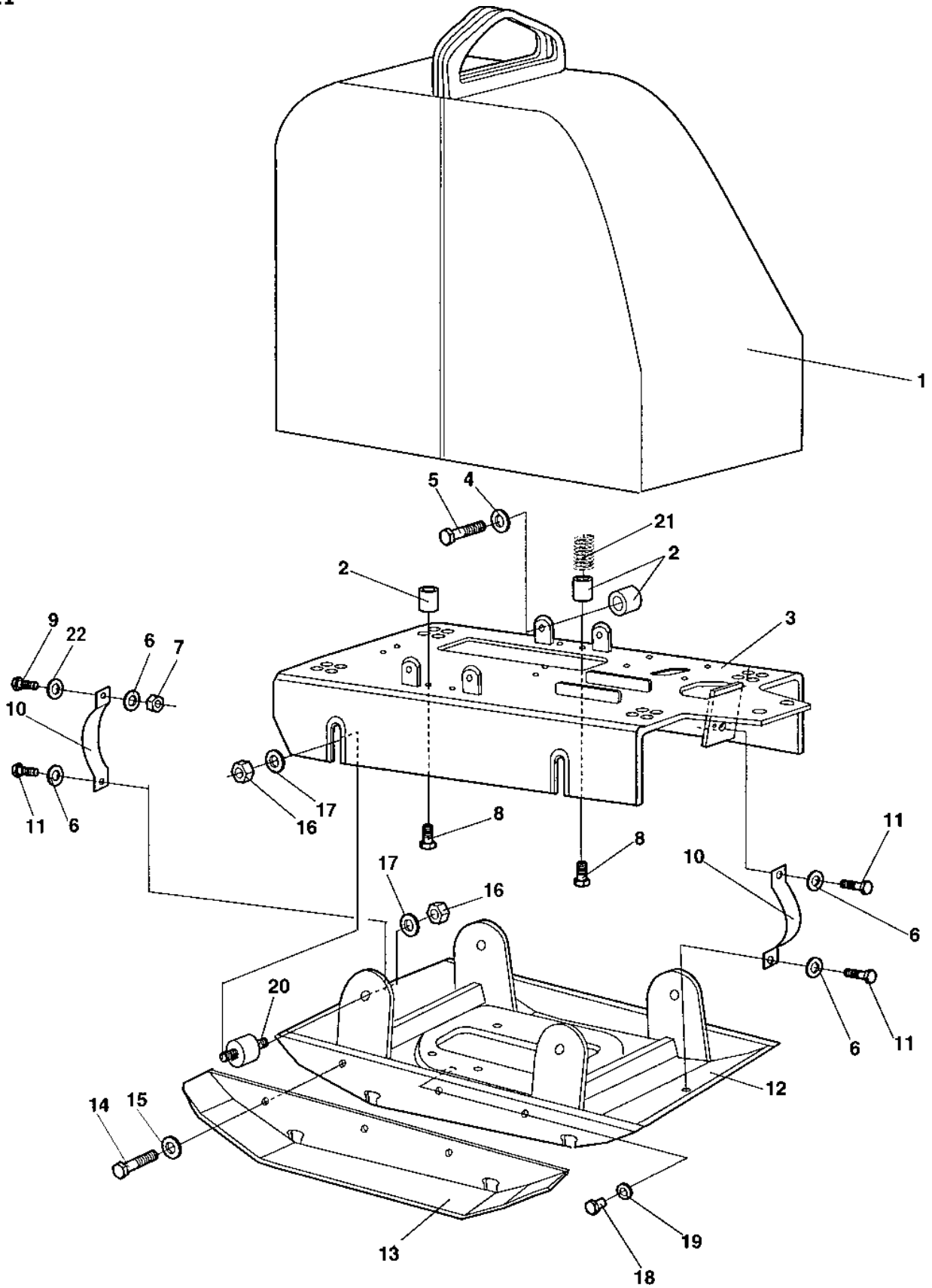
<b>Ref. No.</b>	<b>Part No.</b>	<b>Rem.</b>	<b>Qty</b>	<b>Description</b>	<b>Code</b>
10				Ground plate, engine plate ( Page 4 )	
20				Eccentric element ( Page 10 )	
30				Engine ( Page 16 )	
40				Transmission ( Page 22 )	
50				Hydraulic system ( Page 26 )	
60				Electric equipment ( Page 34 )	
70				Handle ( Page 38 )	
80				Decals and documentation ( Page 44 )	





**Ground plate, engine plate**

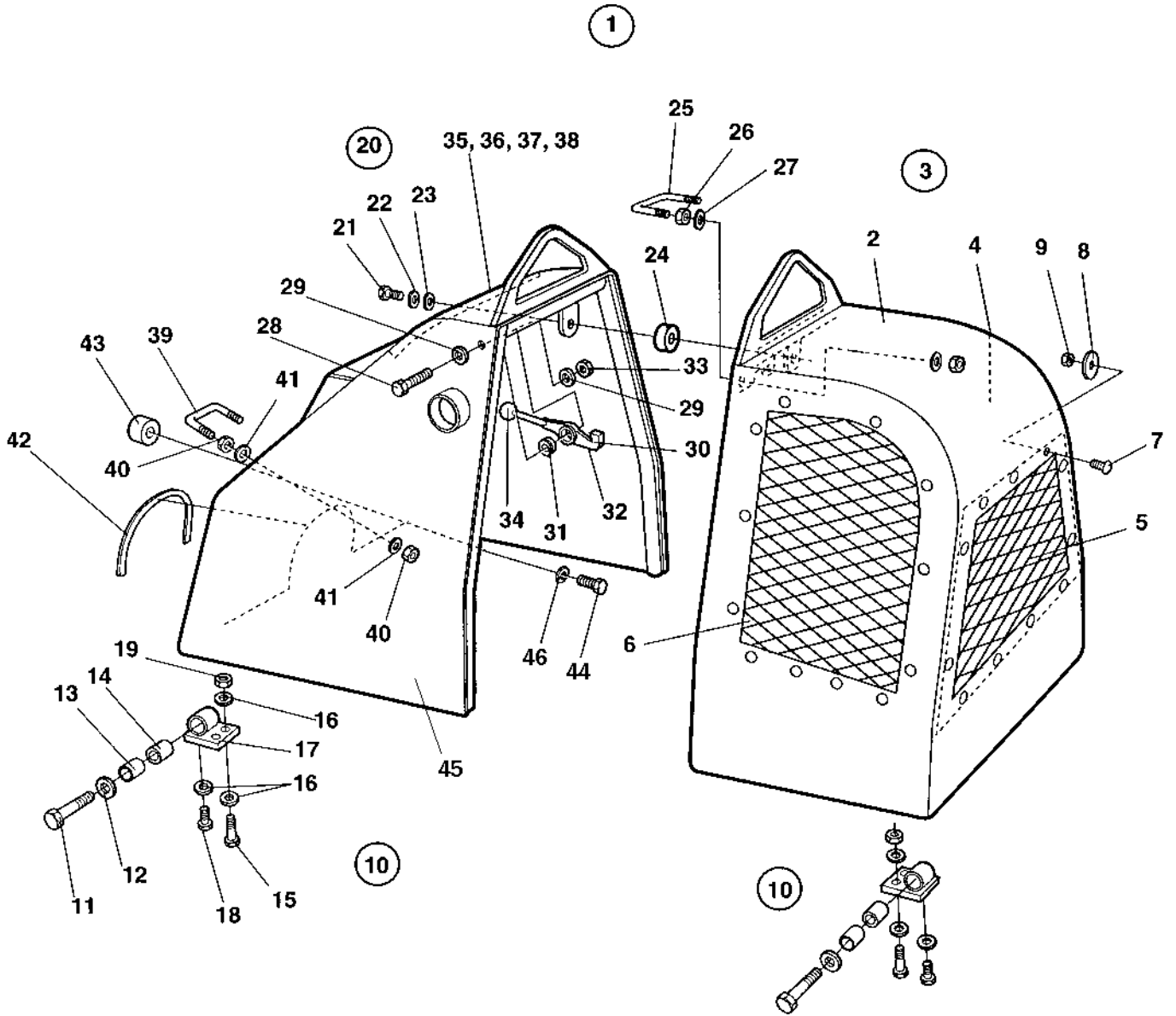
<b>Ref. No.</b>	<b>Part No.</b>	<b>Rem.</b>	<b>Qty</b>	<b>Description</b>	<b>Code</b>
10				Ground plate, engine plate ( Page 6 )	
30				Hood ( Page 8 )	



**Ground plate, engine plate**

<b>Ref. No.</b>	<b>Part No.</b>	<b>Rem.</b>	<b>Qty</b>	<b>Description</b>	<b>Code</b>
1		A	1	Hood	
2	282152		8	Shock absorber	B
3	282930		1	Engine plate Up to 83100498	
	384014		1	Engine plate From 83100499	
4	904229		4	Washer 8,4x16x1,5	
5	500053		4	Screw M8-1,25x20 8,8	
6	904213		4	Washer	
7	586019		1	Lock nut M12	
8	904250		4	Stop screw	
9	947689		1	Screw	
10	280417		2	Strap	B
11	500035		3	Screw	
12	281900		1	Ground plate	
13	281908		2	Extention plate	
14	500102		6	Screw M16	
15	904558		6	Washer	
16	570007		8	Nut	
17	904231		8	Washer 13x24x2	
18	508028		1	Screw	
19	747541		1	Washer	D
20	280750		4	Shock absorber	B
21	100900906		2	Spring	
22	904703		1	Washer 13x24x4	

A) See section hood



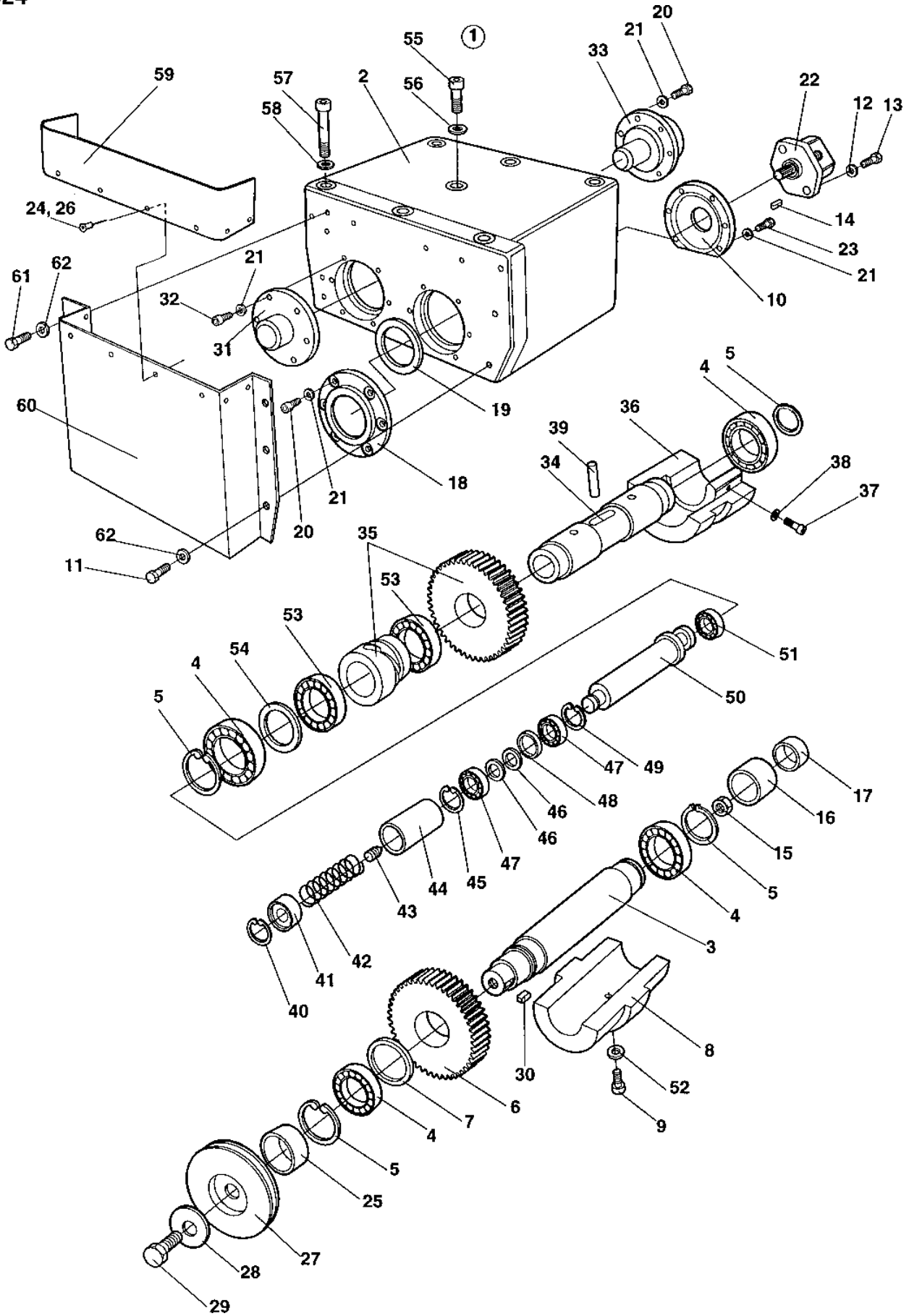
**Hood**

Ref. No.	Part No.	Rem.	Qty	Description	Code
1			1	Engine hood, cpl	
2	282965		1	..Bonnet front	
3			1	..Ventilations grid, cpl	
4	282936		1	..Grid, left	
5	282918		1	..Grid, front	
6	282917		1	..Grid, right	
7	903923		29	..Screw	
8	901836		29	..Washer	
9	902285		29	..Lock nut M6	
10			1	..Hinge, cpl	
11	947700		4	..Screw	
12	903904		8	..Washer	
13	281428		4	..Bushing	
14	100505053		4	..Bushing	
15	500194	B	8	..Screw M12x40	
16	900994	B	16	..Lock washer	
17	100505049		4	..Hinge bracket	
18	500051	B	8	..Screw M12-1,75x25 8,8	
19	500007		8	..Nut	
20			1	..Hood locking , cpl	
21	500048		1	..Screw M10-1,5x20 8,8	
22	615044		1	..Conical spring washer	D
23	600008		1	..Washer	
24	281804		1	..Rubber stop	D
25	283022		1	..U-bolt	
26	570007		4	..Nut	
27	900994		4	..Lock washer	
28	500121		1	..Screw	
29	615045		2	..Conical spring washer	
30	283021		1	..Lock arm	
31	281383		1	..Bushing	
32	516043		1	..Set screw	
33	586019		1	..Lock nut M12	
34	281382		1	..Ball knob M12, D= 50mm	
35	100505047		1	..Plate	
36	513012		6	..Screw	
37	615042		6	..Conical spring washer	
38	570004		6	..Nut M6	
39	282090		1	..U-bolt	
40	570006		4	..Nut M10	
41	900993		4	..Lock washer	
42	202028		1	..Edge trim	
43	281804		1	..Rubber stop	D
44	500043		1	..Screw	
45	282966		1	..Bonnet, rear	
46	904230		1	..Washer 10,5x22x2	

B) See section hood



Ref. No.	Part No.	Rem.	Qty	Description	Code
10				Eccentric element ( Page 12 )	

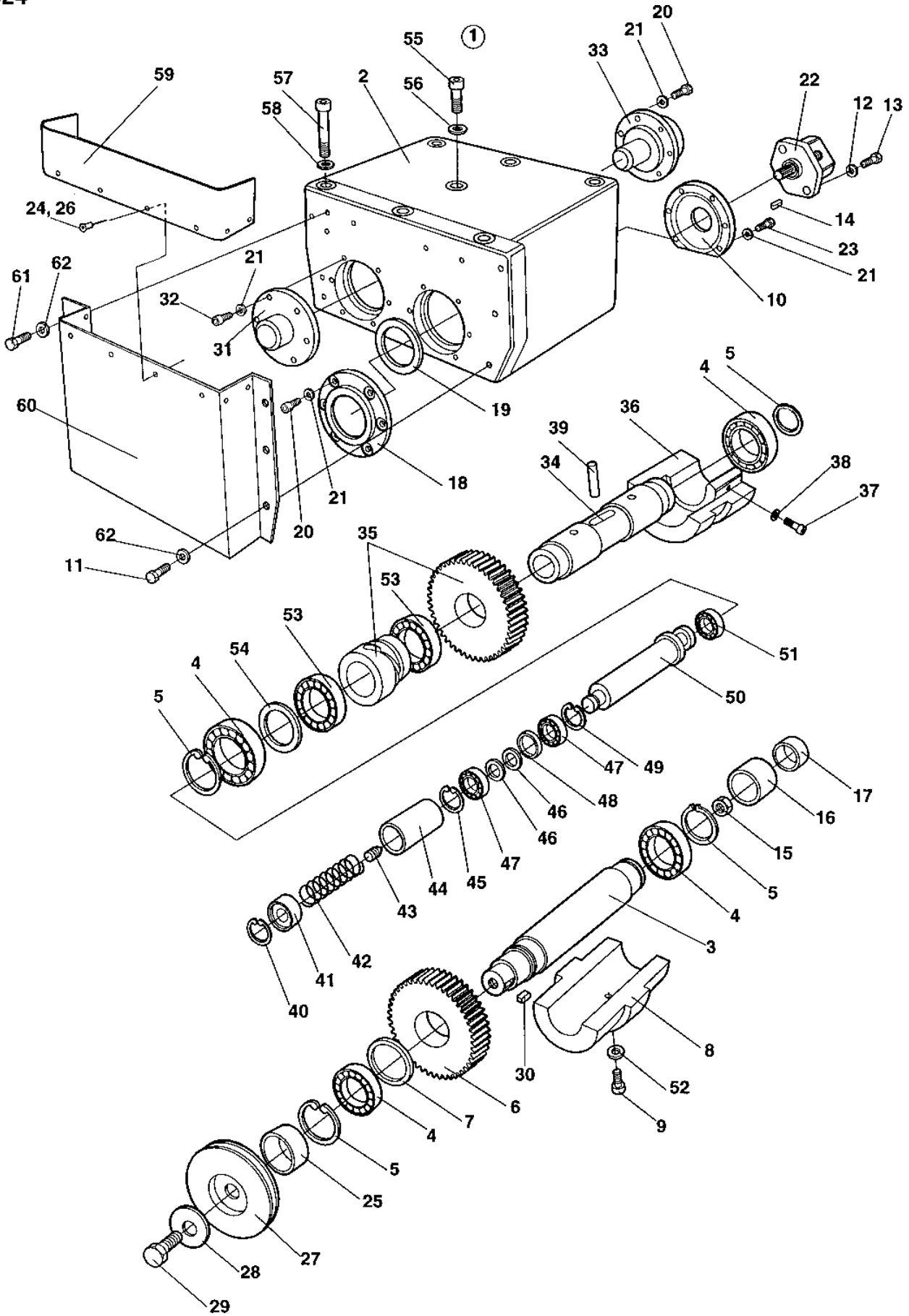


Ref. No.	Part No.	Rem.	Qty	Description	Code
1			1	Eccentric element, cpl	
2	280662		1	.Eccentric housing	
3	280630		1	.Shaft	
4	903363		4	.Ball bearing	D
5	150017		4	.Retaining ring	D
6	280670		1	.Gear	D
7	280645		1	.Spacer ring	
8	280663		1	.Eccentric weight	D
	286380		1	.Eccentric From 83100320	
9	508032		1	.Screw	
	904386		1	.Screw From 83100320	
10	280640		1	.Cover	
11	500053		6	.Screw M8-1,25x20 8,8	
12	600004		2	.Washer	
13	508025		2	.Screw	
14	928789	A	1	.Key	
15	928895	A	1	.Nut	
16	928893		1	.Sleeve	
17	928894		1	.Sleeve	
18	280850		1	.Cover	
19	928794		1	.Sealing ring	D
20	500040		12	.Screw M6-1x20 8,8	
21	900899		24	.Washer	
22	281460	D	1	.Hydraulic pump	
	381527		1	.Hydraulic pump Up to 83100498	
	383562		1	.Hydraulic pump From 83100499	
23	500075		6	.Screw	
24	624021		8	.Rivet	
25	928795		1	.Sleeve	
26	927974		8	.Washer	
27	281906		1	.Pulley	
28	281907		1	.Washer	
29	500030		1	.Screw M10-1,5x35H 8,8	
30	350029		1	.Key	
31	280642		1	.Cover	
32	500013		6	.Screw M6-1x16 8,8	
33	280639		1	.Cylinder	
34	280631		1	.Shaft	
35	280659		1	.Changer	D
36	280669		1	.Eccentric weight	D
37	508031		1	.Screw	
38	600009		1	.Washer	
39	280644		1	.Pin	
40	151007		1	.Retaining ring	
41	280648		2	.Washer	
42	280677		1	.Spring	
43	928241		1	.Screw	
44	280637		1	.Piston	
45	150002		1	.Retaining ring	
46	929291		10	.Cup spring	
47	929286		2	.Ball bearing	D
48	280647		1	.Spacer ring	
49	151039		1	.Retaining ring	
50	280638		1	.Piston	
51	281276		1	.Sealing ring	
52	903844		1	.Washer From 83100320	
53	929287		2	.Ball bearing	D
54	280646		1	.Spacer	
55	232143		1	.Plug	
56	162011		1	.Washer, sealing	D
57	929454		6	.Screw	
58	615045		6	.Conical spring washer	

A) Supplied with pump

D) Old version

T0024



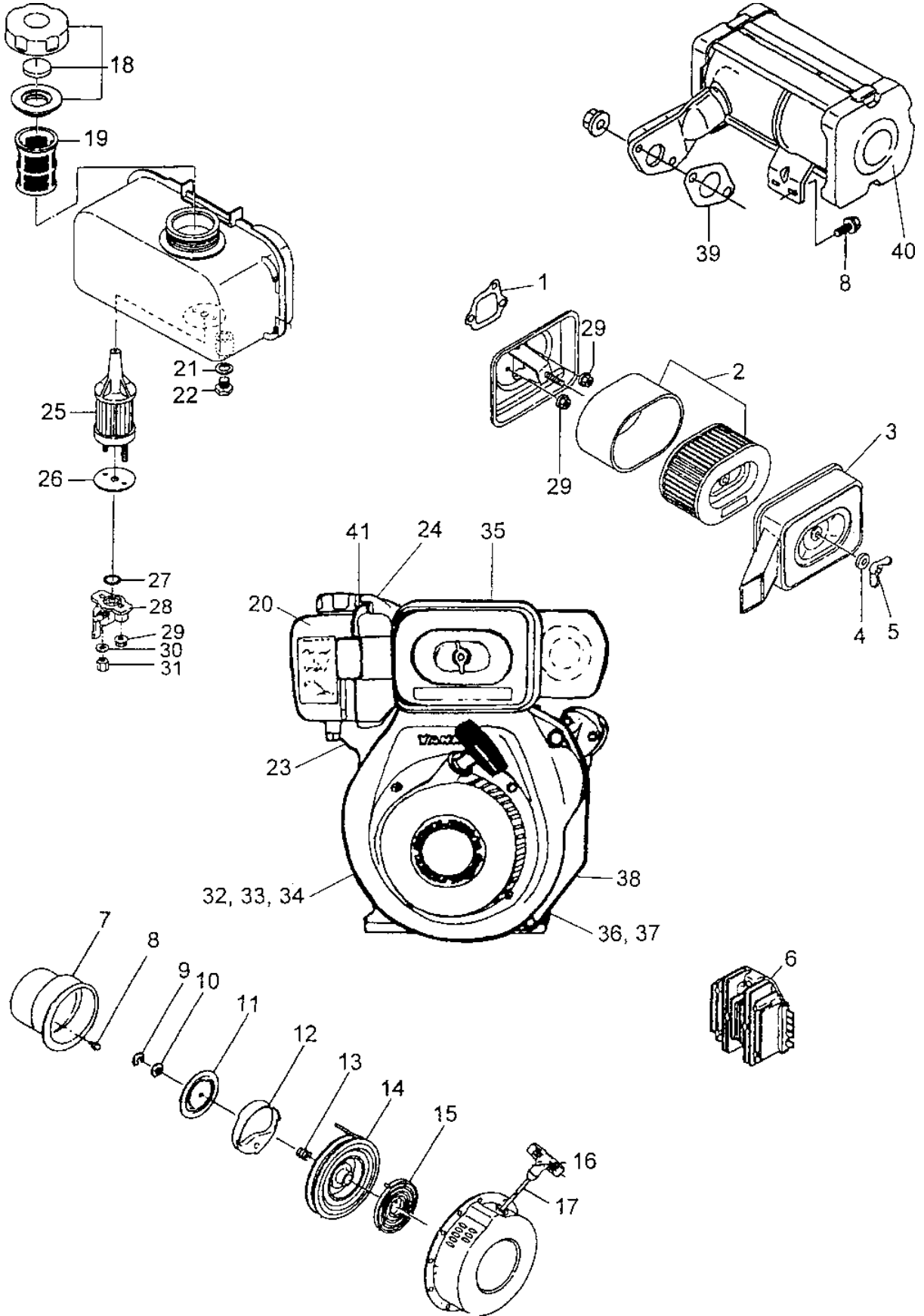
<b>Ref. No.</b>	<b>Part No.</b>	<b>Rem.</b>	<b>Qty</b>	<b>Description</b>	<b>Code</b>
59	282984		1	.Splash guard	
60	282985		1	.Pulley protection	
61	500022		2	.Screw M8-1,25x30 8,8	
62	615043		8	.Conical spring washer 8,4x18x2	
63	202043	C	1	.Rubber list	

C) 0,3 M

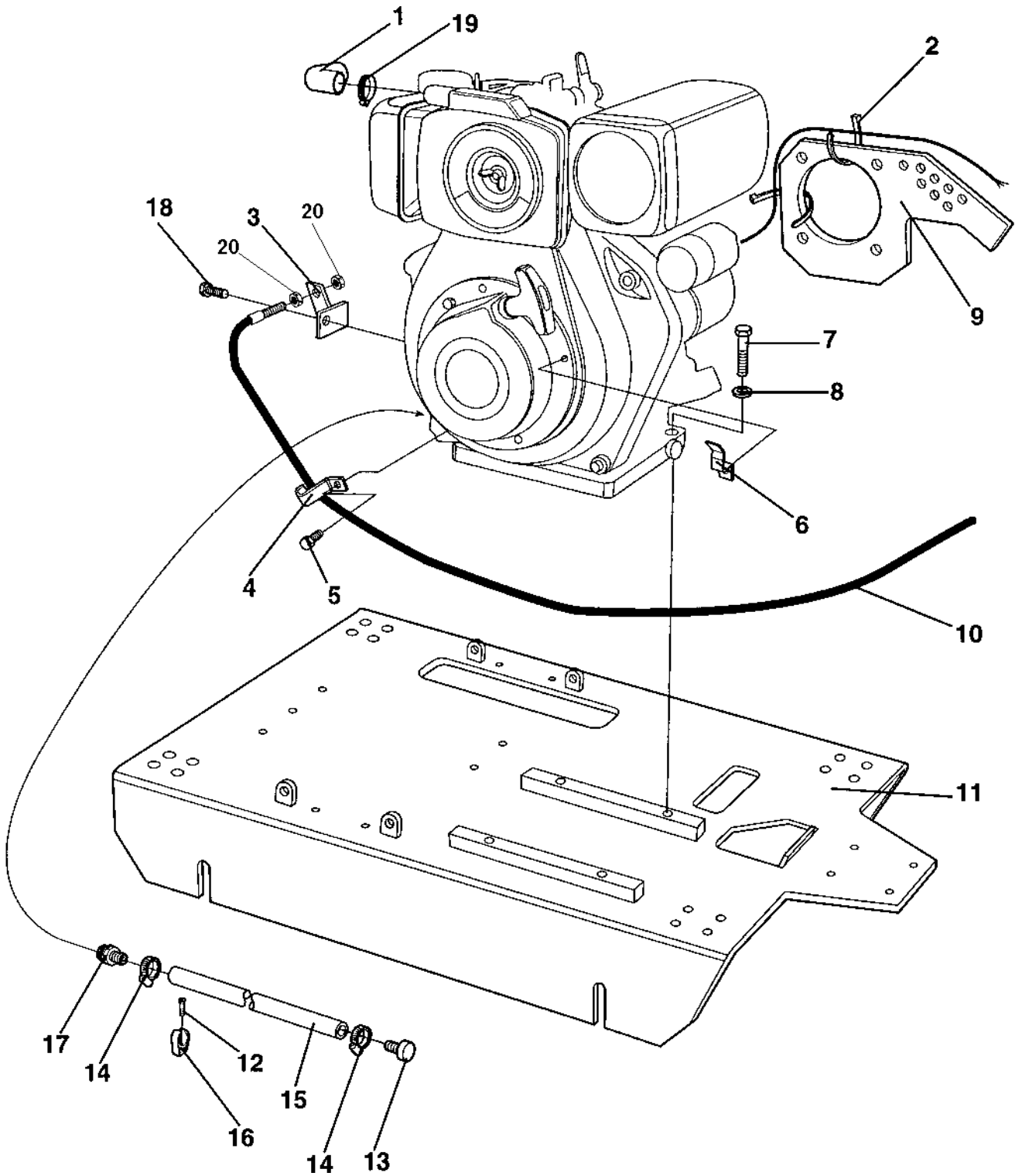


**Engine**

<b>Ref. No.</b>	<b>Part No.</b>	<b>Rem.</b>	<b>Qty</b>	<b>Description</b>	<b>Code</b>
10				Engine Yanmar L70AE-DEF ( Page 18 )	
20				Engine installation ( Page 20 )	



<b>Ref. No.</b>	<b>Part No.</b>	<b>Rem.</b>	<b>Qty</b>	<b>Description</b>	<b>Code</b>
1	239295		1	Gasket	
2	100901722		1	Filter element	
3	282982		1	Air filter cover	
4	282997		1	Rubber gasket	
5	282998		1	Wing nut	
6	100901733		1	Charging regulator	
7	239348		1	Pulley	
8	239361		5	Screw	
9	239347		1	Nut	
10	239346		1	Washer	
11	239345		1	Sheet metal	
12	239369		1	Ratchet	
13	239373		1	Spring	
14	239349		1	Reel	
15	239368		1	Return spring	
16	239367		1	Handle	
17	239350		1	Starter rope	D
18	100901724		1	Filler cap	D
19	238458		1	Fuel strainer	D
20	239351		1	Fuel tank, cpl.	
21	239307		1	Sealing	
22	239308		1	Drain screw	
23	239196		1	Bracket	
24	239344		1	Bracket	
25	239370		1	Fuel filter	
26	239360		1	Gasket fuelfilter	
27	238460		1	O-ring	
28	239193		1	Fuel cock	
29	239194		1	Nut	
30	282995		1	Washer	
31	239195		1	Nut	
32	238454		1	Oil filter	A
33	238455		1	O-ring	A
34	238456		1	Screw	
35	238446		1	Gasket valve cap	D
36	238447		2	Oil drain plug	
37	238448		1	Sealing washer	
38	239371		1	Oil dip stick	
39	239366		1	Gasket	
40	282994		1	Muffler	
41	239156		4	Damper	
42	282986			Diesel engine	



<b>Ref. No.</b>	<b>Part No.</b>	<b>Rem.</b>	<b>Qty</b>	<b>Description</b>	<b>Code</b>
1	282999		1	curved pipe	
2	925802		2	Cable ties L=142 mm	
3	282968		1	Bracket	
4	282969		1	Cabel holder	
5	902989		1	Screw	
6	282970		1	Holder	
7	500030		4	Screw M10-1,5x35H 8,8	
8	904230		4	Washer 10,5x22x2	
9		A	1	Bracket	
10		B	1	Trottle control	
11		C	1	Engine plate	
12	281115		1	Screw	
13	100504609		1	Plug	
14	313001		2	Hose clamp	
15	100901382		1	Hose	
16	281234		1	Ryw-clips	
17	100501286		1	Hose connection	
18			1	Screw	
19			1	Pipe clamp	
20			2	Nut	

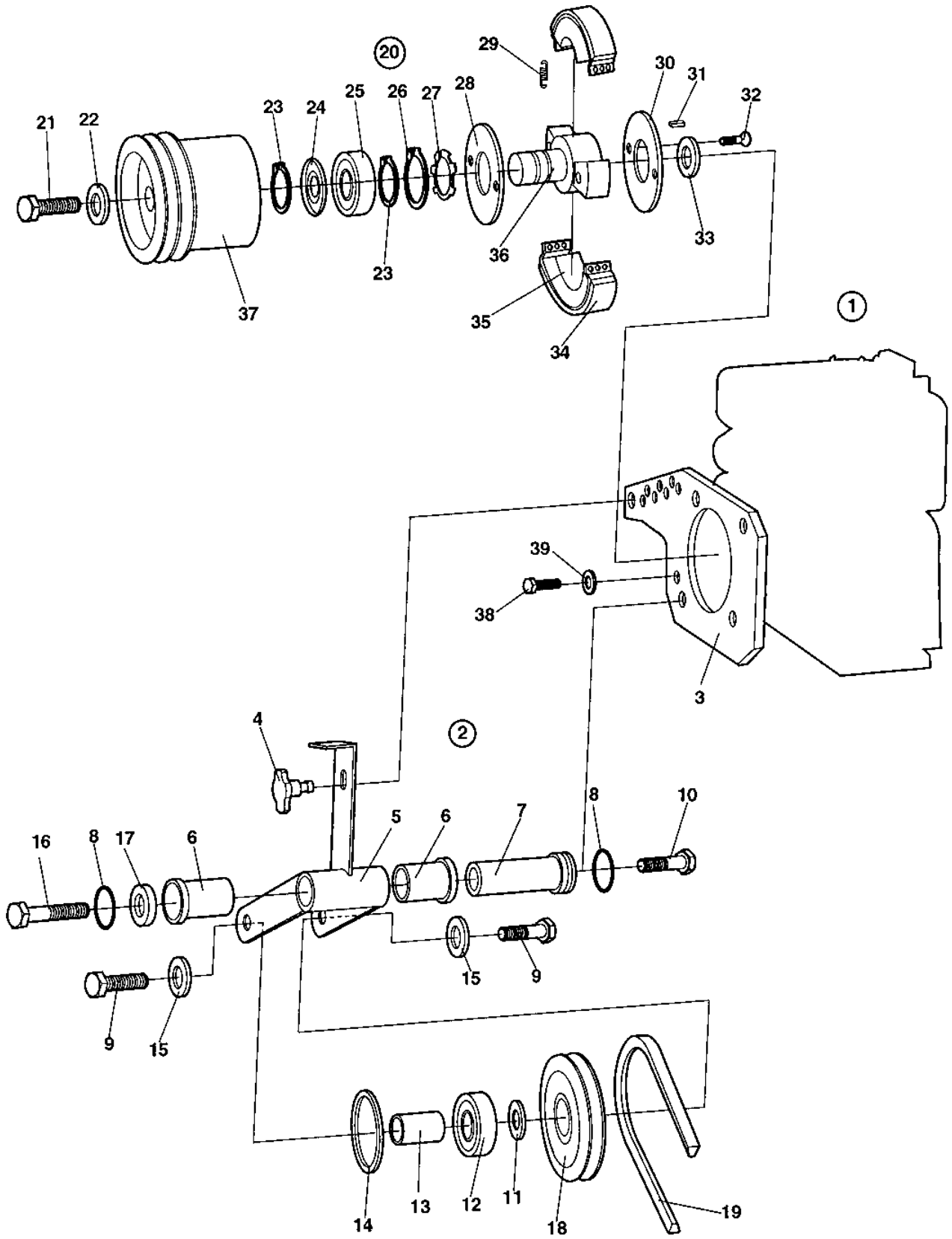
A) See section transmission

B) See section Dead man handle

C) See section ground plate, engine plate



<b>Ref. No.</b>	<b>Part No.</b>	<b>Rem.</b>	<b>Qty</b>	<b>Description</b>	<b>Code</b>
10				Transmission ( Page 24 )	
11					



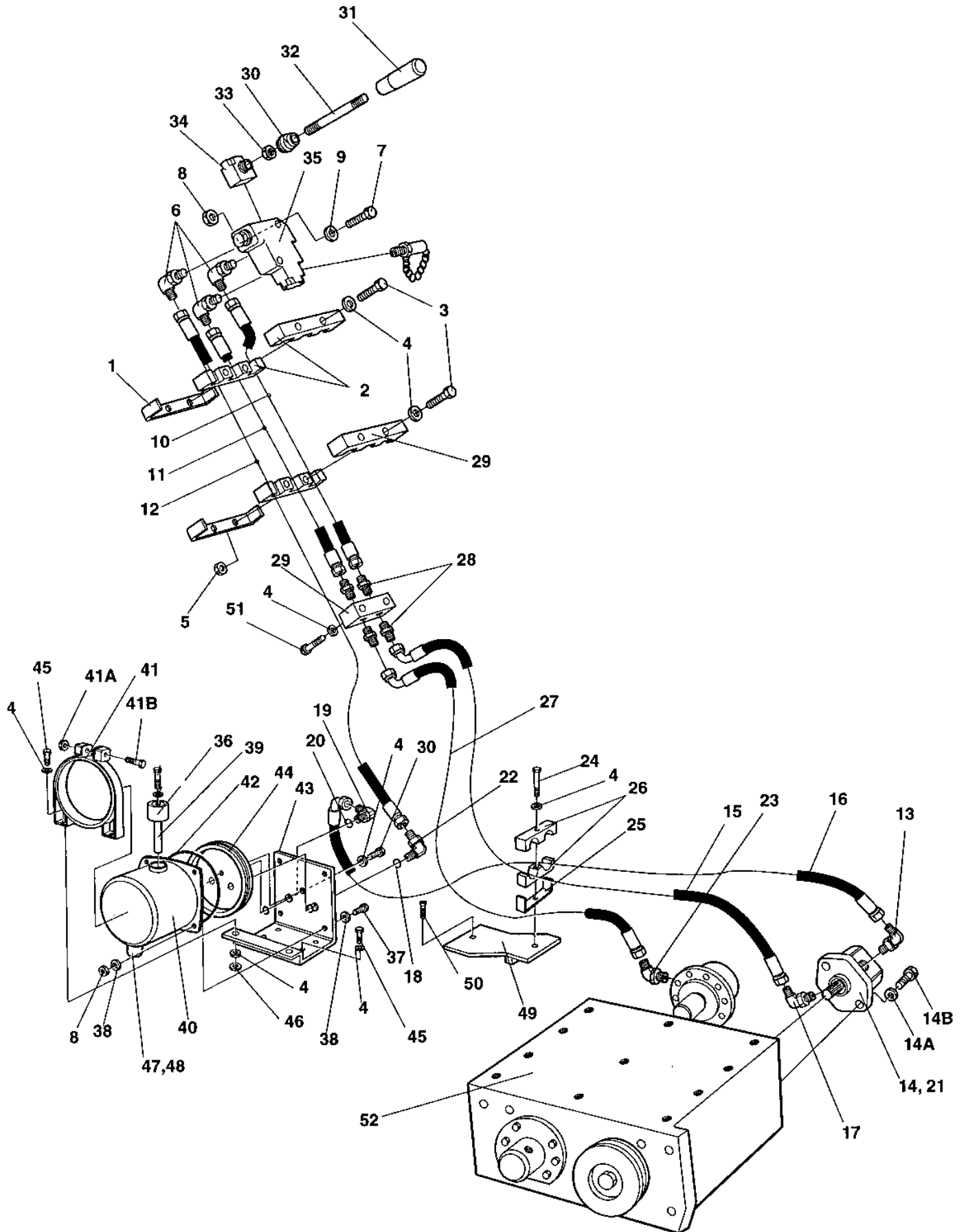
Ref. No.	Part No.	Rem.	Qty	Description	Code
1		A	1	Engine	
2			1	V-belt tensioner, cpl To SN 83100442	
			1	V-belt tensioner, cpl From SN 83100443	
3	100505025		1	.Bracket Up to 83100442	
	382101		1	.Bracket From 83100443	
4	100505034		1	.Knob	
5	282919		1	.Arm	
6	281371		2	.Flange bearing	
7	282921		1	.Shaft Up to 83100442	
	382099		1	.Shaft From 83100443	
8	160005		2	.O-ring	
9	500048		2	.Screw M10-1,5x20 8,8	
10	513025		1	.Screw Up to 83100442	
11	150009		1	.Snap ring	
12	111114		1	.Ball bearing	
13	282920		1	.Hub	
14	151017		1	.Retaining ring	
15	615044		2	.Conical spring washer	D
16	500028		1	.Screw M10-1,5x25 8,8 Up to 83100443	
	500092		1	.Screw From 83100443	
17	100505028		1	.Washer	
18	280836		1	.V-belt pulley	D
19	282988		1	.V-belt Up to 84800326	
20	281909		1	Centrifugal clutch cpl	D
21	500048		1	.Screw M10-1,5x20 8,8	
22	615072		1	.Washer	
23	150015		2	.Snap ring	
24	134056		1	.Sealing ring	
25	111139		2	.Ball bearing	
26	151023		1	.Retaining ring	
27	938532	D	1	.Retaining ring	
28	912479		1	.Cover	
	239857	D	1	.Cover	
29	921527		1	.Spring	
30	100901024		1	.Cover	
31	239320		1	Key	
32	535002		2	.Screw	
33	100505044		1	Spacer	
34	238631		2	.Linings	
35	912477		2	.Centrifugal weight	D
36	936928		1	.Hub	
	939043	D	1	.Hub	
37	936936		1	.Housing, clutch	
38	500021		4	Screw M8-1,25x25 8,8	
39	615043		4	Conical spring washer 8,4x18x2	

A) See section engine

D) New version, parts 239857, 939043 and 938532 must change together



Ref. No.	Part No.	Rem.	Qty	Description	Code
10				Hydraulic system Up to SN 83100498 ( Page 28 )	
20				Hydraulic system From SN 83100499 ( Page 30 )	
30				Hydraulic tank From SN 83100499 ( Page 32 )	

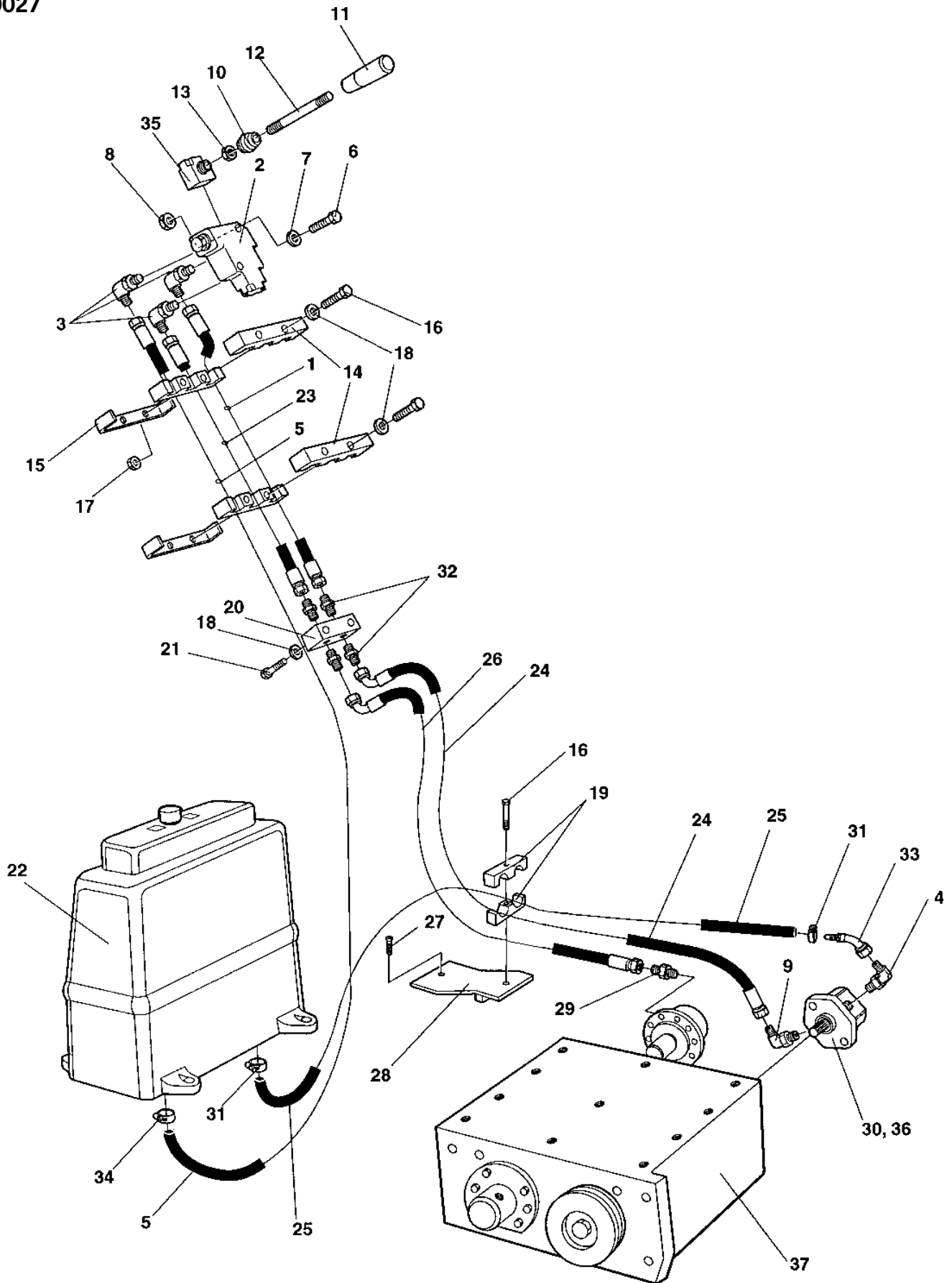


Ref. No.	Part No.	Rem.	Qty	Description	Code
1	100505023		2	Bracket	
2	280534		2	Rubber block	
3	500025		4	Screw	
4	904229		17	Washer 8,4x16x1,5	
5	902286		2	Lock nut M8	
6	234481		3	Adapter	
7	500079		2	Screw M6x50	
8	902285		6	Lock nut M6	
9	904228		2	Washer 6,4x12x1,5	
10	281379		1	Hydraulic hose	
11	282964		1	Hydraulic hose	
12	282963		1	Hydraulic hose	
13	928911		1	Angle adapter	
14		A	1	Hydraulic pump	
14-A		A	1	Washer	
14-B		A	1	Screw	
15	282971		1	Hydraulic hose	
16	483212		1	Hydraulic hose	
17	281466		1	Adapter	
18	904252		1	O-ring	
19	334563		1	Adapter	
20	904253		1	O-ring	
21	280540		1	Protector	
22	234778		1	Adapter	
23	234992		1	Adapter	
24	500024		1	Screw	
25	280538		1	Bracket	
26	281705		1	Rubber block	
27	283213		1	Hydraulic hose	
28	234219		4	Adapter	
29	282916		1	Block	
30	939063		1	Rubber Cover	
31	903821		1	Grab handle	
32	100505042		1	Rod	
33	570005		1	Nut M8	
34	939044		1	Lever housing	
35	282993		1	Valve	
36	929105		1	Filler cap	D
36-A		C	1	Screw	D
36-B		C	1	Washer	D
37	500040		4	Screw M6-1x20 8,8	
38	904228		4	Washer 6,4x12x1,5	
39	924813		1	Spirol pin	
40	282911		1	Hydraulic oil tank	
41	282979		1	Ring fastener	
41-A		B	1	.Nut	
41-B		B	1	.Screw	
42	904251		1	O-ring	
43	282914		1	Holder	
44	282915		1	Matris	
45	100900122		6	Screw	
46	586003		2	Lock nut M8	
47	283016		1	Drain plug	
48	162004		1	Sealing washer	
49	282981		1	Bracket	
50	513003		1	Screw	
51	500021		3	Screw M8-1,25x25 8,8	
52		A	1	Eccentric element	

A) See section eccentric element

B) Included in 282979

C) Included in 929105



Ref. No.	Part No.	Rem.	Qty	Description	Code
1	281379	A	1	Hydraulic hose	
2	282993		1	Valve	
3	234481		3	Adapter	
4	904979		1	Adapter	
5	383401	B	1	Hydraulic hose	D
6	500079		2	Screw M6x50	
7	904228		2	Washer 6,4x12x1,5	
8	902285		2	Lock nut M6	
9	281466		1	Adapter	
10	939063	J	1	Rubber Cover	
11	903821		1	Grab handle	
12	100505042		1	Rod	
13	570005		1	Nut M8	
14	280534		3	Rubber block	
15	100505023		3	Bracket	
16	500025		5	Screw	
17	902286		2	Lock nut M8	
18	904229		7	Washer 8,4x16x1,5	
19	383458		1	Hose holder	
20	282916		1	Block	
21	500021		2	Screw M8-1,25x25 8,8	
22		C	1	Hydraulic tank	
23	282964	D	1	Hydraulic hose	
24	282971	E	1	Hydraulic hose	
25	383404	F	1	Hydraulic hose	
26	483213	G	1	Hydraulic hose	
27	513003		1	Screw	
28	282981		1	Bracket	
29	234992		1	Adapter	
30	280540		1	Protector	
31	313003		2	Hose clamp	D
32	234219		4	Adapter	
33	383755		1	Connector	
34	313108		1	Hose clamp	
35	939044	J	1	Lever housing	
36		H	1	Hydraulic pump	
37		H	2	Eccentric element	

A) L=950 MM

B) L=1230 MM

C) See section hydraulic tank

D) L=930 MM

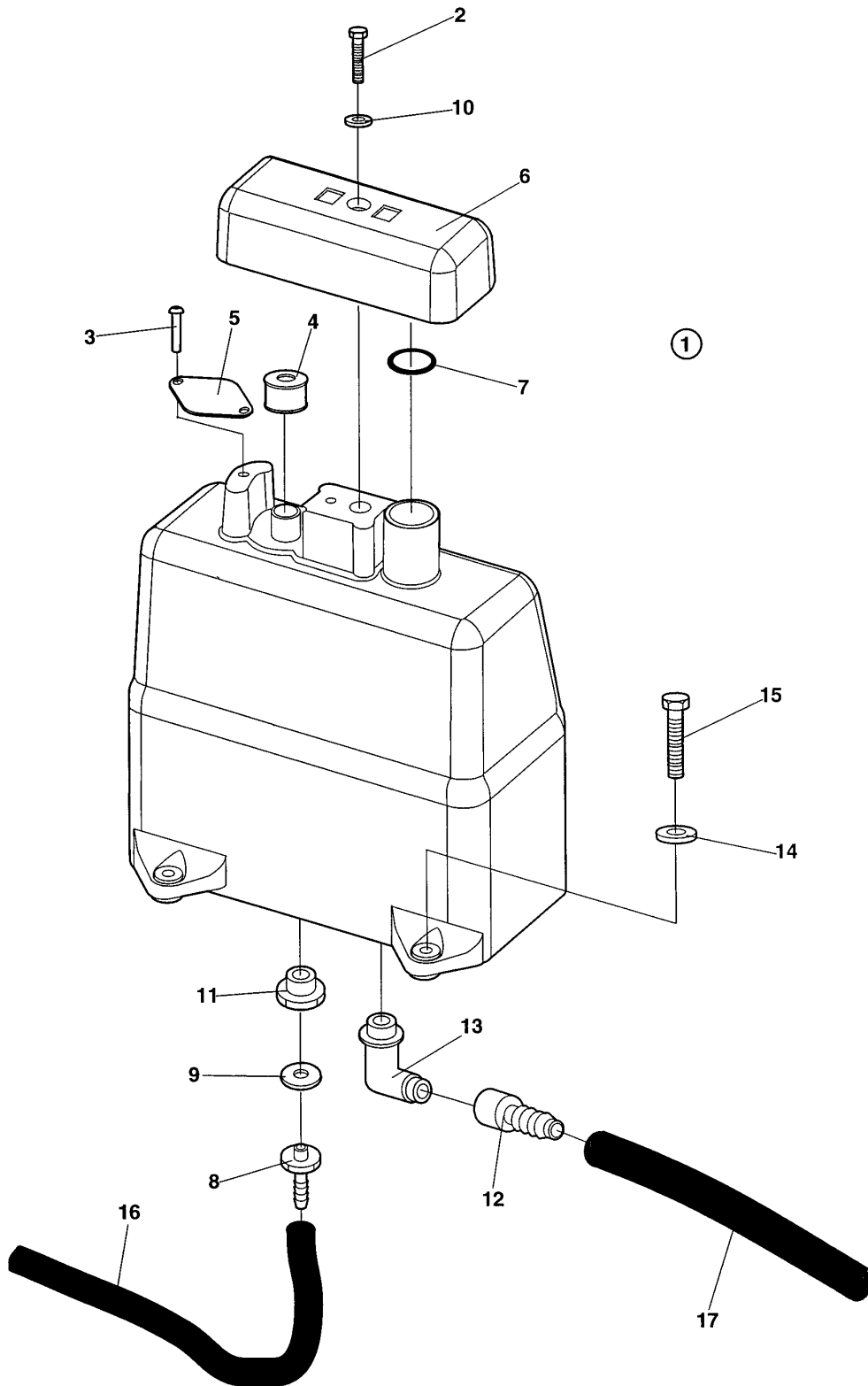
E) L=410 MM

F) L=370 MM

G) L=265 MM

H) See section Eccentric element

J) Included in 282993



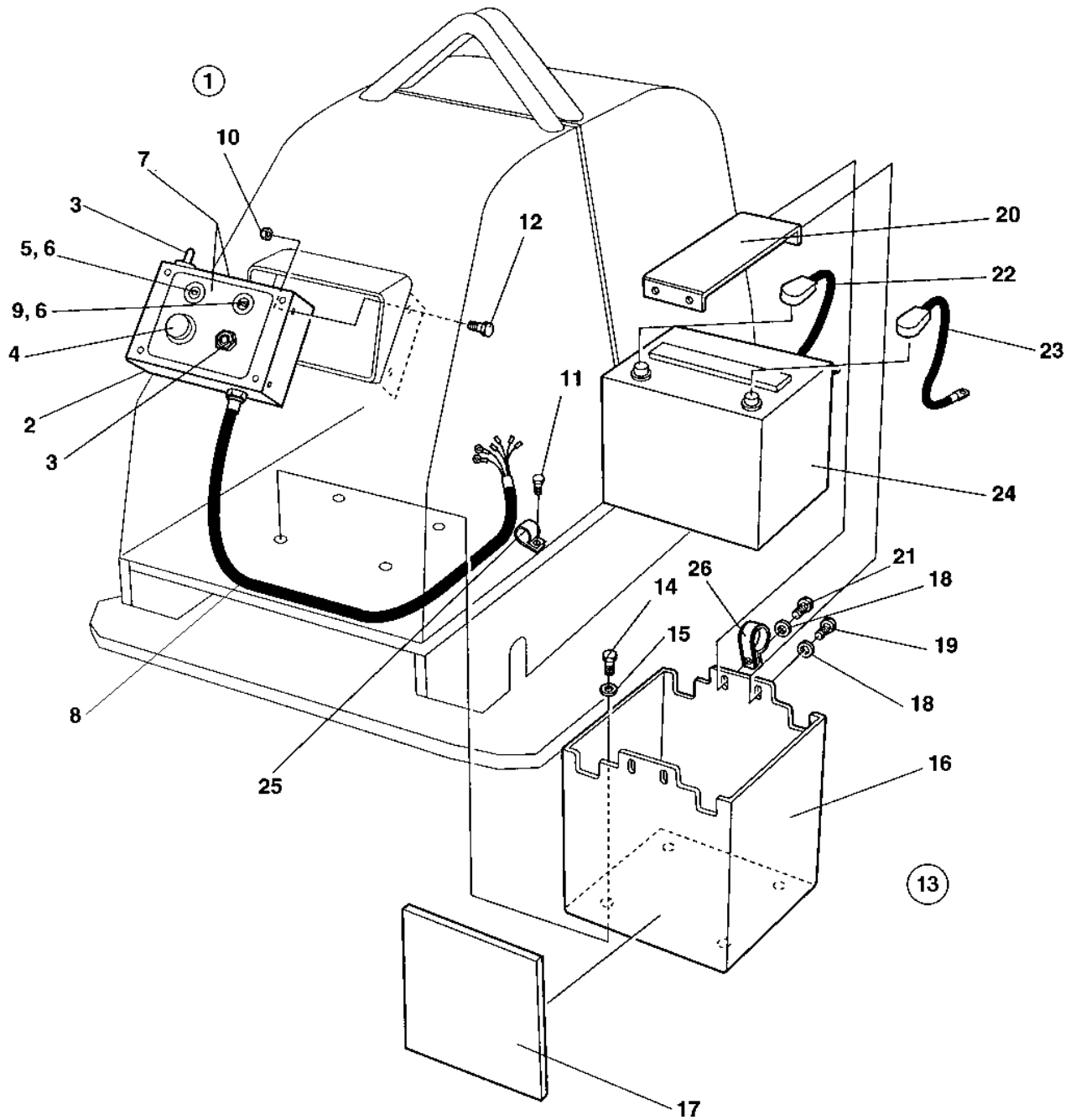
**Hydraulic tank From SN 83100499**

<b>Ref. No.</b>	<b>Part No.</b>	<b>Rem.</b>	<b>Qty</b>	<b>Description</b>	<b>Code</b>
1			1	Hydraulic tank, cpl	
2	500021		1	.Screw M8-1,25x25 8,8	
3	904960		2	.Screw	
4	381566		1	.Air filter	
5	381563		1	.Holder	
6	381385		1	.Cover	
7	160110		1	.O-ring	
8	383353		1	.Hose coupling	
9	480124		1	.Washer	
10	904229		1	.Washer 8,4x16x1,5	
11	383039		1	.Reduction	
12	383355		1	.Hose coupling	
13	334238		1	.Adapter	
14	904230		4	Washer 10,5x22x2	
15	500030		4	Screw M10-1,5x35H 8,8	
16		A	1	Hydraulic hose	
17		A	1	Hydraulic hose	

A) See section hydraulic system



Ref. No.	Part No.	Rem.	Qty	Description	Code
10				Electric equipment ( Page 36 )	



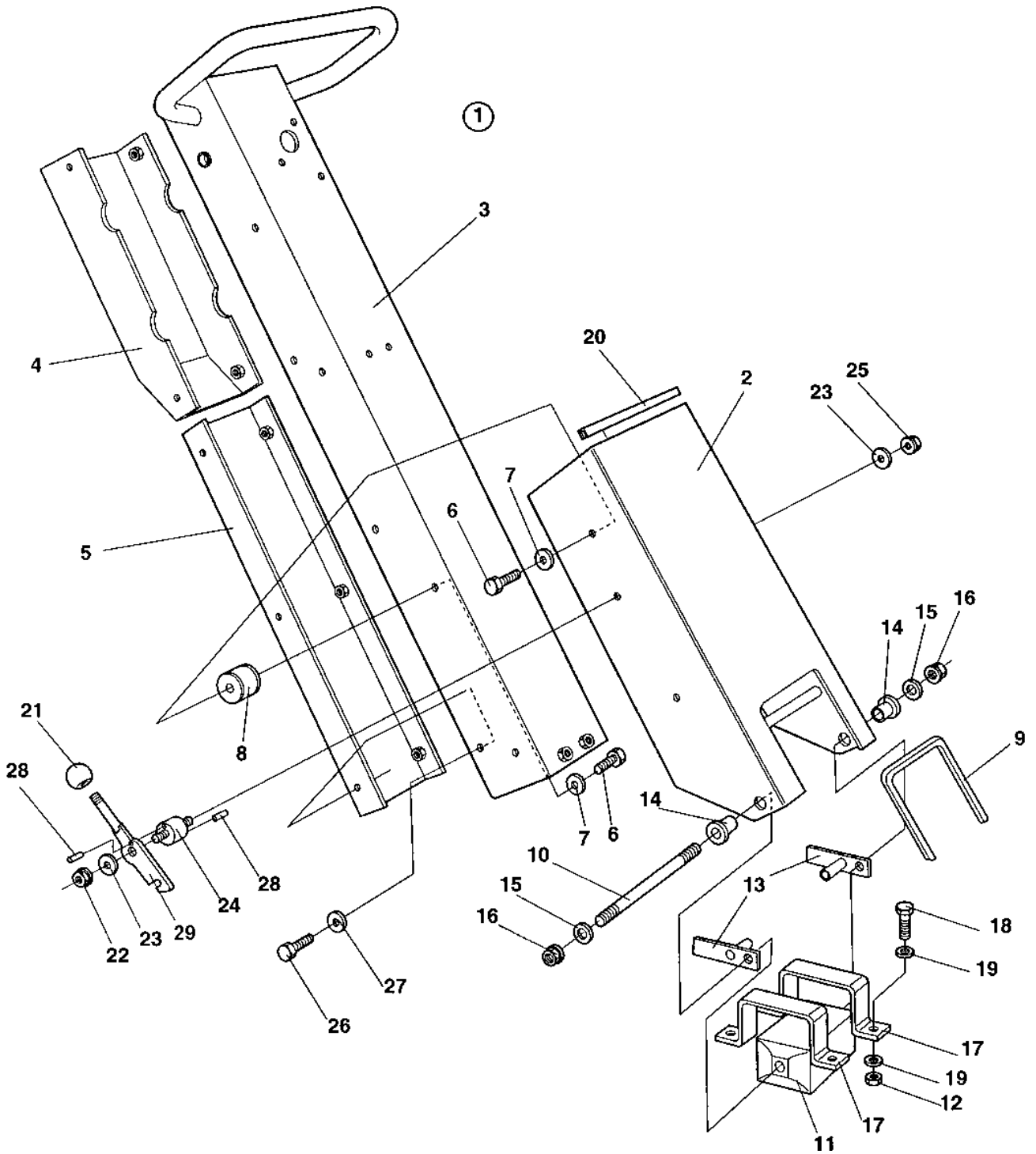
Ref. No.	Part No.	Rem.	Qty	Description	Code
1			1	Electric box cpl	
2	100505078		1	.Box	
3	288267		2	.Switch	B
4	100901140		1	.Starter switch	
5	239463		1	.Charge lamp	D
6	985012		2	.Bulb	D
7	100505079		1	.Decal	
8			1	.Protection hose	
9	239466		1	.Oil pressure lamp	D
10	902285		4	Lock nut M6	
11	500013		1	Screw M6-1x16 8,8	
12	513008		4	Screw	
13			1	Battery box, cpl	
14	500043		4	.Screw	
15	904230		4	.Washer 10,5x22x2	
16	282932		1	.Battery box	
17	282934		1	.Battery isolation	
18	904229		4	.Washer 8,4x16x1,5	
19	500019		3	.Screw M8-1,25x16 8,8	
20	282933		1	.Cover	
21	500053		1	.Screw M8-1,25x20 8,8	
22	281288		1	Battery cable (+)	
23	281289		1	Battery cable (-)	
24	100901215		1	Battery	
25	921028		1	Tube clip	
26	921072		1	Tube clip	





Handle

Ref. No.	Part No.	Rem.	Qty	Description	Code
10				Handle ( Page 40 )	
20				Option, dead man handle ( Page 42 )	



**Handle**

Ref. No.	Part No.	Rem.	Qty	Description	Code
1			1	Handle, cpl	
2	100504731		1	.Handle, lower	
3	282904		1	.Handle	
4	282901		1	.Cover, upper	
5	282903		1	.Cover, lower	
6	500043		9	.Screw	
7	904230		9	.Washer 10,5x22x2	
8	100900827		4	.Shock absorber	
9	902379	B	1XL	.Edge trim	
10	100504730		1	.Stud	
11	100900812		1	.Shock absorber	
12	586019		4	.Lock nut M12	
13	100507036		1	.Retainer	
14	100504729		2	.Bushing	
15	900993		2	.Lock washer	
16	581012		2	.Nut	
17	100900813		2	.Retainer	
18	500194		4	.Screw M12x40	
19	615044		8	.Conical spring washer	D
20	926911	C	1XL	Rubber strip	
21	281382		1	.Ball knob M12, D= 50mm	
22	581012		1	.Nut	
23	900993		2	.Lock washer	
24	281431		1	.Shock absorber	B
25	570006		1	.Nut M10	
26	500019		10	Screw M8-1,25x16 8,8	
27	904229		10	Washer 8,4x16x1,5	
28	629059		2	Spirol pin	
29	100505056		1	Hook	

B) See section hydraulic system

C) See section hydraulic system



**Option, dead man handle**

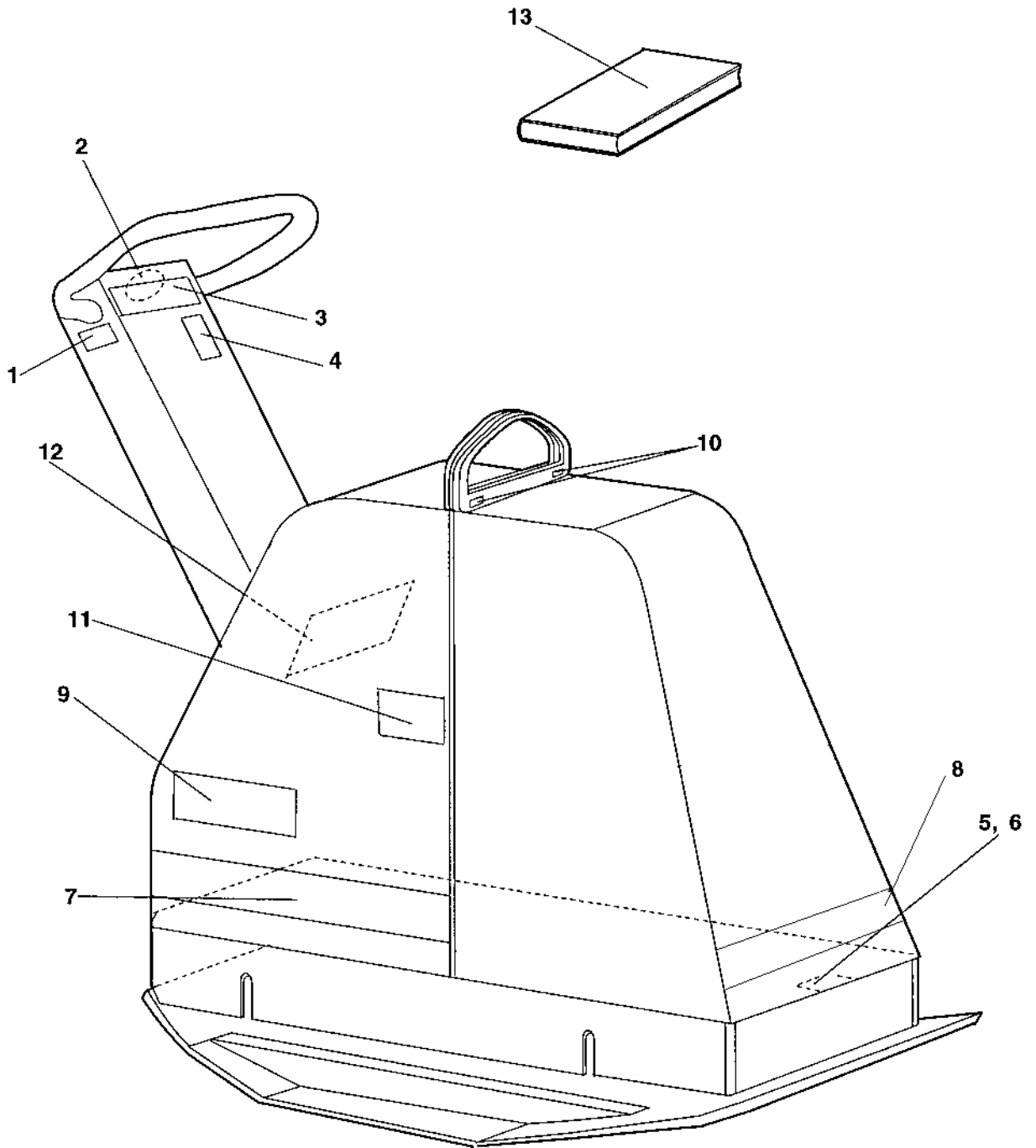
<b>Ref. No.</b>	<b>Part No.</b>	<b>Rem.</b>	<b>Qty</b>	<b>Description</b>	<b>Code</b>
1			1	Dead man handle	
2	281639		2	.Plug	
3	281635		2	.Hub	
4	282900		1	.Shaft	
5	904231		2	.Washer 13x24x2	
6	615007		2	.Washer	
7	629018		2	.Spring pin	
8	629038		2	.Spring pin	
9	282967		1	.Retainer	
10	280756		2	.Slide bearing	
11	629047		1	.Spring pin	
12	281299		1	.Lever	
13	282152		1	.Shock absorber	B
14	282992		1	.Stud	
15	904229		1	.Washer 8,4x16x1,5	
16	947680		1	.Screw	
17	282902		1	.Arm	
18	280842		1	.Ball joint	
19	282974		1	.Cable	
20	570004		1	.Nut M6	
21	281391		1	.Adjusting screw	B
22	570005		1	.Nut M8	
23	904801		1	.Set screw	
24	313041		1	Cable ties L=186 mm	





**Decals and documentation**

<b>Ref. No.</b>	<b>Part No.</b>	<b>Rem.</b>	<b>Qty</b>	<b>Description</b>	<b>Code</b>
10				Decals and documentation ( Page 46 )	



**Decals and documentation**

<b>Ref. No.</b>	<b>Part No.</b>	<b>Rem.</b>	<b>Qty</b>	<b>Description</b>	<b>Code</b>
1	282978		1	Decal, Throttle lever	
2	281898		1	Decal "Hearing protection"	
3	904680		1	Decal "Read instruction manual"	
4	100504272		1	Decal, driving direction	
5	100504810	A	1	Identification plate	
	385135SE		1	Identification plate	
6	700650458	A	4	Screw	
	5270002		4	Screw	
7	100504809	A	1	Decal	
8	100501276		2	Decal, Tremix	
9	282976		2	Decal, MV 310	
10	281269		4	Decal "LIFT"	
11	903832		1	Safety decal	
12	100501275		1	Decal, Tremix	
13			1	Instruction handbook, cpl	
			1	.Instructionbook, engine	
			1	.Operation 1 MV310	
			1	.Spareparts catalogue SMV 310	

A) Old version



# SMV310-1EN1

## NUMERICAL INDEX

Part Number	Page	Part Number	Page	Part Number	Page
100501275	47	239346	19	282904	41
100501276	47	239347	19	282911	29
100501286	21	239348	19	282914	29
100504272	47	239349	19	282915	29
100504609	21	239350	19	282916	29,31
100504729	41	239351	19	282917	9
100504730	41	239360	19	282918	9
100504731	41	239361	19	282919	25
100504809	47	239366	19	282920	25
100504810	47	239367	19	282921	25
100505023	29,31	239368	19	282930	7
100505025	25	239369	19	282932	37
100505028	25	239370	19	282933	37
100505034	25	239371	19	282934	37
100505042	29,31	239373	19	282936	9
100505044	25	239463	37	282963	29
100505047	9	239466	37	282964	29,31
100505049	9	239857	25	282965	9
100505053	9	280417	7	282966	9
100505056	41	280534	29,31	282967	43
100505078	37	280538	29	282968	21
100505079	37	280540	29,31	282969	21
100507036	41	280630	13	282970	21
100900122	29	280631	13	282971	29,31
100900812	41	280637	13	282974	43
100900813	41	280638	13	282976	47
100900827	41	280639	13	282978	47
100900906	7	280640	13	282979	29
100901024	25	280642	13	282981	29,31
100901140	37	280644	13	282982	19
100901215	37	280645	13	282984	13
100901382	21	280646	13	282985	13
100901722	19	280647	13	282986	19
100901724	19	280648	13	282988	25
100901733	19	280659	13	282992	43
1111114	25	280662	13	282993	29,31
1111139	25	280663	13	282994	19
134056	25	280669	13	282995	19
150002	13	280670	13	282997	19
150009	25	280677	13	282998	19
150015	25	280750	7	282999	21
150017	13	280756	43	283016	29
151007	13	280836	25	283021	9
151017	25	280842	43	283022	9
151023	25	280850	13	283213	29
151039	13	281115	21	286380	13
160005	25	281234	21	288267	37
160110	33	281269	47	313001	21
162004	29	281276	13	313003	31
162011	13	281288	37	313041	43
202028	9	281289	37	313108	31
202043	13,15	281299	43	334238	33
232143	13	281371	25	334563	29
234219	29,31	281379	29,31	350029	13
234481	29,31	281382	9,41	381385	33
234778	29	281383	9	381527	13
234992	29,31	281391	43	381563	33
238446	19	281428	9	381566	33
238447	19	281431	41	382099	25
238448	19	281460	13	382101	25
238454	19	281466	29,31	383039	33
238455	19	281635	43	383353	33
238456	19	281639	43	383355	33
238458	19	281705	29	383401	31
238460	19	281804	9	383404	31
238631	25	281898	47	383458	31
239156	19	281900	7	383562	13
239193	19	281906	13	383755	31
239194	19	281907	13	384014	7
239195	19	281908	7	385135SE	47
239196	19	281909	25	480124	33
239295	19	282090	9	483212	29
239307	19	282152	7,43	483213	31
239308	19	282900	43	500007	9
239320	25	282901	41	500013	13,37
239344	19	282902	43	500019	37,41
239345	19	282903	41	500021	25,29

# SMV310-1EN1

## NUMERICAL INDEX

Part Number	Page	Part Number	Page	Part Number	Page
500021	31,33	904250	7		
500022	13	904251	29		
500024	29	904252	29		
500025	29,31	904253	29		
500028	25	904386	13		
500030	13,21	904558	7		
	,33	904680	47		
500035	7	904703	7		
500040	13,29	904801	43		
500043	9,37,41	904960	33		
500048	9,25	904979	31		
500051	9	912477	25		
500053	7,13,37	912479	25		
500075	13	921028	37		
500079	29,31	921072	37		
500092	25	921527	25		
500102	7	924813	29		
500121	9	925802	21		
500194	9,41	926911	41		
508025	13	927974	13		
508028	7	928241	13		
508031	13	928789	13		
508032	13	928794	13		
513003	29,31	928795	13		
513008	37	928893	13		
513012	9	928894	13		
513025	25	928895	13		
516043	9	928911	29		
5270002	47	929105	29		
535002	25	929286	13		
570004	9,43	929287	13		
570005	29,31	929291	13		
	,43	929454	13		
570006	9,41	936928	25		
570007	7,9	936936	25		
581012	41	938532	25		
586003	29	939043	25		
586019	7,9,41	939044	29,31		
600004	13	939063	29,31		
600008	9	947680	43		
600009	13	947689	7		
615007	43	947700	9		
615042	9	985012	37		
615043	13,25				
615044	9,25,41				
615045	9,13				
615072	25				
624021	13				
629018	43				
629038	43				
629047	43				
629059	41				
700650458	47				
747541	7				
900899	13				
900993	9,41				
900994	9				
901836	9				
902285	9,29,31				
	,37				
902286	29,31				
902379	41				
902989	21				
903363	13				
903821	29,31				
903832	47				
903844	13				
903904	9				
903923	9				
904213	7				
904228	29,31				
904229	7,29,31				
	,33,37				
	,41,43				
904230	9,21,33				
	,37,41				
904231	7,43				



