

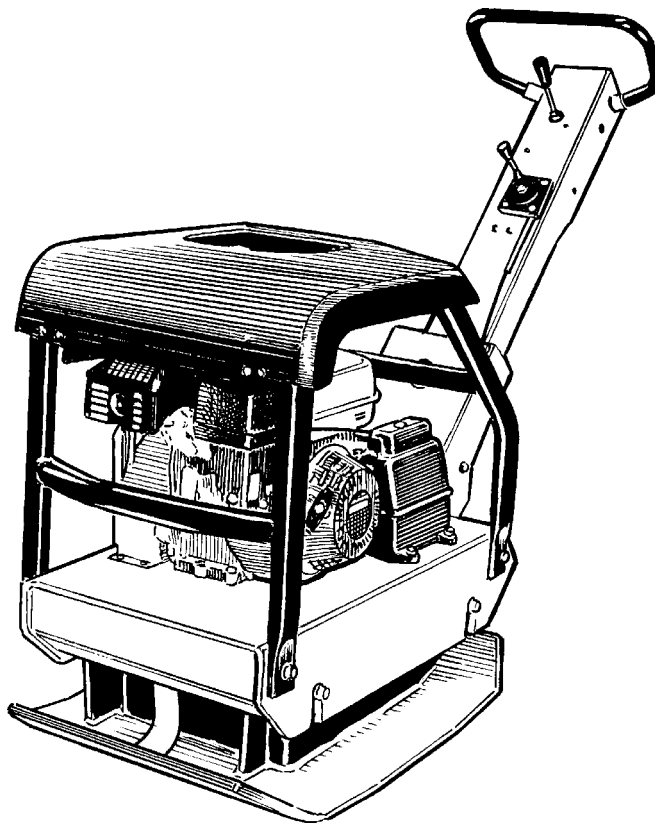
TREMIX

Forward and reverse soil compactor

MV 230

SPARE PARTS CATALOGUE

SMV230-1EN0



TREMIX®

Metso Construction Equipment AB
Stensättravägen 9, Box226
SE- 127 24 Skärholmen, Sweden
Tel: +46 8 603 32 00 Telefax: +46 8 646 72 61

Forward and reverse soil compactor MV 230

Spare Parts Catalogue

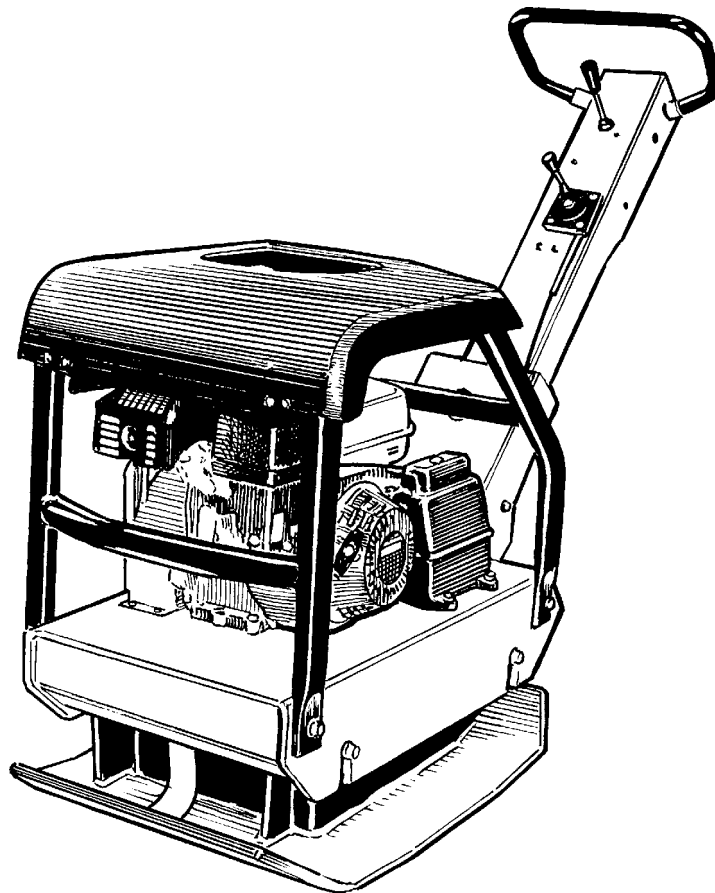
SMV230-1EN0

Engines:

Hatz 1B20

Published catalogue issues valid for these compactors:

<i>Catalogue</i>	<i>Issue date</i>
<i>SMV230-1EN0</i>	<i>2003-01</i>



RESERVDELSBESTÄLLNING

Följande uppgifter ska lämnas vid beställning av reservdelar för att undvika leveransfel:

1. Maskintyp.
2. Vältensserienummer.
3. Antal av önskad reservdel.
4. Reserdelens artikelnummer.
5. Reservdelens benämning.
6. Måttuppgifter vid beställning av metervara.

ERSATZTEILBESTELLUNG

Zur Vermeidung von Fehllieferungen sind bei der Bestellung von Ersatzteilen folgende Angaben zu machen:

1. Maschinentyp.
2. Herstellungsnummer.
3. Bestellmenge. (Quantity)
4. Ersatzteilnummer. (Part N°)
5. Ersatzteilbenennung. (Denomination)
6. Massangaben bei Bestellung von Meterware.

PEDIDO DE RECAMBIOS

Para evitar errores en las entregas, deberán indicarse los siguientes datos al hacer un pedido de recambios:

1. Tipo de máquina.
2. Número de serie.
3. Cantidad de piezas deseadas. (Quantity)
4. Número de artículo de la pieza de recambio. (Part N°)
5. Denominación de la pieza. (Denomination)
6. Indíquese la medida al solicitar un artículo que se expide por metros.

ORDERING SPARE PARTS

To avoid errors in delivery, please give the following information when ordering spare parts:

1. Type of machine.
2. Roller serial number.
3. Quantity required.
4. Part number.
5. Parts denomination.
6. Dimensions when ordering per length.

ORDINI DI RICAMBI

Per evitare errori nelle consegne di ricambi, Vi preghiamo di comunicarci le seguenti informazioni al momento dell'ordinazione:

1. Tipo di macchina.
2. Numero di serie della macchina.
3. Quantità dei pezzi desiderati. (Quantity)
4. Numero di codice del pezzo. (Part N°)
5. Descrizione del pezzo di ricambio. (Denomination)
6. Misura, in caso di ordine per metro.

COMMANDE DE PIÈCES DE RECHANGE

Les indications suivantes doivent être fournies lors de la commande de pièces de rechange, afin d'éviter toute erreur de livraison:

1. Type de machine.
2. Numéro de série.
3. Quantité désirée de pièce de rechange. (Quantity)
4. Numéro de la pièce de rechange. (Part N°)
5. Dénomination de la pièce de rechange. (Denomination)
6. Longueur en cas de commande au mètre.

YOUR AGENT/DEALER:

PÄRMETIKETT

För att undvika fel vid reservdelsbeställning finns här nedan två etiketter som passar i fickorna på pärmarnas ryggar. På dessa kan man se från vilket vältnummer av aktuell maskin reservdelskatalogen gäller. Gör så här:

1. Tag denna sida ur pärmen.
2. Klipp ut etiketten till **VÄNSTER** (1) och sätt in den i fickan på **DENNA** pärmens rygg.
3. Finns det en etikett till **HÖGER** (2), kan denna användas på pärmen för **FÖREGÅENDE** utgåva av denna katalog.
4. Kasta detta papper.

KATALOG-BESCHRIFTUNG

Zur Vermeidung von Fehlern bei der Ersatzteilbestellung benutzen Sie bitte die unteren Beschriftungen, um die Kataloge auf der Rückseite zu kennzeichnen. Auf der Beschriftung ist angegeben, für welche Maschinennummern der jeweilige Katalog gültig ist. Ablauf:

1. Nehmen Sie dieses Blatt aus dem Katalog.
2. Schneiden Sie die **LINKE** Beschriftung (1) aus. Schieben Sie die Beschriftung in die tasche auf **DEM** Katalogrücke.
3. Sollte die Beschriftung unten **RECHTS** (2) mitgeliefert werden, kennzeichnen Sie damit bitte die **ÄLTERE** Ausführung dieses Kataloges.
4. Den Rest dieses Blattes bitte vernichten.

ETIQUETA PARA LA CARPETA

Para evitar errores al pedir repuestos utilicen las etiquetas abajo descritas para identificar los catálogos en la parte trasera de la carpeta. En la etiqueta se ven los números de referencia de la serie para la cual es válido el catálogo. Instrucciones:

1. Quitar esta página de la carpeta.
2. Corta la etiqueta **IZQUIERDA** (1) y ponerla en **ESTA** carpeta en la parte trasera.
3. Si hay una etiqueta en la parte **DERECHA** (2) se puede utilizar en la carpeta para el catálogo que **PRECEDE** a esta.
4. Tirar esta hoja.

BINDER LABEL

To avoid errors when ordering spare parts use the labels below to identify the catalogues on the back of the binder. The label contain the serial number range for which the catalogue is valid. Do like this:

1. Remove this page from the binder.
2. Cut out the **LEFT** label (1) and put it on **THIS** binders back.
3. If there is a label to the **RIGHT** (2), it can be used on the binder for **PRECEDING** issue of this catalogue.
4. Throw away this paper.

ETICHETTAPOSTASULRACCOGLITORE

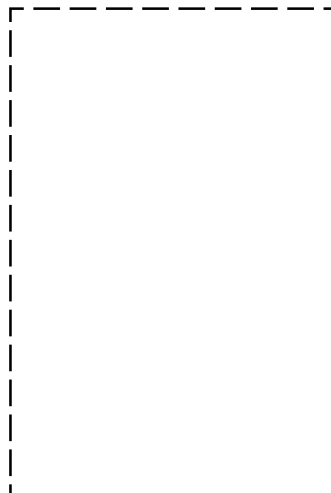
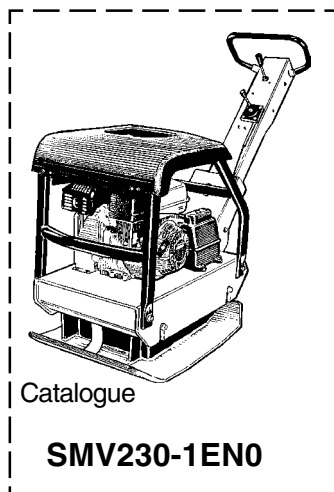
Per evitare errori quando ordinate pezzi di ricambio, usate le etichette in calce che servono ad identificare i cataloghi sul retro del raccoglitore. L'etichetta indica il numero di matricola delle macchine prese in considerazione nel catalogo.

1. Rimuovete questa pagina dal raccoglitore.
2. Ritagliate l'etichetta posta a **SINISTRA** (1) e ponetela sul retro **DEL** raccoglitore.
3. Se trovate anche un'etichetta sulla **DESTRA** (2), ritagliatela e ponetela sul raccoglitore relativo alla **PRECEDENTE** edizione del catalogo.
4. Distruggete questo foglio.

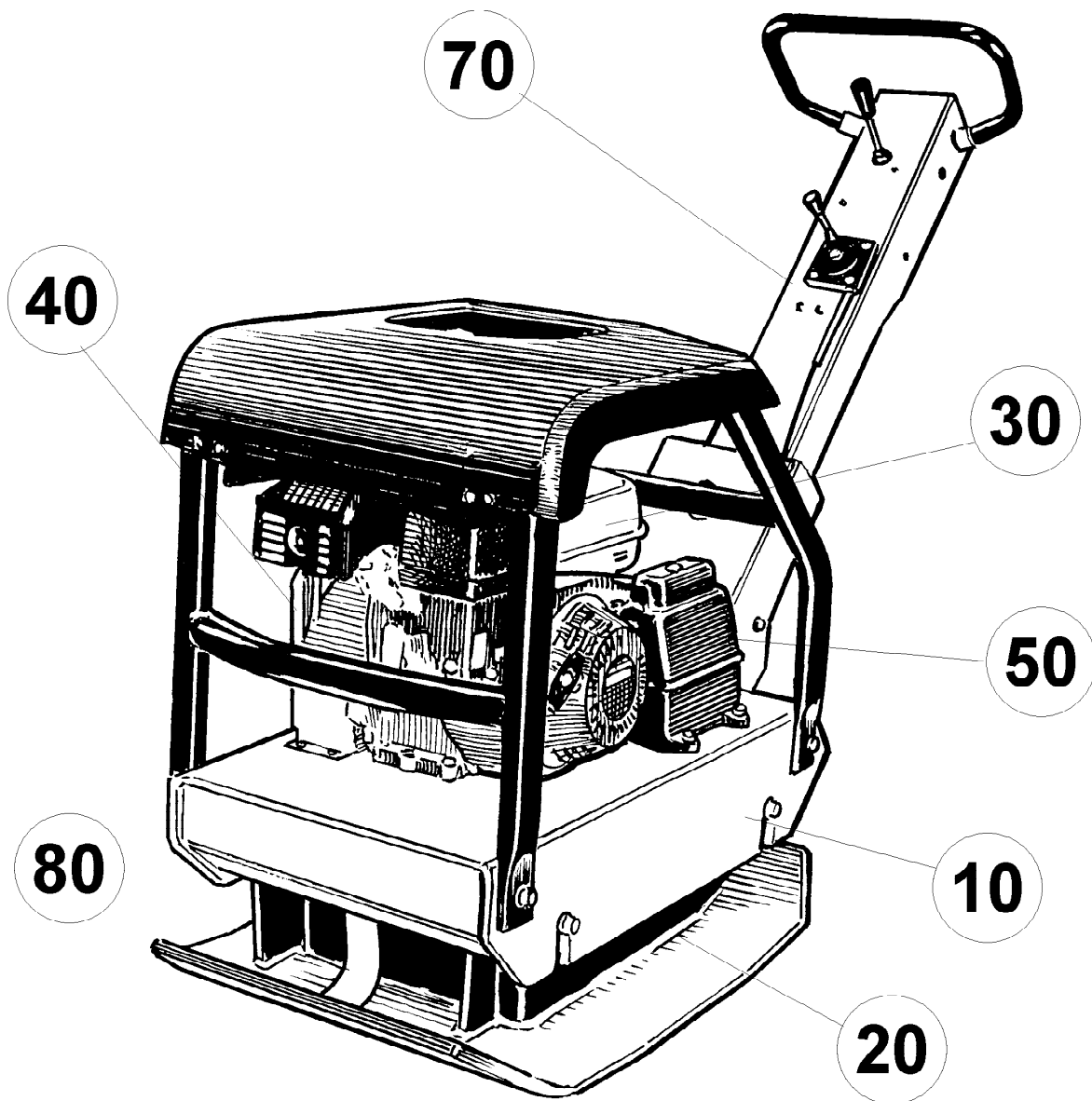
ETIQUETAGE DU CATALOGUE

Afin d'éviter des erreurs lors de commandes de pièces de rechange, nous vous conseillons d'apposer les marquages ci-dessous à l'arrière du classeur, pour identifier les catalogues. Ce marquage indique les numéros de série pour lesquels le catalogue est adapté. Il convient de procéder de la façon suivante:

1. Retirez cette page du classeur.
2. Découpez l'étiquette de **GAUCHE** (1), et apposez-la à l'arrière de **CE** catalogue.
3. Si il y a une étiquette à **DROITE** (2), vous pourrez l'apposer sur le classeur de l'édition **PRECEDENTE** du catalogue.
4. Détruire cette feuille.



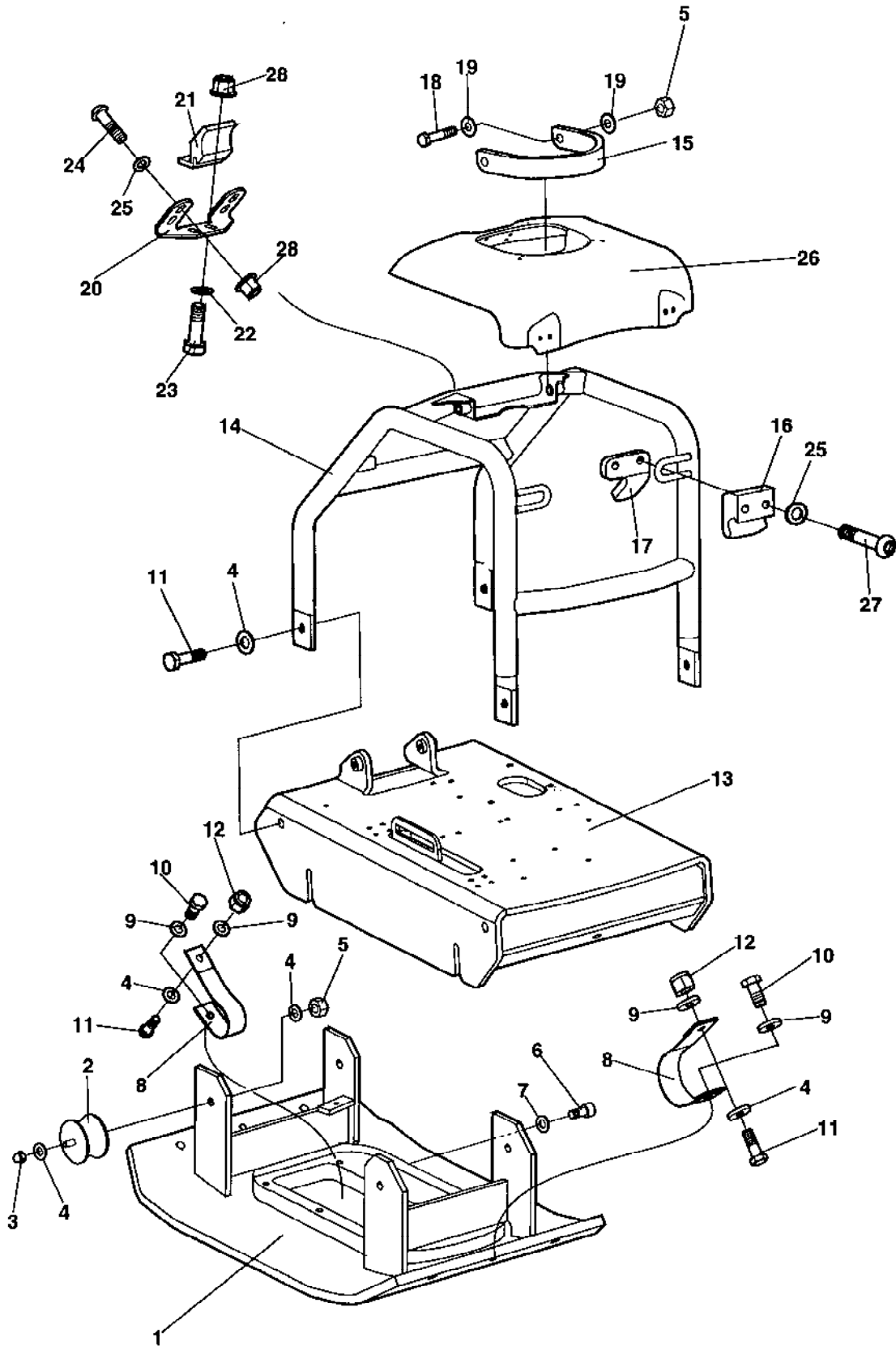
MV230	2
Ground plate, engine plate and frame	4
Ground plate, engine plate and frame	6
Eccentric element	8
Eccentric element	10
Engine	12
Engine Hatz 1B20	14
Engine installation	16
Power transmission	18
Power transmission	20
Hydraulic system	22
Hydraulic system	24
Hydraulic oil tank	26
Handle and throttle control	28
Handle and throttle control	30
Decals and documentation	32
Decals and documentation	34



Ref. No.	Part No.	Rem. Qty	Description	Code
10			Ground plate, engine plate and frame (Page 4)	
20			Eccentric element (Page 8)	
30			Engine (Page 12)	
40			Power transmission (Page 18)	
50			Hydraulic system (Page 22)	
70			Handle and throttle control (Page 28)	
80			Decals and documentation (Page 32)	

Ground plate, engine plate and frame

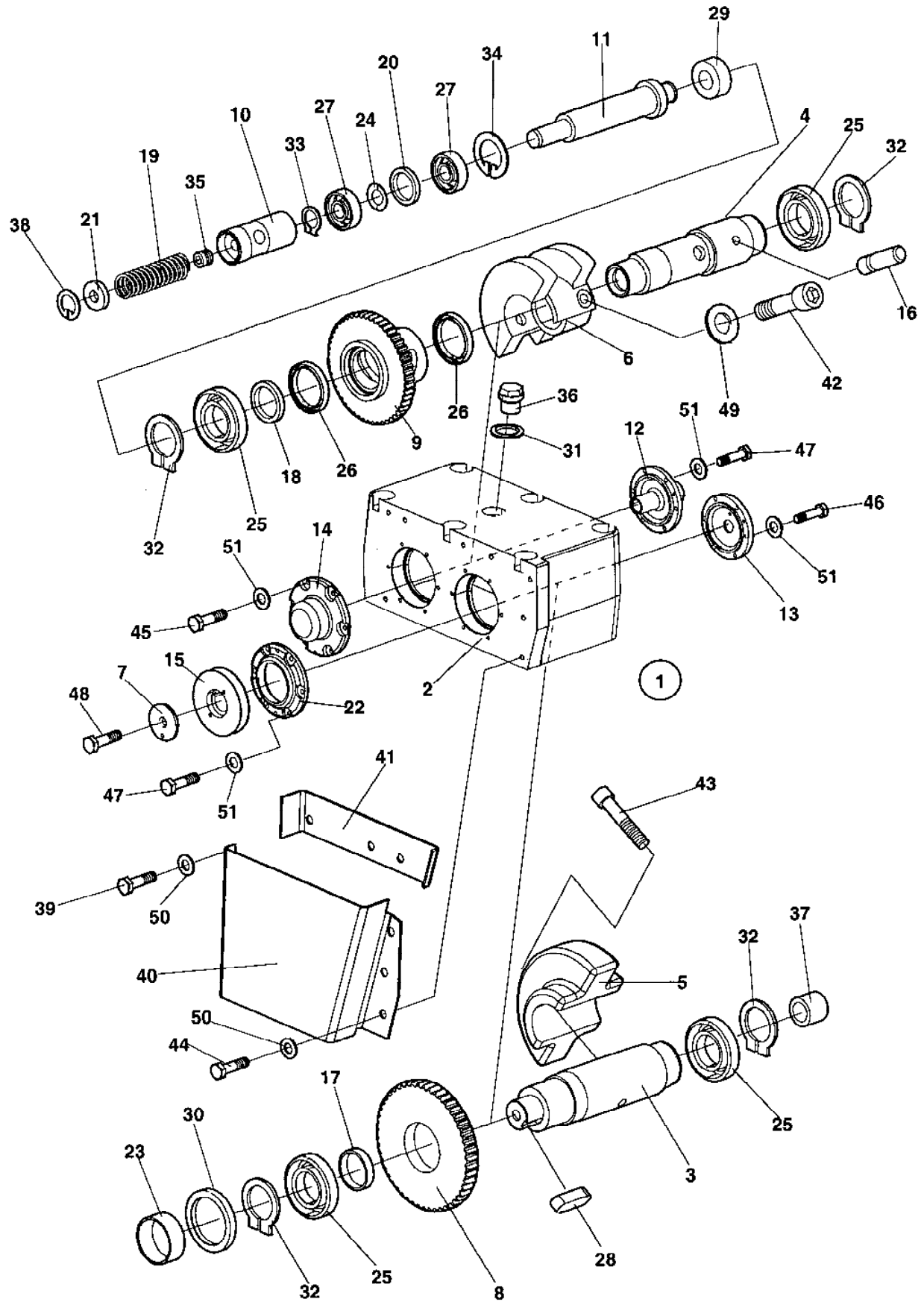
Ref. No.	Part No.	Rem.	Qty	Description	Code
10				Ground plate, engine plate and frame (Page 6)	



Ground plate, engine plate and frame

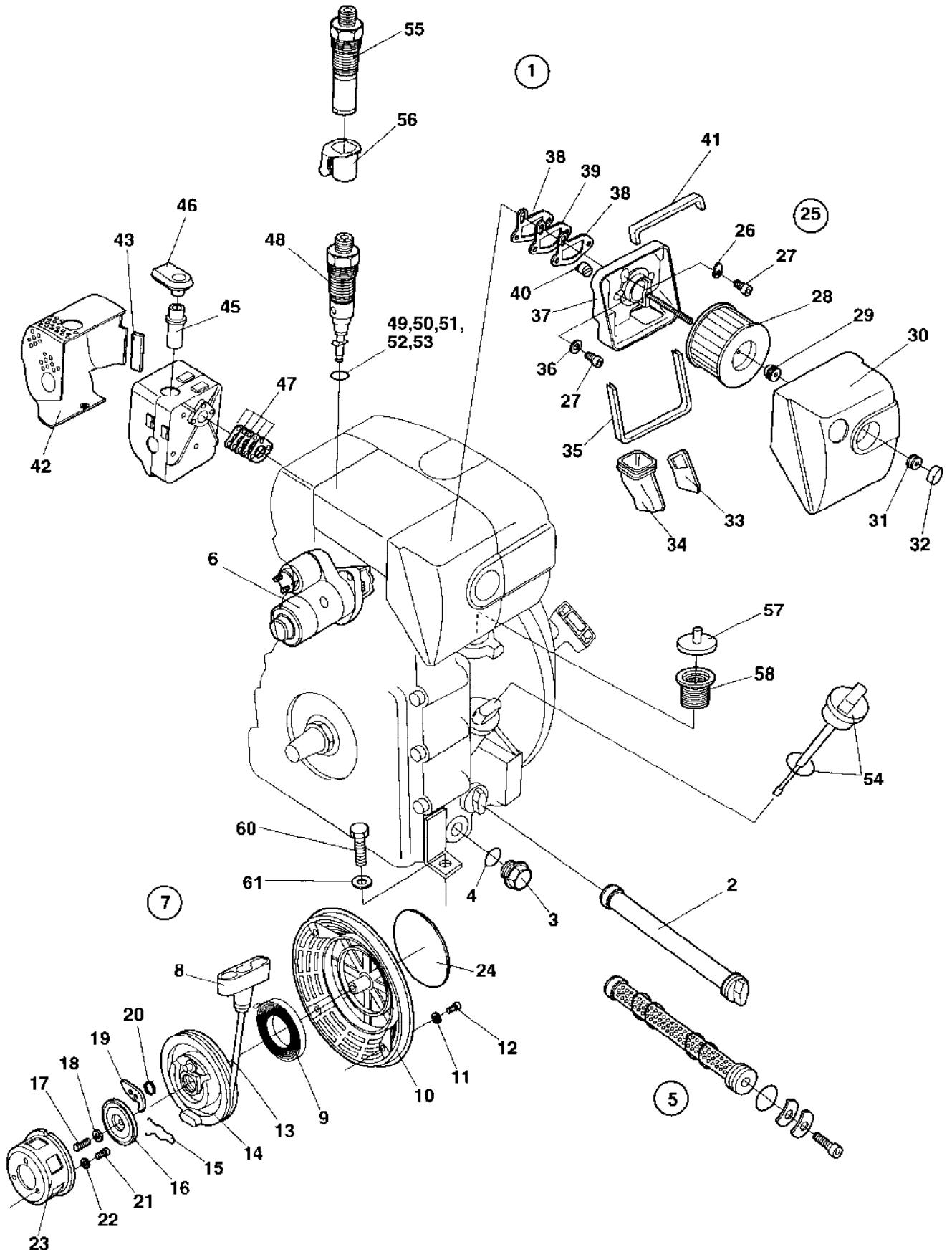
Ref. No.	Part No.	Rem.	Qty	Description	Code
1	280621		1	Ground plate	
2	280750		4	Shock absorber	B
3	581013		4	Nut	
4	904231		12	Washer 13x24x2	
5	570007		6	Nut	
6	508028		1	Screw	
7	747541		1	Washer	D
8	100505036		2	Strap	D
9	924543		4	Washer	
10	500051		2	Screw M12-1,75x25 8,8	
11	500037		6	Screw M12-1,75x35 8,8	
12	586019		2	Lock nut M12	
13	386986		1	Engine base	
14	387113		1	Protective frame	
15	284237		1	Lifting lug	
16	387260		2	Clip	
17	387705		2	Stop	
18	500049		2	Screw M12-1,75x60 8.8	
19	904742		4	Washer	
20	387261		1	Bracket	
21	387259		1	Clip	
22	904228		2	Washer 6,4x12x1,5	
23	500040		2	Screw M6-1x20 8,8	
24	791524		4	Screw	
25	904655		8	Washer	
26	387257		1	Hood	
27	904798		4	Screw	
28	902285		6	Lock nut M6	

Ref. No.	Part No.	Rem. Qty	Description	Code
10			Eccentric element (Page 10)	



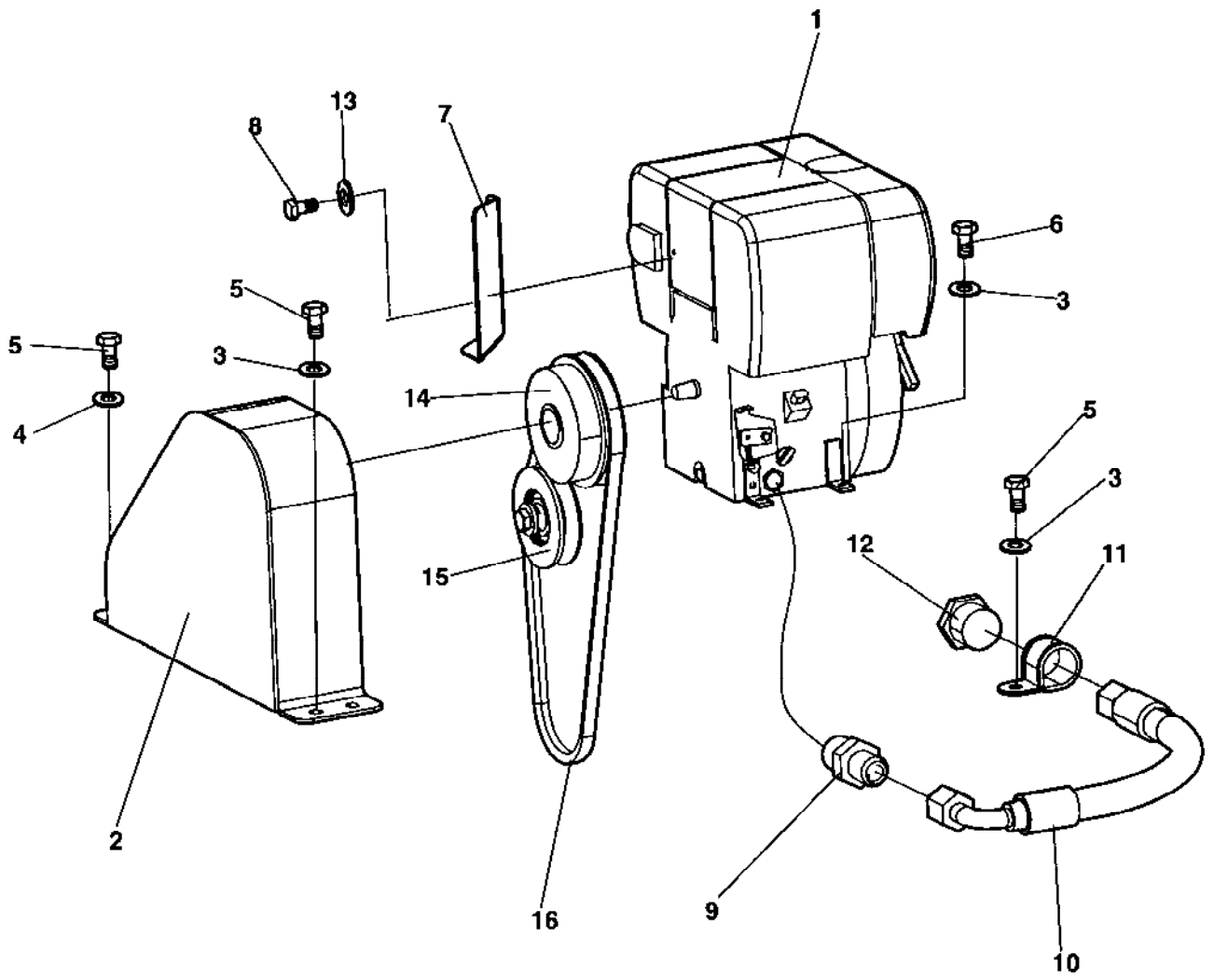
Ref. No.	Part No.	Rem.	Qty	Description	Code
1		1	1	Eccentric element, cpl	
2	280662	1	1	.Eccentric housing	
3	280630	1	1	.Shaft	
4	280631	1	1	.Shaft	
5	280663	1	1	.Eccentric weight	D
6	280669	1	1	.Eccentric	D
7	280654	1	1	.Washer	
8	280670	1	1	.Gear	D
9	280659	1	1	.Changer	D
10	280637	1	1	.Piston	
11	280638	1	1	.Piston	
12	280639	1	1	.Cylinder	
13	280640	1	1	.Cover	
14	280642	1	1	.Cover	
15	280643	1	1	.Pulley	
16	280644	1	1	.Pin	
17	280645	1	1	.Spacer ring	
18	280646	1	1	.Spacer	
19	280677	1	1	.Spring	
20	280647	1	1	.Spacer ring	
21	280648	1	1	.Washer	
22	280850	1	1	.Cover	
23	928795	1	1	.Sleeve	
24	929291	10	10	.Cup spring	
25	903363	4	4	.Ball bearing	D
26	929287	2	2	.Ball bearing	D
27	929286	2	2	.Ball bearing	D
28	350029	1	1	.Key	
29	281276	1	1	.Sealing ring	
30	928794	1	1	.Sealing ring	D
31	162011	1	1	.Washer, sealing	D
32	150017	4	4	.Retaining ring	D
33	150002	1	1	.Retaining ring	
34	151039	1	1	.Retaining ring	
35	928241	1	1	.Screw	
36	232143	1	1	.Plug	
37	928893	1	1	.Sleeve	
38	151007	1	1	.Retaining ring	
39	500022	2	2	.Screw M8-1,25x30 8,8	
40	280871	1	1	.V-belt cover	
41	280858	1	1	.V-belt protection, inner	
42	508031	1	1	.Screw	
43	508042	1	1	.Screw	
44	500053	6	6	.Screw M8-1,25x20 8,8	
45	500013	6	6	.Screw M6-1x16 8,8	
46	500075	6	6	.Screw M6-1x25 8,8	
47	500040	12	12	.Screw M6-1x20 8,8	
48	500028	1	1	.Screw M10-1,5x25 8,8	
49	904231	1	1	.Washer 13x24x2	
50	904229	8	8	.Washer 8,4x16x1,5	
51	904228	12	12	.Washer 6,4x12x1,5	
52	929454	6	6	Screw	
53	904213	6	6	Washer 13x30x4	

Ref. No.	Part No.	Rem. Qty	Description	Code
10			Engine Hatz 1B20 (Page 14)	
20			Engine installation (Page 16)	



Ref. No.	Part No.	Rem.	Qty	Description	Code
1	387703		1	Engine, cpl	
2				Not used on this model	
3	937002		1	.Plug	D
4	937003		1	.O-ring	B
5	937415		1	.Oil strainer, cpl	
6			1	.Starter	
7	936982		1	.Recoil starter, cpl	D
8	936983		1	..Knob	B
9	936985		1	..Spiral spring	B
10	936986		1	..Housing	
11	936987		4	..Washer	
12	936988		4	..Screw	
13	936989		1	..Rope	B
14	936990		1	..Reel	
15	936991		1	..Spring	B
16	936992		1	..Friction plate	
17	936993		1	..Screw	
18	936994		1	..Washer	
19	936995		1	..Ratchet	
20	936996		1	..O-ring	
21	936997		3	.Screw	
22	936998		3	.Washer	
23	936999		1	.Starter pulley	
24	937000		1	.Decal	
25			1		
26	937011		1	.Washer	
27	937012		3	.Screw	
28	937013		1	.Filter element	A
29	937014		1	.Screw	
30	937015		1	.Protection cover	
31	937016		1	.Rubber sleeve	
32	937017		1	.Nut	
33	937018		1	.Plate	
34	937019		1	.Rubber hose	
35	937020		1	.Edge trim	
36	239517		2	.Washer	
37	937021		1	.Air filter house	
38	937022		2	.Gasket	
39	937023		1	.Gasket	
40	937024		1	.Vent nipple	
41	937010		1	.Edge trim	
42	937007		1	.Protection cover	
43	937008		1	.Edge trim	
44	937009		1	.Muffler	
45	937005		1	.Exhaust tube	
46	937004		1	.Exhaust pipe	
47	937006		6	.Gasket	
48	936976		1	.Injection pump cpl	D
49	936977		1	..O-ring 0,2 mm	
50	936978		1	..O-ring 0,3 mm	
51	936979		1	..O-ring 0,4 mm	
52	936980		1	..O-ring 0,5 mm	
53	936981		1	..O-ring 0,6 mm	
54	937608		1	.Oil dipstick	
55	938968		1	.Nozzle	
56	937606		1	.Sleeve	
57	937604		1	.Lock	
58	937605		1	.Socket	
60		A	4	Screw	
61		A	4	Washer	

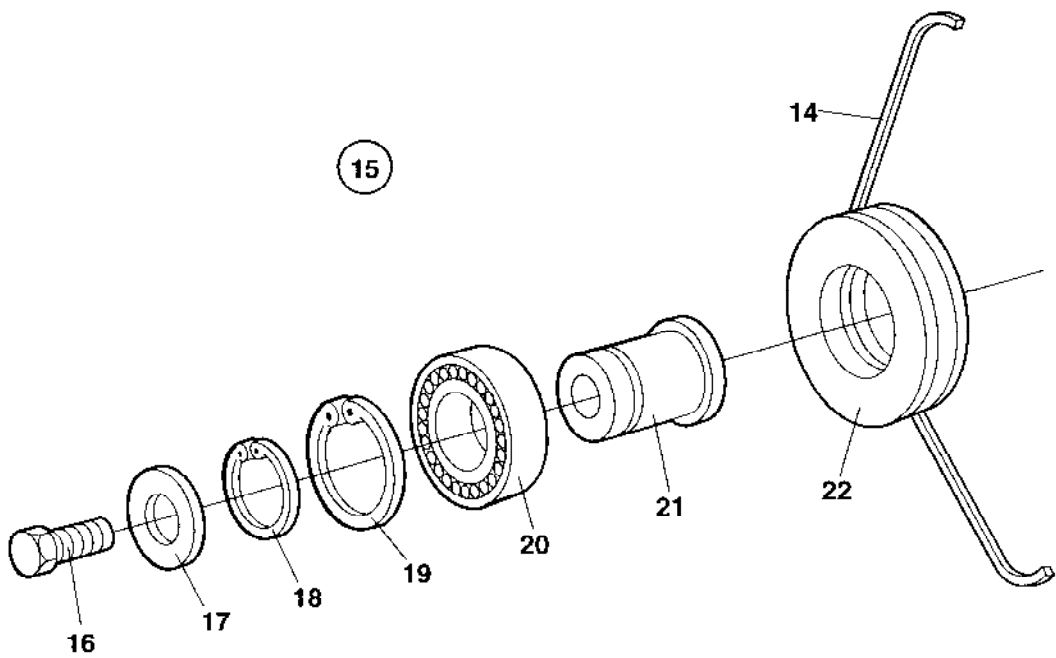
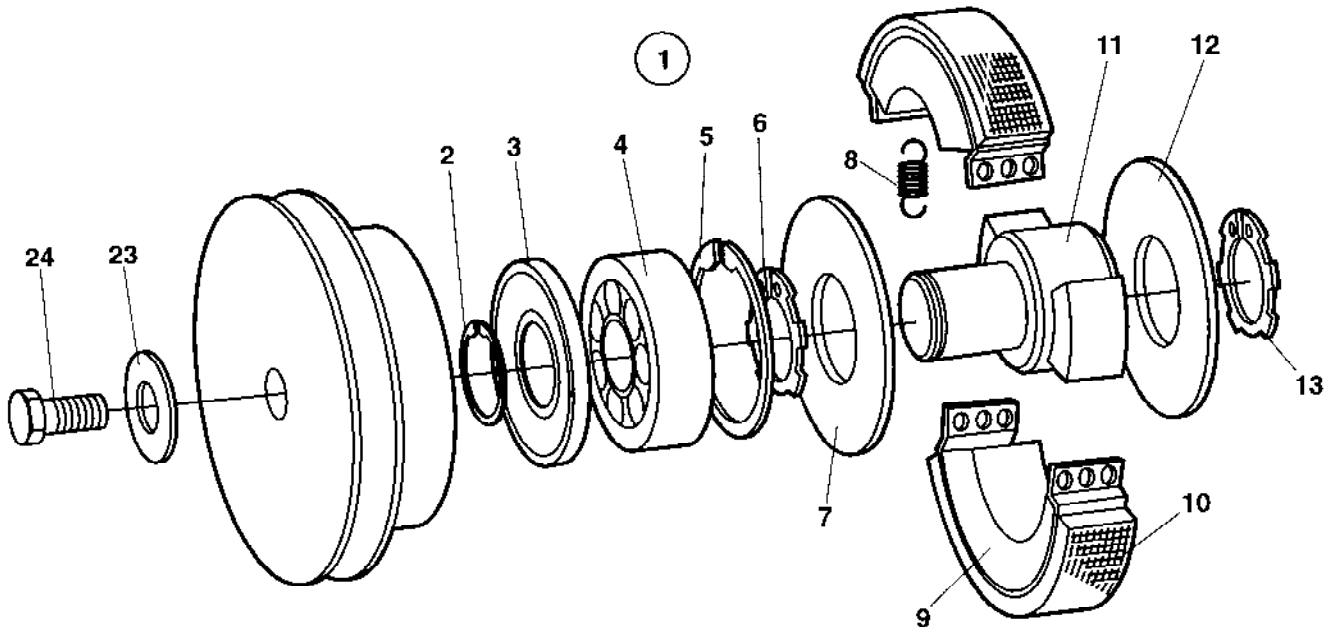
A) See section engine installation



Ref. No.	Part No.	Rem.	Qty	Description	Code
1				Engine Hatz 1B20 (Page 14)	
2	387301		1	V-belt guard	
3	904229		7	Washer 8,4x16x1,5	
4	904556		2	Washer 8,4x16x3,0	
5	500019		5	Screw M8-1,25x16 8,8	
6	500021		4	Screw M8-1,25x25 8,8	
7	387577		1	Deflector	
8	508002		1	Screw	
9	903925		1	Connector	
10	482328		1	Hydraulic hose	
11	921056		1	Pipe clamp	
12	232095		1	Plug	
13	904228		1	Washer 6,4x12x1,5	
14		A	1	Clutch	
15		A	1	Idler, cpl	
16		A	1	V-belt	

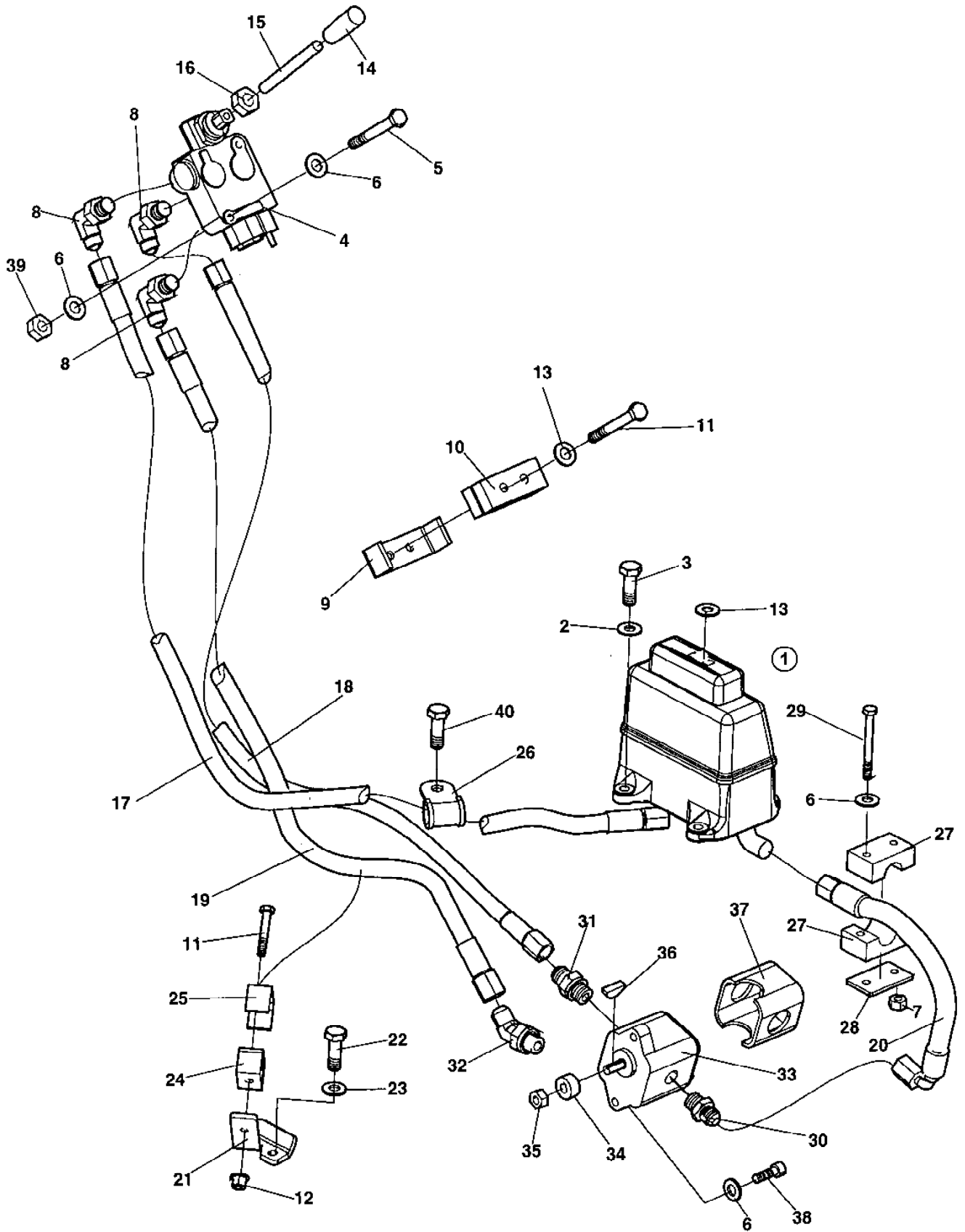
A) See section power transmission

Ref. No.	Part No.	Rem.	Qty	Description	Code
10				Power transmission (Page 20)	

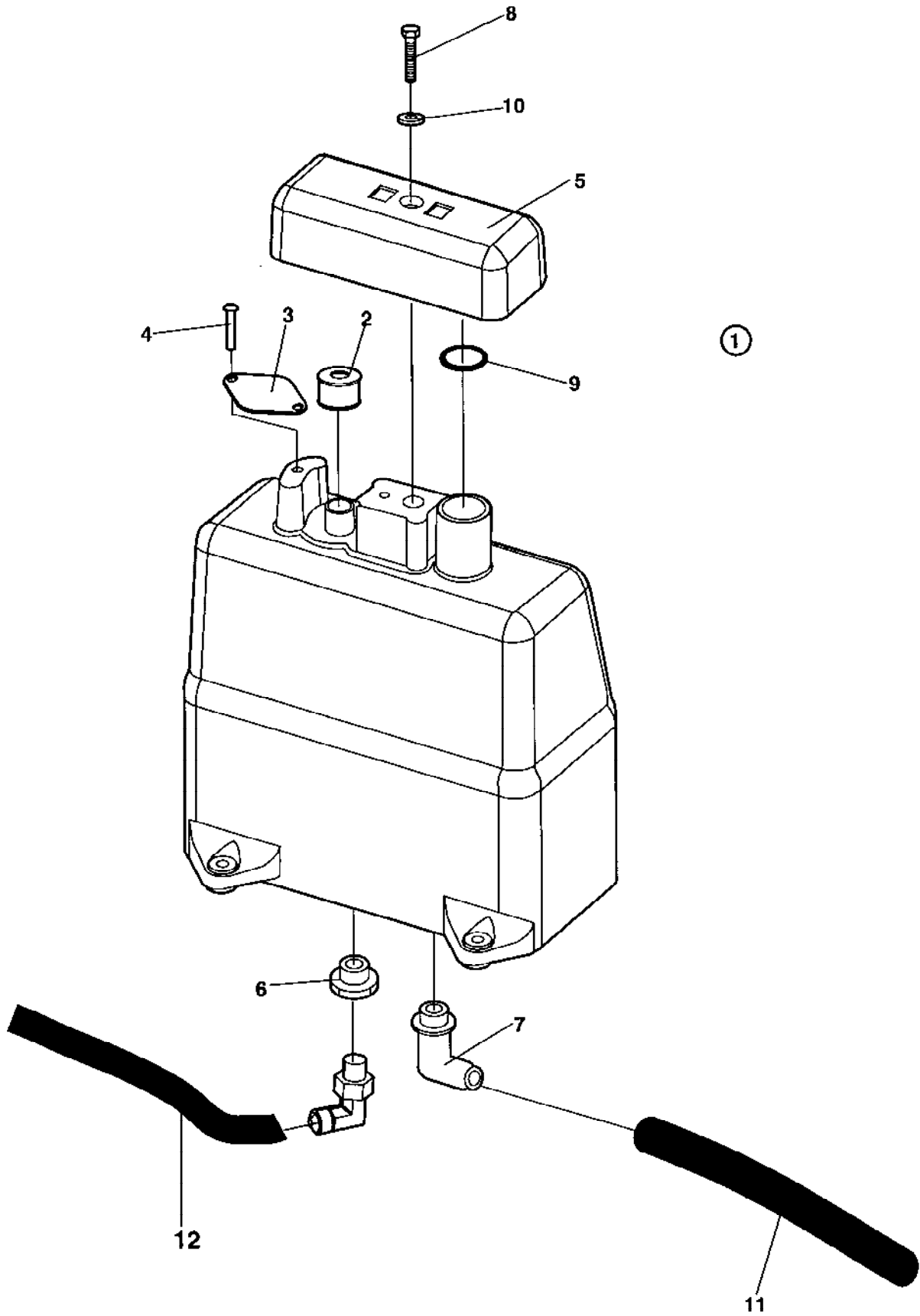


Ref. No.	Part No.	Rem.	Qty	Description	Code
1	282734		1	Centrifugal clutch, cpl	
2	150015		2	.Snap ring	
3	100901023		1	.Nilos ring	
4	111178		1	.Ball bearing	D
5	151023		1	.Retaining ring	
6	239539		1	.Retaining ring	
7	239857		1	.Cover	
8	239732		4	.Spring	B
9	912477		2	.Centrifugal weight	D
10	100901018		2	.Clutch lining	
11	937031		1	.Hub	
12	935808		1	.Cover	
13	239734		1	.Retaining ring	
14	281336		1	V-belt	B
15	280835		1	Idler, cpl	D
16	500046		1	.Screw M12x30H 8,8 FZB	
17	904213		1	.Washer 13x30x4	
18	150009		1	.Snap ring	
19	151017		1	.Snap ring	
20	111114		1	.Ball bearing	
21	280837		1	.Shaft	
22	280836		1	.V-belt pulley	D
23	904734		1	.Washer 8,4x26x4	
24	500021		1	.Screw M8-1,25x25 8,8	

Ref. No.	Part No.	Rem.	Qty	Description	Code
10				Hydraulic system (Page 24)	



Ref. No.	Part No.	Rem.	Qty	Description	Code
1			1	Hydraulic oil tank (Page 26)	
2	904230		4	Washer 10,5x22x2	
3	500029		4	Screw M10-1,5x30 8,8	
4	282993		1	Valve	
5	500079		2	Screw M6-1x50 8,8	
6	904228		8	Washer 6,4x12x1,5	
7	902285		2	Lock nut M6	
8	234481		3	Connector	
9	100505023		1	Bracket	
10	280534		2	Rubber block	
11	500025		5	Screw M8-1,25x50 8,8	
12	902286		1	Lock nut M8	
13	904229		5	Washer 8,4x16x1,5	
14	903821		1	Grab handle	
15	100505042		1	Rod	
16	570005		2	Nut M8	
17	483611		1	Hydraulic hose	
18	483612		1	Hydraulic hose	
19	483613		1	Hydraulic hose	
20	482328		1	Hydraulic hose	
21	387511		1	Bracket	
22	500053		1	Screw M8-1,25x20 8,8	
23	904556		1	Washer 8,4x16x3,0	
24	280537		1	Rubber block	
25	280538		1	Bracket	
26	921072		1	Clamp	
27	923876		1	Clamp	
28	923859		1	Cover plate	
29	500187		2	Screw	
30	791145		1	Straight adapter	
31	334463		1	Connector	
32	234992		1	Adapter	
33	383562		1	Hydraulic pump	
34	928894		1	Sleeve	
35	570004		1	Nut M6	
36	928789		1	Key	
37	280540		1	Cover	
38	508025		2	Screw	
39	586002		2	Lock nut M6	
40	500022		1	Screw M8-1,25x30 8,8	

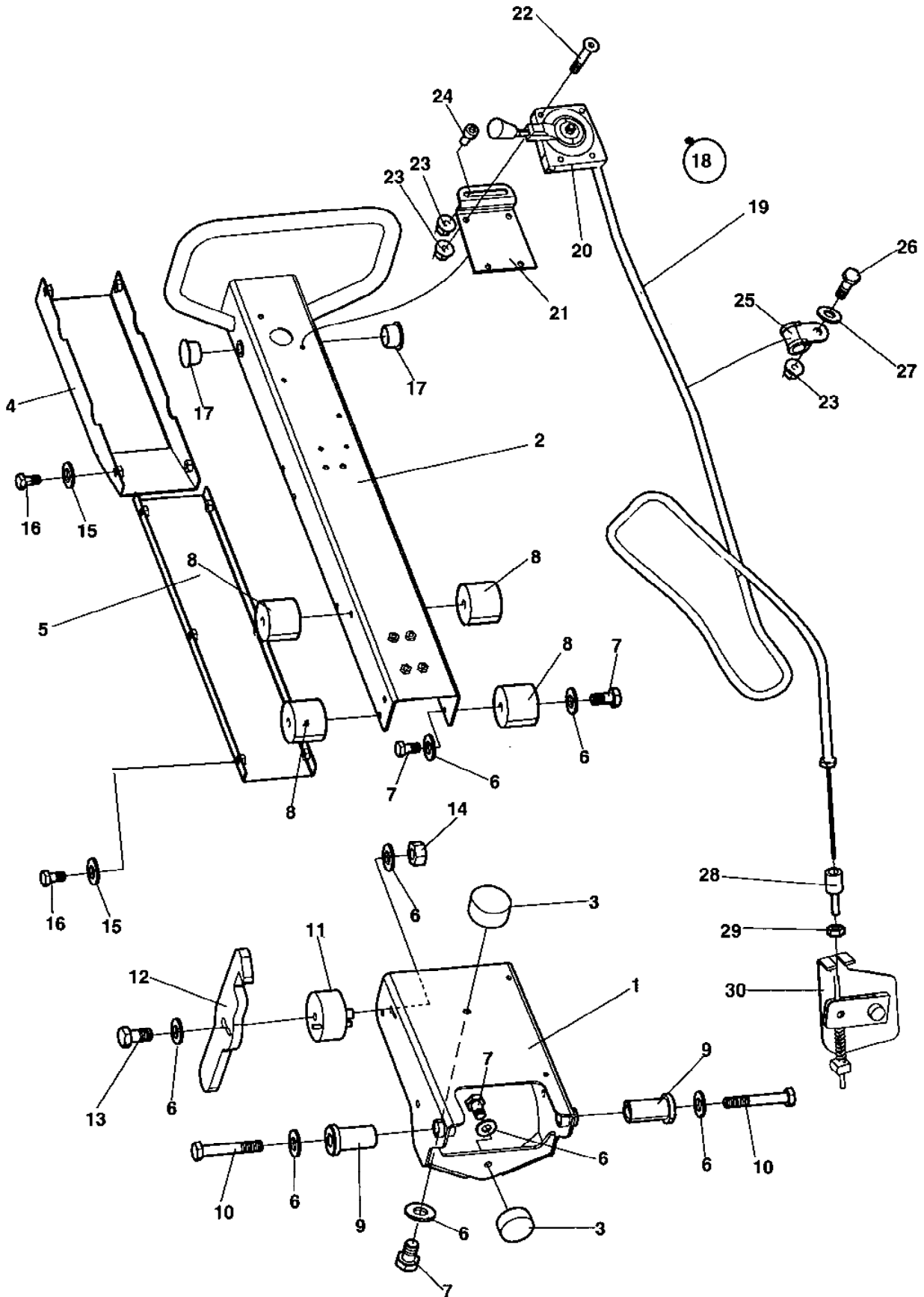


Ref. No.	Part No.	Rem.	Qty	Description	Code
1			1	Hydraulic oil tank, CPL	
2	381566		1	.Air filter	
3	381563		1	.Holder	
4	904960		2	.Screw	
5	381385		1	.Cover	
6	383039		1	.Reduction	
7	334238		1	.Adapter	
8	500021		1	.Screw M8-1,25x25 8,8	
9	160110		1	.O-ring	
10	234481		1	.Connector	
11		A		Hydraulic hose	
12		A		Hydraulic hose	

A) See section hydraulic system

Handle and throttle control

Ref. No.	Part No.	Rem.	Qty	Description	Code
10				Handle and throttle control (Page 30)	

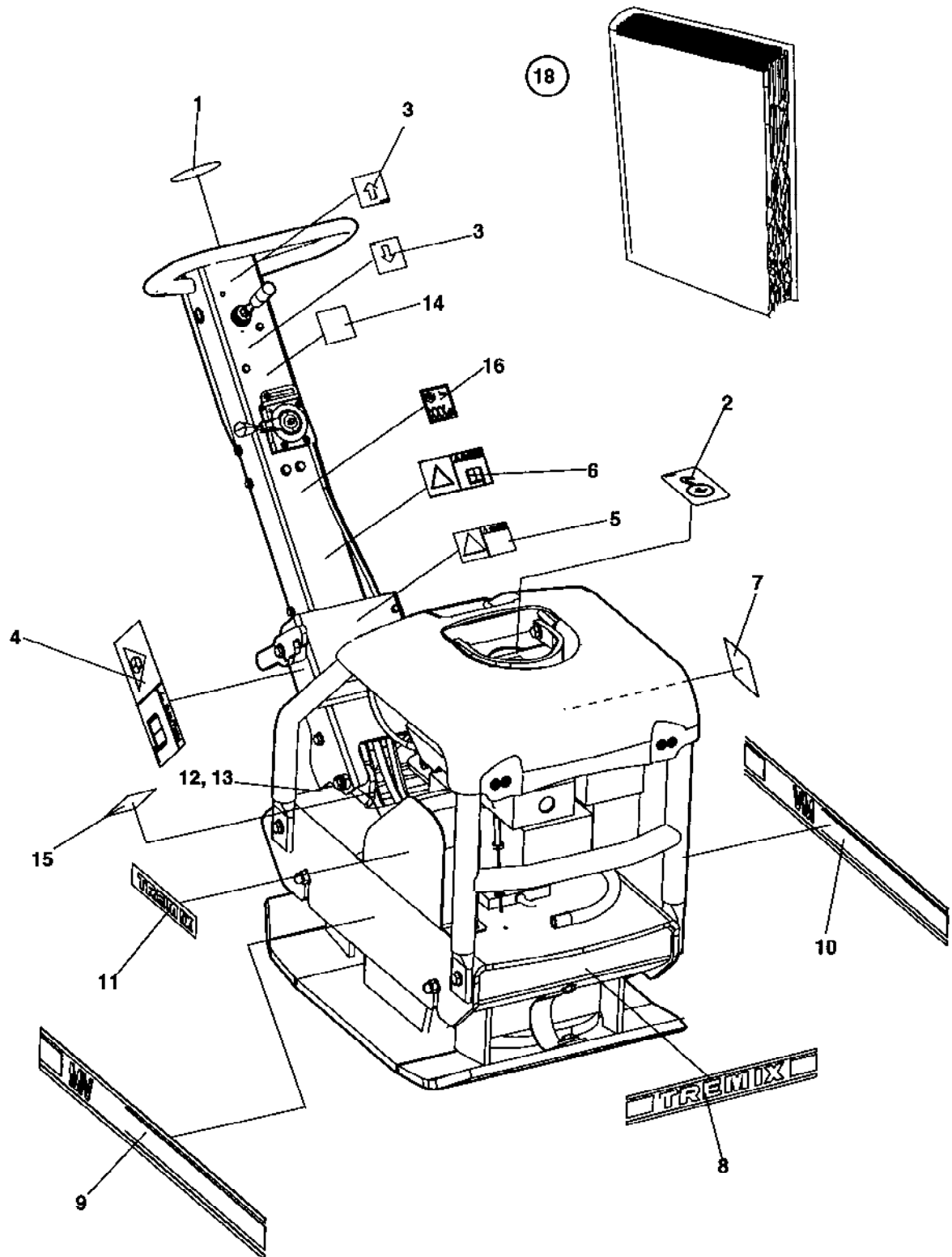


Ref. No.	Part No.	Rem.	Qty	Description	Code
1	386988		1	Bracket	
2	282904		1	Handle	
3	791373		2	Shock absorber	
4	282901		1	Cover, upper	
5	282903		1	Cover, lower	
6	904230		14	Washer 10,5x22x2	
7	500043		10	Screw M10x16H 8,8	
8	100900827		4	Shock absorber	
9	100504729		2	Bushing	
10	500109		2	Screw M10-1,5x65 8,8	
11	385387		1	Shock absorber	
12	382496		1	Hook	
13	500048		1	Screw M10-1,5x20 8,8	
14	570006		1	Nut M10	
15	904229		10	Washer 8,4x16x1,5	
16	500019		10	Screw M8-1,25x16 8,8	
17	184111		2	Plug	
18	380709		1	Throttle controls	
19	380710		1	Throttle cable	
20	455019		1	Throttle handle	
21	284365		1	Bracket	
22	924875		3	Screw M6x35	
23	902285		6	Lock nut M6	
24	508001		1	Screw	
25	791341		2	Clamp	
26	500040		2	Screw M6-1x20 8,8	
27	904228		2	Washer 6,4x12x1,5	
28	284107		1	Nipple	
29	570004		2	Nut M6	
30		A	1	Speed control	

A) Supplied with engine

Decals and documentation

Ref. No.	Part No.	Rem.	Qty	Description	Code
10				Decals and documentation (Page 34)	



Ref. No.	Part No.	Rem.	Qty	Description	Code
1	281898		1	Decal, ear protection	
2	281269		1	Decal "LIFT"	
3	284278		2	Decal	
4	908229		1	Safety decal	
5	904785		1	Safety decal	
6	904680		1	Decal "Read instruction manual"	
7	272373		1	Decal "HYDRAULIC OIL"	
8	387752		1	Decal "TREMIX"	
9	387755		1	Decal "TREMIX"	
10	387756		1	Decal "TREMIX"	
11	387757		1	Decal "TREMIX"	
12			1	Sign plate	
13	527002		4	Drive screw	
14	284285		1	Decal	
15	903832		1	Safety decal	
16	791296		1	Decal "Sound power level"	
17	903424		1	Decal "HOT SURFACE"	
18			1	Documentation	
			1	Spare parts catalogue SMV230	
			1	Instructions IMV230	
			1	Warrenty registration certificate	
			1	Warrenty conditions	
			1	CE declaration	

NUMERICAL INDEX

Part Number	Page	Part Number	Page	Part Number	Page
100504729	31	334238	27	903424	35
100505023	25	334463	25	903821	25
100505036	7	350029	11	903832	35
100505042	25	380709	31	903925	17
100900827	31	380710	31	904213	11,21
100901018	21	381385	27	904228	7,11,17
100901023	21	381563	27		,25,31
111114	21	381566	27	904229	11,17
111178	21	382496	31		,25,31
150002	11	383039	27	904230	25,31
150009	21	383562	25	904231	7,11
150015	21	385387	31	904556	17,25
150017	11	386986	7	904655	7
151007	11	386988	31	904680	35
151017	21	387113	7	904734	21
151023	21	387257	7	904742	7
151039	11	387259	7	904785	35
160110	27	387260	7	904798	7
162011	11	387261	7	904960	27
184111	31	387301	17	908229	35
232095	17	387511	25	912477	21
232143	11	387577	17	921056	17
234481	25,27	387703	15	921072	25
234992	25	387705	7	923859	25
239517	15	387752	35	923876	25
239539	21	387755	35	924543	7
239732	21	387756	35	924875	31
239734	21	387757	35	928241	11
239857	21	455019	31	928789	25
272373	35	482328	17,25	928794	11
280534	25	483611	25	928795	11
280537	25	483612	25	928893	11
280538	25	483613	25	928894	25
280540	25	500013	11	929286	11
280621	7	500019	17,31	929287	11
280630	11	500021	17,21	929291	11
280631	11		,27	929454	11
280637	11	500022	11,25	935808	21
280638	11	500025	25	936976	15
280639	11	500028	11	936977	15
280640	11	500029	25	936978	15
280642	11	500037	7	936979	15
280643	11	500040	7,11,31	936980	15
280644	11	500043	31	936981	15
280645	11	500046	21	936982	15
280646	11	500048	31	936983	15
280647	11	500049	7	936985	15
280648	11	500051	7	936986	15
280654	11	500053	11,25	936987	15
280659	11	500075	11	936988	15
280662	11	500079	25	936989	15
280663	11	500109	31	936990	15
280669	11	500187	25	936991	15
280670	11	508001	31	936992	15
280677	11	508002	17	936993	15
280750	7	508025	25	936994	15
280835	21	508028	7	936995	15
280836	21	508031	11	936996	15
280837	21	508042	11	936997	15
280850	11	527002	35	936998	15
280858	11	570004	25,31	936999	15
280871	11	570005	25	937000	15
281269	35	570006	31	937002	15
281276	11	570007	7	937003	15
281336	21	581013	7	937004	15
281898	35	586002	25	937005	15
282734	21	586019	7	937006	15
282901	31	747541	7	937007	15
282903	31	791145	25	937008	15
282904	31	791296	35	937009	15
282993	25	791341	31	937010	15
284107	31	791373	31	937011	15
284237	7	791524	7	937012	15
284278	35	902285	7,25,31	937013	15
284285	35	902286	25	937014	15
284365	31	903363	11	937015	15

NUMERICAL INDEX

Part Number	Page	Part Number	Page	Part Number	Page
937016	15				
937017	15				
937018	15				
937019	15				
937020	15				
937021	15				
937022	15				
937023	15				
937024	15				
937031	21				
937415	15				
937604	15				
937605	15				
937606	15				
937608	15				
938968	15				

