

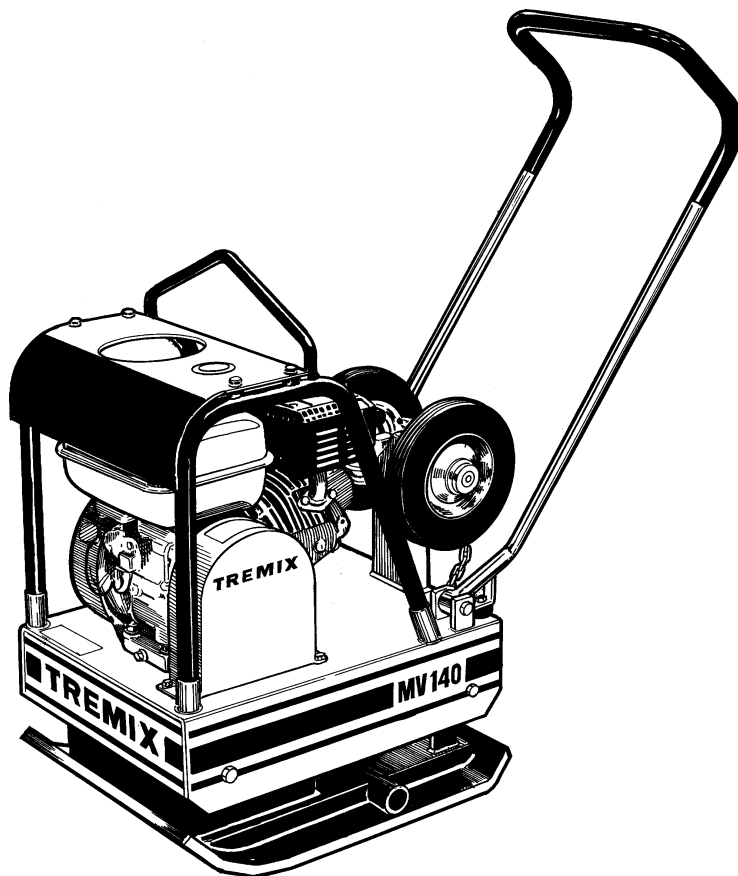
TREMIX

Soil compactor

MV 140

SPARE PARTS CATALOGUE

SMV140-1EN1



TREMIX®

Metso Construction Equipment AB
Stensåtravägen 9, Box226
SE- 127 24 Skärholmen, Sweden
Tel: +46 8 603 32 00 Telefax: +46 8 646 72 61

Forward and reverse soil compactor MV 140 Spare Parts Catalogue

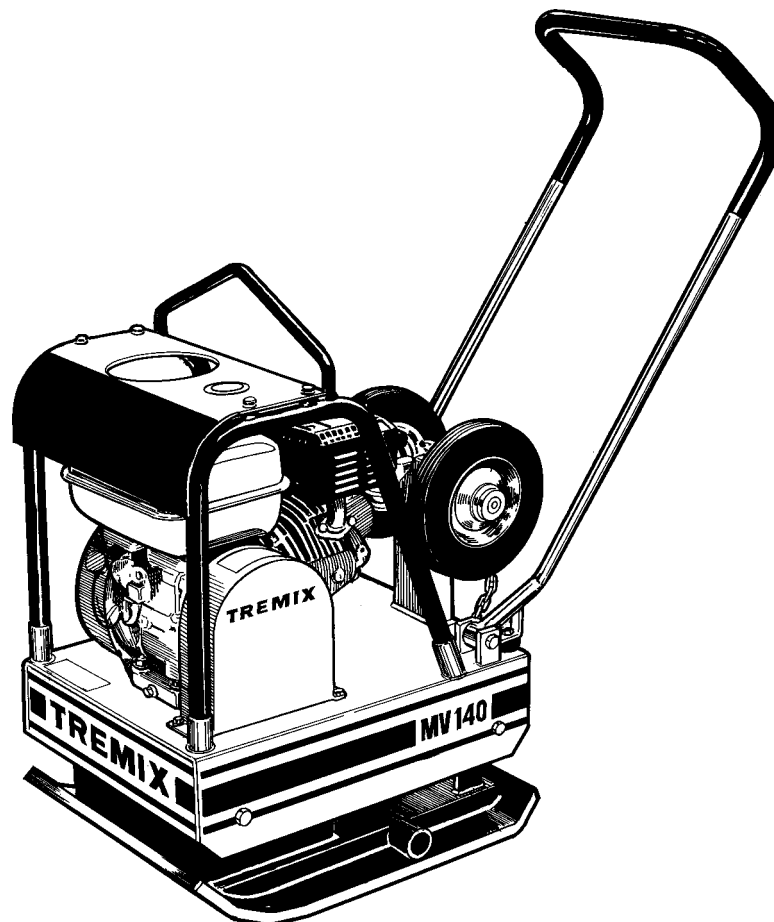
SMV140 -1EN1

Engines:

*Yanmar L40AE Honda GX160K1SX
Robin EY20D*

Published catalogue issues valid for these compactors:

<i>Catalogue</i>	<i>Issue date</i>
<i>SMV140-1EN1</i>	<i>2002-03</i>



RESERVDLSBESTÄLLNING

Följande uppgifter ska lämnas vid beställning av reservdelar för att undvika leveransfel:

1. Maskintyp.
2. Vältensserienummer.
3. Antal av önskad reservdel.
4. Reserdelens artikelnummer.
5. Reservdelens benämning.
6. Måttuppgifter vid beställning av metervara.

ERSATZTEILBESTELLUNG

Zur Vermeidung von Fehllieferungen sind bei der Bestellung von Ersatzteilen folgende Angaben zu machen:

1. Maschinentyp.
2. Herstellungsnummer.
3. Bestellmenge. (Quantity)
4. Ersatzteilnummer. (Part N°)
5. Ersatzteilbenennung. (Denomination)
6. Massangaben bei Bestellung von Meterware.

PEDIDO DE RECAMBIOS

Para evitar errores en las entregas, deberán indicarse los siguientes datos al hacer un pedido de recambios:

1. Tipo de máquina.
2. Número de serie.
3. Cantidad de piezas deseadas. (Quantity)
4. Número de artículo de la pieza de recambio. (Part N°)
5. Denominación de la pieza. (Denomination)
6. Indíquese la medida al solicitar un artículo que se expide por metros.

ORDERING SPARE PARTS

To avoid errors in delivery, please give the following information when ordering spare parts:

1. Type of machine.
2. Roller serial number.
3. Quantity required.
4. Part number.
5. Parts denomination.
6. Dimensions when ordering per length.

ORDINI DI RICAMBI

Per evitare errori nelle consegne di ricambi, Vi preghiamo di comunicarci le seguenti informazioni al momento dell'ordinazione:

1. Tipo di macchina.
2. Numero di serie della macchina.
3. Quantità dei pezzi desiderati. (Quantity)
4. Numero di codice del pezzo. (Part N°)
5. Descrizione del pezzo di ricambio. (Denomination)
6. Misura, in caso di ordine per metro.

COMMANDE DE PIÈCES DE RECHANGE

Les indications suivantes doivent être fournies lors de la commande de pièces de rechange, afin d'éviter toute erreur de livraison:

1. Type de machine.
2. Numéro de série.
3. Quantité désirée de pièce de rechange. (Quantity)
4. Numéro de la pièce de rechange. (Part N°)
5. Dénomination de la pièce de rechange. (Denomination)
6. Longueur en cas de commande au mètre.

YOUR AGENT/DEALER:

PÄRMETIKETT

För att undvika fel vid reservdelsbeställning finns här nedan två etiketter som passar i fickorna på pärmarnas ryggar. På dessa kan man se från vilket vältnummer av aktuell maskin reservdelskatalogen gäller. Gör så här:

1. Tag denna sida ur pärmen.
2. Klipp ut etiketten till VÄNSTER (1) och sätt in den i fickan på DENNA pärmens rygg.
3. Finns det en etikett till HÖGER (2), kan denna användas på pärmen för FÖREGÅENDE utgåva av denna katalog.
4. Kasta detta papper.

KATALOG-BESCHRIFTUNG

Zur Vermeidung von Fehlen bei der Ersatzteilbestellung benutzen Sie bitte die unteren Beschriftungen, um die Kataloge auf der Rückseite zu kennzeichnen. Auf der Beschriftung ist angegeben, für welche Maschinennummern der jeweilige Katalog gültig ist. Ablauf:

1. Nehmen Sie dieses Blatt aus dem Katalog.
2. Schneiden Sie die LINKE Beschriftung (1) aus. Schieben Sie die Beschriftung in die tasche auf DEM Katalogrücke.
3. Sollte die Beschriftung unten RECHTS (2) mitgeliefert werden, kennzeichnen Sie damit bitte die ÄLTERE Ausführung dieses Kataloges.
4. Den Rest dieses Blattes bitte vernichten.

ETIQUETA PARA LA CARPETA

Para evitar errores al pedir repuestos utilicen las etiquetas abajo descritas para identificar los catálogos en la parte trasera de la carpeta. En la etiqueta se ven los números de referencia de la serie para la cual es válido el catálogo. Instrucciones:

1. Quitar esta página de la carpeta.
2. Corta la etiqueta IZQUIERDA (1) y ponerla en esta carpeta en la parte trasera.
3. Si hay una etiqueta en la parte DERECHA (2) se puede utilizar en la carpeta para el catálogo que PRECEDE a esta.
4. Tirar esta hoja.

BINDER LABEL

To avoid errors when ordering spare parts use the labels below to identify the catalogues on the back of the binder. The label contain the serial number range for which the catalogue is valid. Do like this:

1. Remove this page from the binder.
2. Cut out the LEFT label (1) and put it on THIS binders back.
3. If there is a label to the RIGHT (2), it can be used on the binder for PRECEDING issue of this catalogue.
4. Throw away this paper.

ETICHETTA POSTA SUL RACCOGLITORE

Per evitare errori quando ordinate pezzi di ricambio, usate le etichette in calce che servono ad identificare i cataloghi sul retro del raccoglitore. L'etichetta indica il numero di matricola delle macchine prese in considerazione nel catalogo.

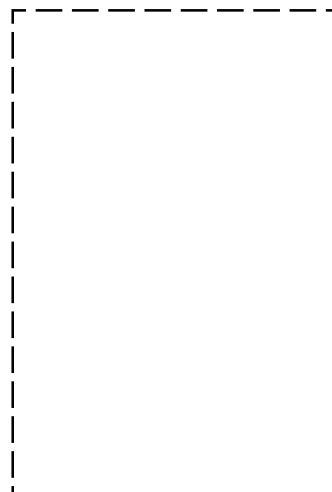
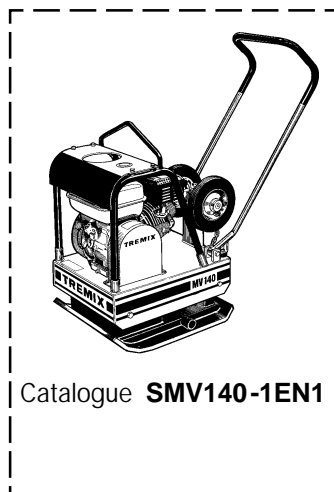
1. Rimuovete questa pagina dal raccoglitore.
2. Ritagliate l'etichetta posta a SINISTRA (1) e ponetela sul retro DEL raccoglitore.
3. Se trovate anche un'etichetta sulla DESTRA (2), ritagliatela e ponetela sul raccoglitore relativo alla PRECEDENTE edizione del catalogo.
4. Distruggete questo foglio.

ETIQUETAGE DU CATALOGUE

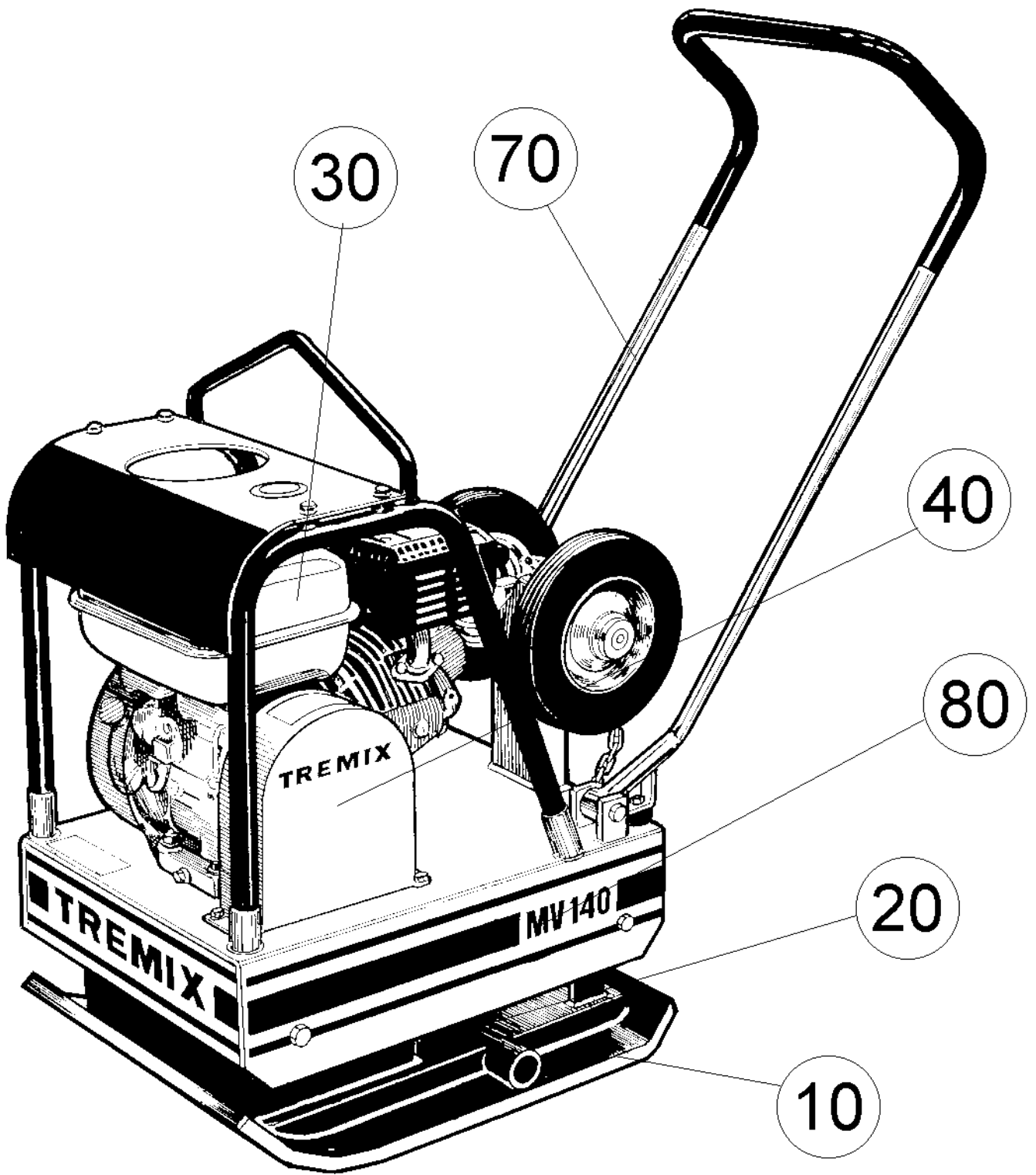
Afin d'éviter des erreurs lors de commandes de pièces de rechange, nous vous conseillons d'apposer les marquages ci-dessous à l'arrière du classeur, pour identifier les catalogues. Ce marquage indique les numéros de série pour lesquels le catalogue est adapté. Il convient de procéder de la façon suivante:

1. Retirez cette page du classeur.
2. Découpez l'étiquette de GAUCHE (1), et apposez-la à l'arrière de CE catalogue.
3. Si il y a une étiquette à DROITE (2), vous pourrez l'apposer sur le classeur de l'edition PRECEDENTE du catalogue.
4. Détruire cette feuille.

1.



MV140	2
Groundplate and engineplate	4
Groundplate and engineplate	6
Eccentric element	8
Eccentric element	10
Engine	12
Petrol engine Honda GX160 K1SX	14
Petrol engine Robin EY20D	16
Engine Yanmar L40 AE	18
Power transmisson	20
Clutch	22
Handle	24
Handle	26
Decals and documentation	28
Decals and documentation	30

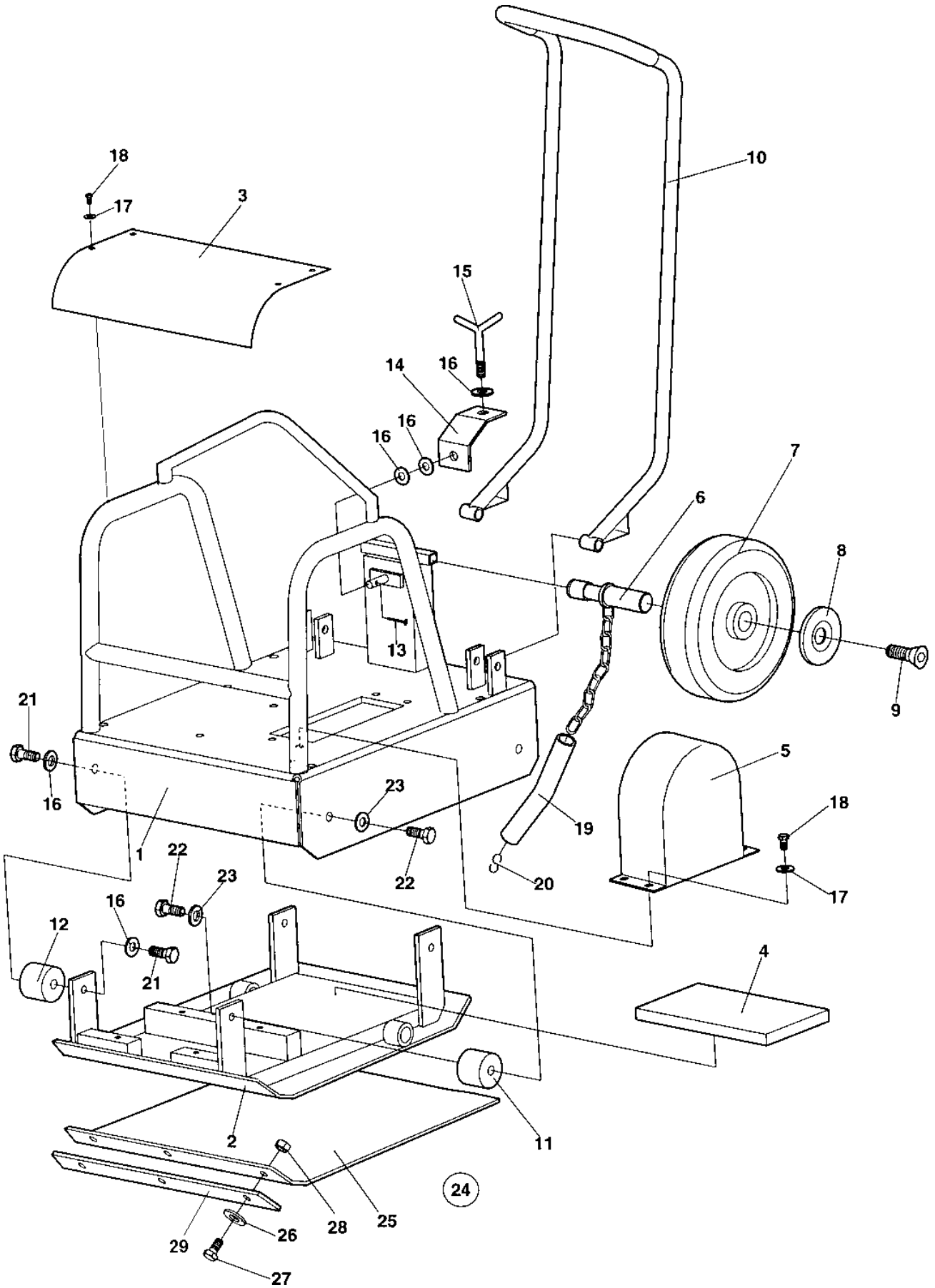


Ref. No.	Part No.	Rem.	Qty	Description	Code
10				Groundplate and engineplate (Page 4)	
20				Eccentric element (Page 8)	
30				Engine (Page 12)	
40				Power transmisson (Page 20)	
70				Handle (Page 24)	
80				Decals and documentation (Page 28)	



Groundplate and engineplate

Ref. No.	Part No.	Rem.	Qty	Description	Code
10			1	Groundplate and engineplate (Page 6)	



Groundplate and engineplate

Ref. No.	Part No.	Rem.	Qty	Description	Code
1	100501301	E	1	Engine plate	
	100 501330	C	1	Engine plate	
2	100501302		1	Ground plate	
3	150136400	D	1	Protective plate	
4	100501318		1	Rubber plate	
5	100501215	E	1	Belt guard	
	100507040	C	1	Belt guard	
6	100501316		2	Shaft	
7	100901607		2	Wheel	
8	100501347		2	Washer	
9	513022		2	Screw	
10		A	1	Handle	
11	100900811		1	Shock absorber	
12	100900807		3	Shock absorber	
13	630012		1	Cotter pin	
14	100501315		1	Clamp	
15	100501226		1	Lock screw	
16	904230		9	Washer 10,5x22x2	
17	904229		8	Washer 8,4x16x1,5	
18	500018		8	Screw M8-1,25x12 8,8	
19	244008	B	2XL	Hose	
20	100900426		2	S-hook	
21	500048		6	Screw M10-1,5x20 8,8	
22	500035		2	Screw	
23	904231		2	Washer 13x24x2	
24		F	1	Polyurethane plate, cpl	
25	100501282	F	1	.Polyurethane plate	
26	615044	F	3	.Conical spring washer	D
27	100500161	F	3	.Screw	
28	100570006	F	3	.Nut	
29	100501283	F	1	.Bracket	

A) See section Handle

B) L=0,290 m

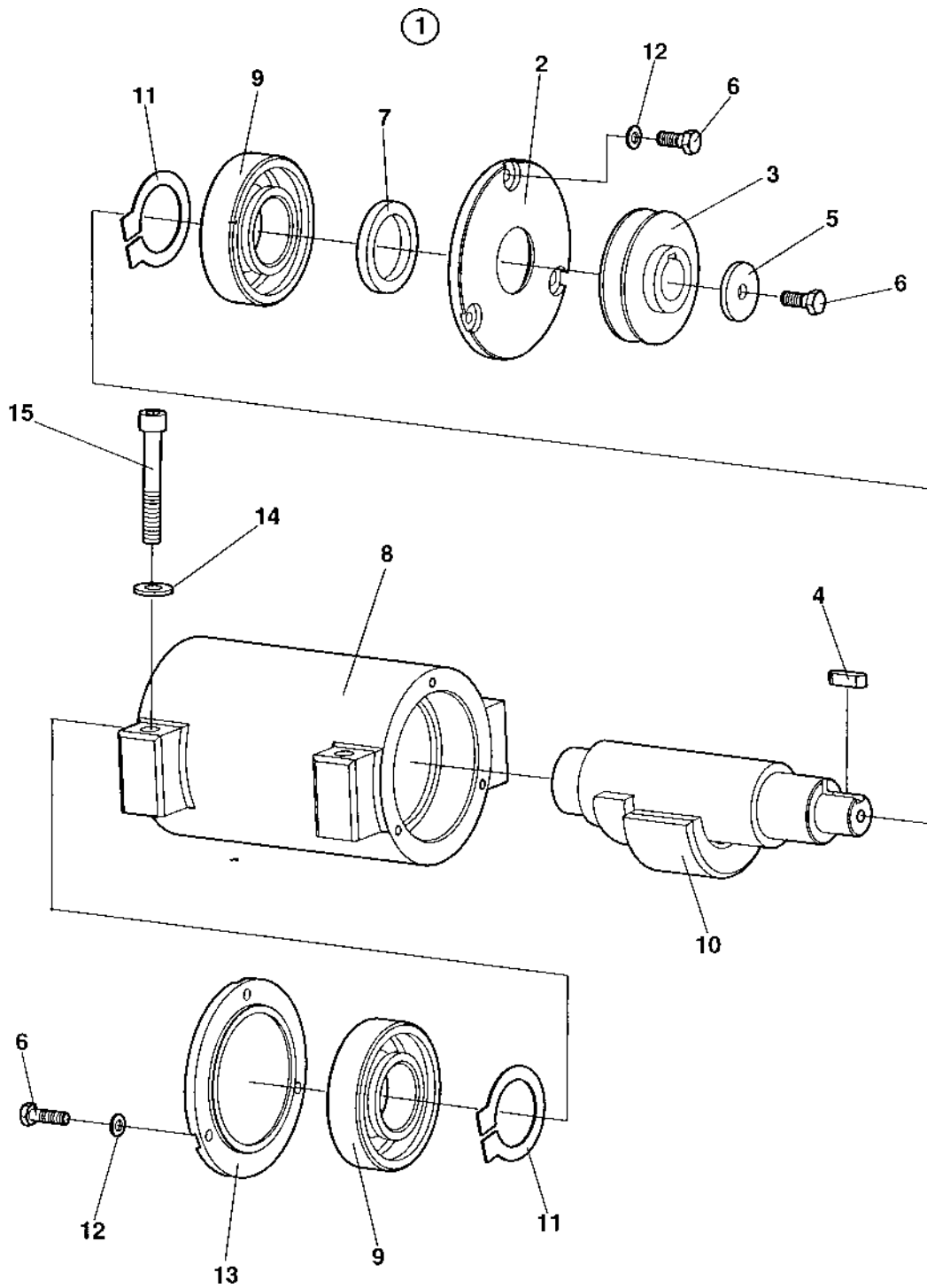
C) Engine Yanmar

D) Engine Honda

E) Engine Honda and Robin

F) Option

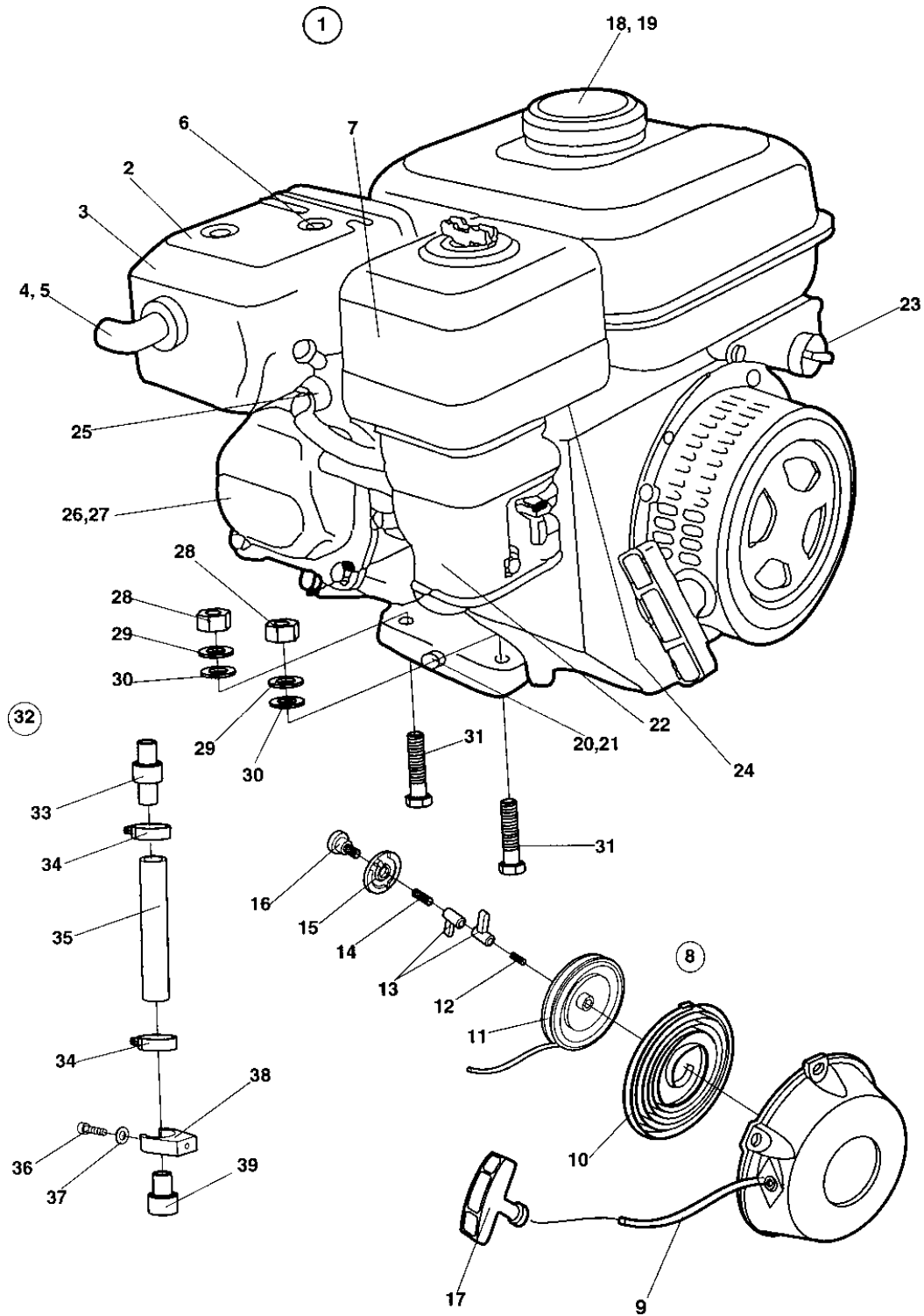
Ref. No.	Part No.	Rem.	Qty	Description	Code
10				Eccentric element (Page 10)	



Ref. No.	Part No.	Rem.	Qty	Description	Code
1			1	Eccentric element, cpl	
2	150110301		1	.Bearing cover	
3	100501108		1	.Pulley	
4	350030		1	.Key	
5	100502016		1	.Washer	
6	500021		7	.Screw M8-1,25x25 8,8	
7	100900711		1	.Sealing ring	
8	100501312		1	.Housing	
9	111093		2	.Bearing	D
10	100501309		1	.Eccentric shaft	
11	134007		2	.Nilos ring	D
12	600006		6	.Washer	
13	150110300		1	.Bearing cover	
14	904231		4	Washer 13x24x2	
15	500117		4	Screw	

Engine

Ref. No.	Part No.	Rem.	Qty	Description	Code
10				Petrol engine Honda GX160 K1SX (Page 14)	
20				Petrol engine Robin EY20D (Page 16)	
30				Engine Yanmar L40 AE (Page 18)	



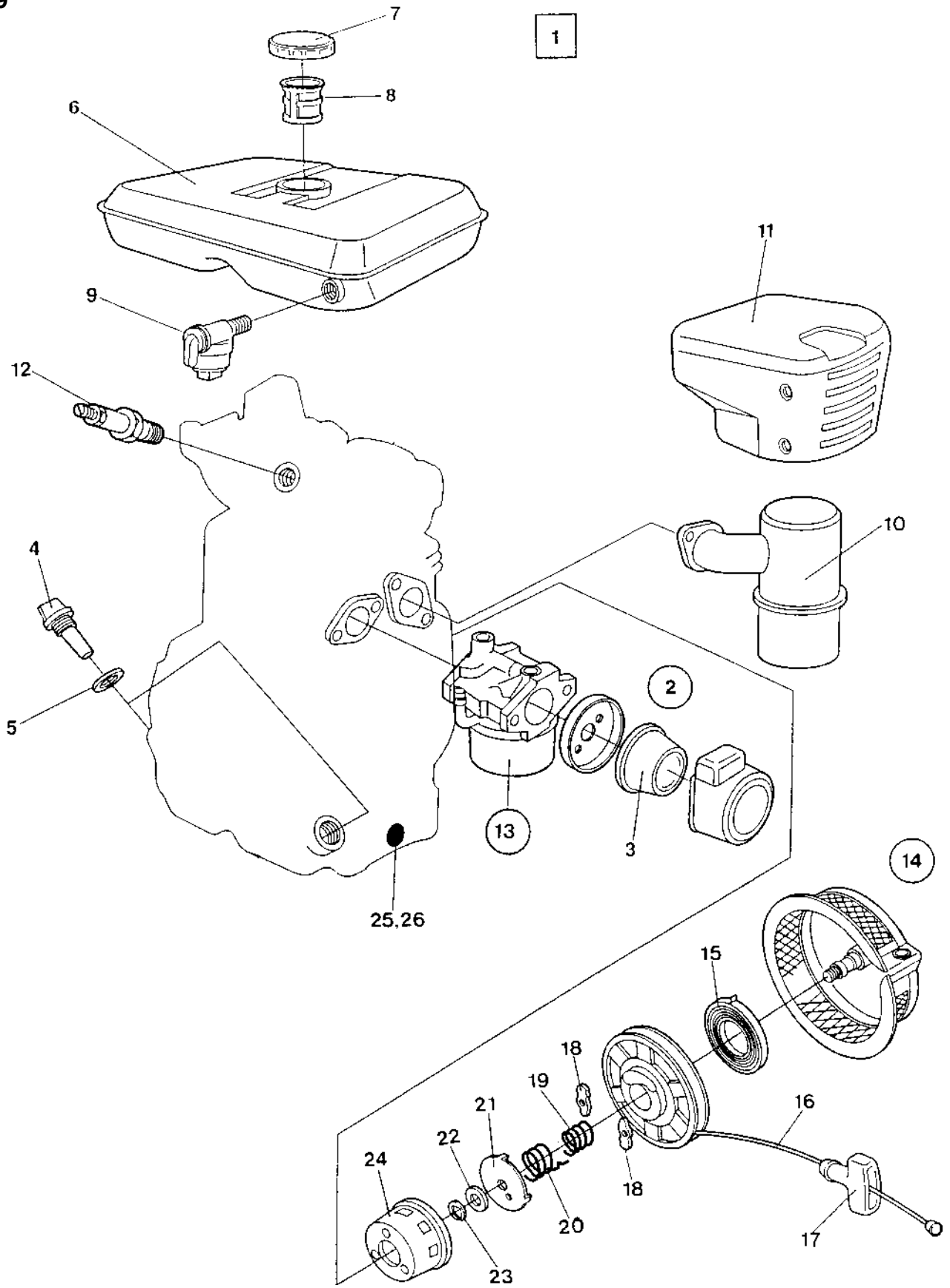
Ref. No.	Part No.	Rem.	Qty	Description	Code
1			1	Petrol engine	
2	239059		1	.Muffler	
	383031	A,B	1	Catalyser	
3	239060		1	.Muffler cover, upper	
4	239062		1	.Exhaust pipe	
5	238322		1	.Arrester, spark	
6	239063		1	.Gasket, muffler	
7	239323		1	.Air filter, cpl	A
8	239065		1	.Recoil starter, cpl	D
9	239374		1	..Starter rope	B
10	239375		1	..Spring	B
11	239376		1	..Reel	
12	239377		2	..Spring	
13	239378		2	..Ratchet	
14	239379		1	..Friction spring	
15	239380		1	..Guide	
16	239381		1	..Screw	
17	239391		1	..Handle	B
18	239321		1	.Fuel tank	
19	239324		1	.Fuel tank cap	D
20	238302		2	.Oil plug	D
21	238303		2	.Gasket	D
22	238306		1	.Oil plug	D
23	239067		1	.Oil alert	
24	239325		1	.Carburettor	
25	924842		1	.Spark plug	
26	238301		1	.Gasket	D
27	239664		1	.Gasket, cylinder head	D
28	570005		4	Nut M8	
29	904229		4	Washer 8,4x16x1,5	
30	904230		10	Washer 10,5x22x2	
31	100900128	C	4	Screw	
32			1	Oil drain, cpl	
33	100504811		1	.Hose connection	
34	313001		2	.Hose clamp	
35	100901382		1	.Hose	
36	281115		1	.Screw	
37		D	1	Washer	
38	281234		1	.Ryw-clips	
39	100504609		1	.Plug	

A) Option

B) Replaceable with muffler

C) Welved with engine plate

D) Not used in this model

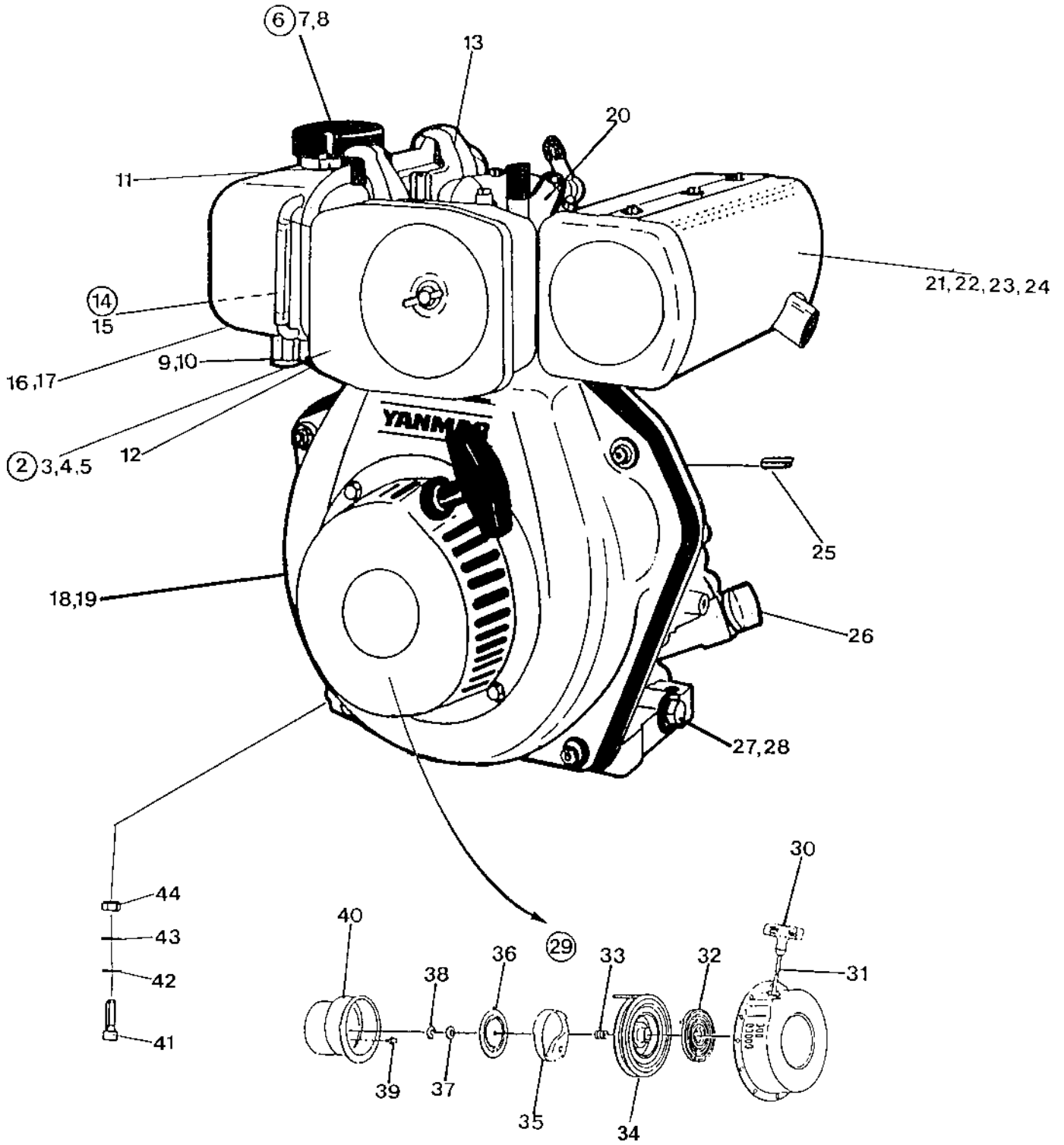


Ref. No.	Part No.	Rem.	Qty	Description	Code
1	281250	A,C	1	Engine	
2	921886		1	.Air cleaner assembly	
3	921887		1	..Air filter element	A
4	921880		2	.Oil dipstick	D
5	910267		2	.Gasket	
6	100901744		1	.Fuel tank	
7	922118		1	..Filler cap	D
8	910270		1	..Fuel strainer	A
9	929357		1	..Fuel cock	
10	929478			.Muffler	
11	929479		1	..Muffler cover	
12	471003		1	.Spark plug	A
13	238429		1	.Carburettor	
14	928986		1	.Recoil starter	D
15	920405		1	..Spring	B
16	920404		1	..Starter rope	B
17	922294		1	..Starter knob	B
18	920406		2	..Ratchet	
19	920407		1	..Friction spring	
20	920408		1	..Return spring	
21	920409		1	..Friction plate	
22	922142		1	..Washer	
23	920412		1	..Clip	
24	238326		1	..Starter ring	
25	910268		1	.Oil plug	D
26	910266		1	.Gasket	D

A) Shaft 20,00

C) Not used any more

1



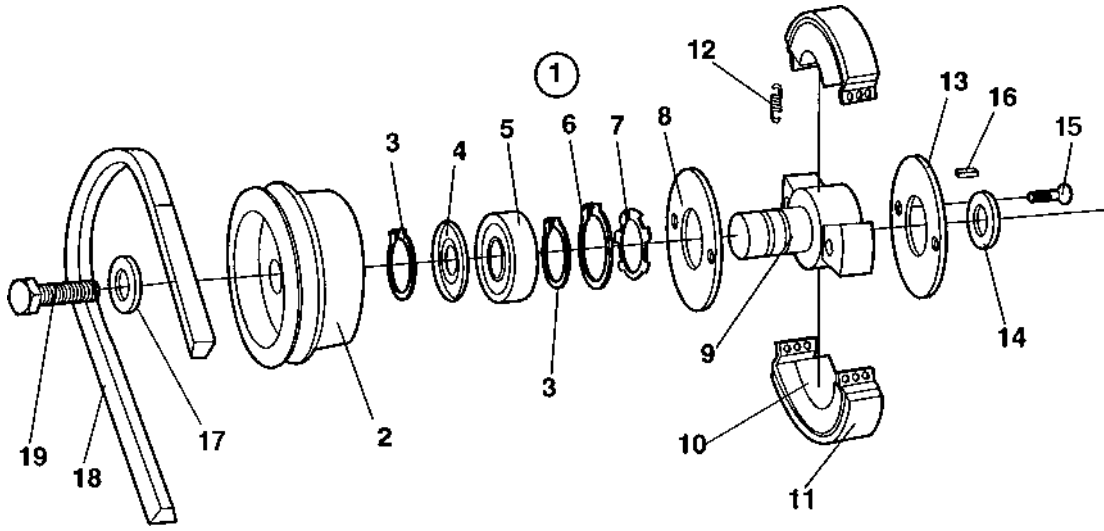
Ref. No.	Part No.	Rem.	Qty	Description	Code
1	282148	A	1	Engine	
2	239722		1	.Air cleaner assembly	
3	100901722		1	..Filter element	
4	239295		1	..Gasket	
5	239276		1	..Wing nut	
6	239198		1	.Fuel tank	
7	238457		1	..Filler cap	D
8	238458		1	..Fuel strainer	D
9	239307		1	..Sealing	
10	239308		1	..Screw	
11	239156		4	..Rubber protection	
12	239196		1	.Bracket	
13	239187		1	.Tank bracket, upper	
14	238459		1	.Fuel filter	A
15	239360		1	..Gasket, fuel filter	
16	239193		1	.Fuel cock cpl	
17	238460		1	..O-ring	
18	238454		1	.Oil filter	A
19	238455		1	..O-ring	A
20	238446		1	.Gasket, valve cap	D
21	239723		1	.Muffler	
22	239365		6	.Screw cover	
23	239366		1	.Gasket, muffler	
24	239724		1	.Muffler cap	
25	239298		1	.Key	
26	239362		2	.Oil dipstick	
27	238447		1	.Oil drain plug	
28	238448		1	.Sealing washer	
29	239005		1	.Starter assy, recoil	D
30	238450		1	..Knob recoil stater	B
31	238449		1	..Starter rope	B
32	238451		1	..Return spring	B
33	238453		1	..Spring	B
34	239352		1	..Reel	
35	238452		1	..Ratchet	
36	239355		1	..Friction plate	
37	239356		1	..Washer	
38	239357		1	..Circlip	
39	239361		3	..Screw	
40	239358		1	..Pulley	
41	500091		4	Screw M10-1,5x50 8,8	
42	615072		4	Washer	
43	615044		4	Conical spring washer	D
44	586018		4	Lock nut M10	

A) Not used any more



Power transmisson

Ref. No.	Part No.	Rem.	Qty	Description	Code
10				Clutch (Page 22)	



Clutch

Ref. No.	Part No.	Rem.	Qty	Description	Code
1	190100220		1	Clutch, cpl	
2	935770		1	.V-belt pulley	
3	938726		2	.Retaining ring	
4	938727		1	.Nilos ring	
5	938724		1	.Ball bearing	
6	938725		2	.Snap ring	
7	938532	A	1	.Retaining ring	
8	100901025	B	1	.Cover	
	239857	A	1	.Cover	
9	239856		1	.Hub	
10	912477		2	.Centrifugal weight	D
11	100901018		2	.Clutch lining	
12	912481	B	4	.Spring	B
	936902	A	4	.Spring	
13	912480		1	.Cover	
14		C	1	.Washer	
15	535002		2	.Screw	
16			1	Key	
17	100501029		1	Washer	
18	411033	D	1	V-belt	
	100901004	E	1	V-belt	
19	513003		1	Screw	

A) New model

B) Old model

C) Not used in this model

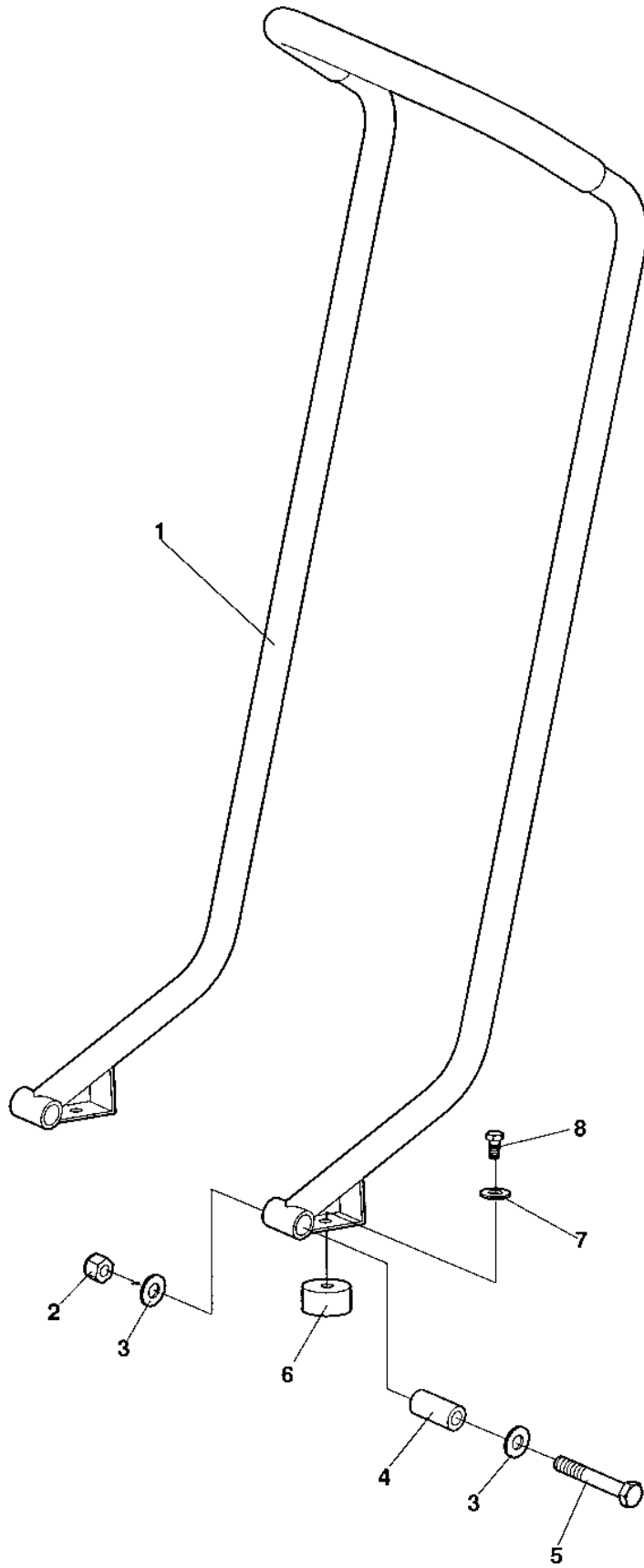
D) Engine Honda and Robin

E) Engine Yanmar



Handle

Ref. No.	Part No.	Rem.	Qty	Description	Code
10				Handle (Page 26)	



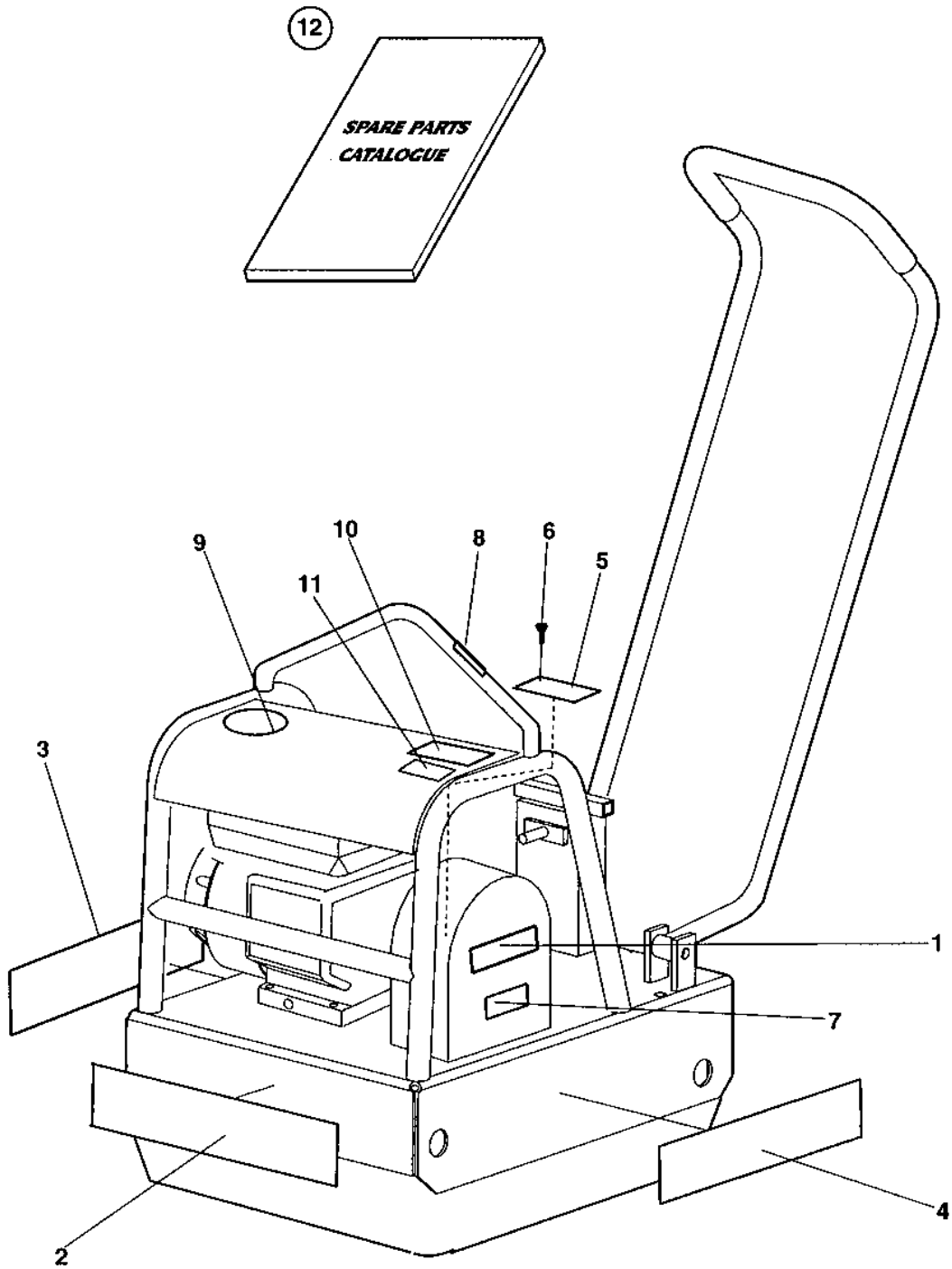
Handle

Ref. No.	Part No.	Rem.	Qty	Description	Code
1	100501213		1	Handle	
2	581012		2	Nut	
3	904230		4	Washer 10,5x22x2	
4	100501217		2	Bushing	
5	500033		2	Screw M10-1,5x60 8,8	
6	100501227		2	Shock absorber	
7	904229		2	Washer 8,4x16x1,5	
8	500018		2	Screw M8-1,25x12 8,8	



Decals and documentation

Ref. No.	Part No.	Rem.	Qty	Description	Code
10				Decals and documentation (Page 30)	



Decals and documentation

Ref. No.	Part No.	Rem.	Qty	Description	Code
1	100501275		1	Decal, Tremix	
2	100501276		1	Decal, Tremix	
3	100501366		1	Decal, model code	
4	100501367		1	Decal, model code	
5	100504810	D	1	Identification plate	
	385135SE		1	Identification plate	
6	527002		4	Drive screw	
7	903832	A	1	Safety decal	
8	281269		2	Decal "LIFT"	
9	281898		1	Decal, ear protection	
10	904680		1	Decal "Read instruction manual"	
11	791295		1	Decal "Sound power level"	
12		A		Documentation	
			1	.Instruction book, engine	
			1	.Operation and maintenance IMV140	
			1	.Spareparts catalogue SMV140	

SMV140

A) Engine Honda

D) Used in old model

NUMERICAL INDEX

Part Number	Page	Part Number	Page	Part Number	Page
100 501330	7	239193	19	910270	17
100500161	7	239196	19	912477	23
100501029	23	239198	19	912480	23
100501108	11	239276	19	912481	23
100501213	27	239295	19	920404	17
100501215	7	239298	19	920405	17
100501217	27	239307	19	920406	17
100501226	7	239308	19	920407	17
100501227	27	239321	15	920408	17
100501275	31	239323	15	920409	17
100501276	31	239324	15	920412	17
100501282	7	239325	15	921880	17
100501283	7	239352	19	921886	17
100501301	7	239355	19	921887	17
100501302	7	239356	19	922118	17
100501309	11	239357	19	922142	17
100501312	11	239358	19	922294	17
100501315	7	239360	19	924842	15
100501316	7	239361	19	928986	17
100501318	7	239362	19	929357	17
100501347	7	239365	19	929478	17
100501366	31	239366	19	929479	17
100501367	31	239374	15	935770	23
100502016	11	239375	15	936902	23
100504609	15	239376	15	938532	23
100504810	31	239377	15	938724	23
100504811	15	239378	15	938725	23
100507040	7	239379	15	938726	23
100570006	7	239380	15	938727	23
100900128	15	239381	15	SMV140	31
100900426	7	239391	15		
100900711	11	239664	15		
100900807	7	239722	19		
100900811	7	239723	19		
100901004	23	239724	19		
100901018	23	239856	23		
100901025	23	239857	23		
100901382	15	244008	7		
100901607	7	281115	15		
100901722	19	281234	15		
100901744	17	281250	17		
111093	11	281269	31		
134007	11	281898	31		
150110300	11	282148	19		
150110301	11	313001	15		
150136400	7	350030	11		
190100220	23	383031	15		
238301	15	385135SE	31		
238302	15	411033	23		
238303	15	471003	17		
238306	15	500018	7,27		
238322	15	500021	11		
238326	17	500033	27		
238429	17	500035	7		
238446	19	500048	7		
238447	19	500091	19		
238448	19	500117	11		
238449	19	513003	23		
238450	19	513022	7		
238451	19	527002	31		
238452	19	535002	23		
238453	19	570005	15		
238454	19	581012	27		
238455	19	586018	19		
238457	19	600006	11		
238458	19	615044	7,19		
238459	19	615072	19		
238460	19	630012	7		
239005	19	791295	31		
239059	15	903832	31		
239060	15	904229	7,15,27		
239062	15	904230	7,15,27		
239063	15	904231	7,11		
239065	15	904680	31		
239067	15	910266	17		
239156	19	910267	17		
239187	19	910268	17		

